

Costing for: **Typical Flue Detail Costing**  
House type House With 200mm I.D. Flue  
Customer ref. Chimney Height 8008mm  
Site  
Plot number

Costing ref **SJ Stove-8m-offset-23A**  
Date 18 October 2023  
By SJ  
Price list October 2023

**Components**

**Dunbrik A1 concrete flue liner system**

	<b>Product code</b>	<b>Qty</b>	<b>Prices each</b>	<b>Disc %</b>	<b>Cost £</b>
Fireplace recess closure block 215mm x 552mm x 65mm	FRCB215	2	11.36		22.72
Fireplace recess closure block 110mm x 552mm x 65mm	FRCB110	2	8.77		17.54
Stove connection block 552mm x 552mm x 150mm	200SCB	1	145.80		145.80
200mm flue liner bend 22.5 degrees	200B	2	18.29		36.58
200mm flue liner 600mm tall	200L600	9	18.74		168.66
200mm flue liner 230mm tall	200L230	2	11.21		22.42
200mm flue liner 150mm tall	200L150	3	8.85		26.55
Cannon pot 450mm tall red	Cann450R	1	50.90		50.90
Flue liner sealant 310ml	Dunseal	6	6.68		40.08
Infill aggregate 22kg mix for void	Dunfil	24	6.98		167.52
Flue notice plate	Plate	1	7.73		7.73
Topguard birdguard cowl 260 tall red	TG260R	1	101.36		101.36

**Total for system components**

Cost ex-works	<b>807.86</b>
Delivery charge	<b>60.00</b>
Goods	<b>£ 867.86</b>
VAT @ 20%	<b>173.57</b>
<b>Total</b>	<b>£ 1,041.43</b>

**Additional products (if required)**

Stove pipe adaptor for 200SCB (155mm to 200mm)	13060888	1	147.40		147.40
Smoke pellet tube	Smoke	1	11.34		11.34
310ml Skeleton Gun	Sealgun	1	6.40		6.40
Red polypropylene air brick 220mm x 72mm	REDG930	2	0.92		1.84
High impact styrene black cavity sleeve 218mm x 72mm	CSG935	2	5.03		10.06

Plus VAT @ 20%

All prices are ex-works, valid for 30 days and are subject to VAT.

Free delivery for orders over £1,000 nett invoice value (ex-Vat) to UK mainland excluding the Highlands of Scotland (POA).

All trading is subject to our standard conditions of sale (copy available).

**Notes**

This flue costing is based on information provided. Please have your architect check the costing to your drawings prior to ordering, to ensure that it meets with your requirements. Please also check the pot/terminal style and colour.

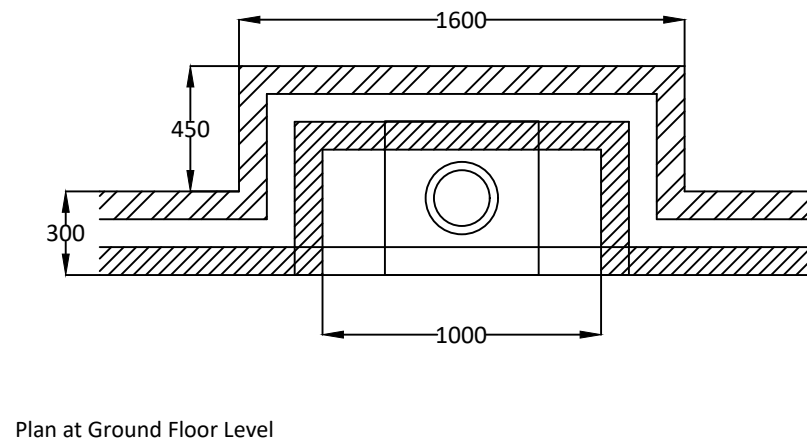
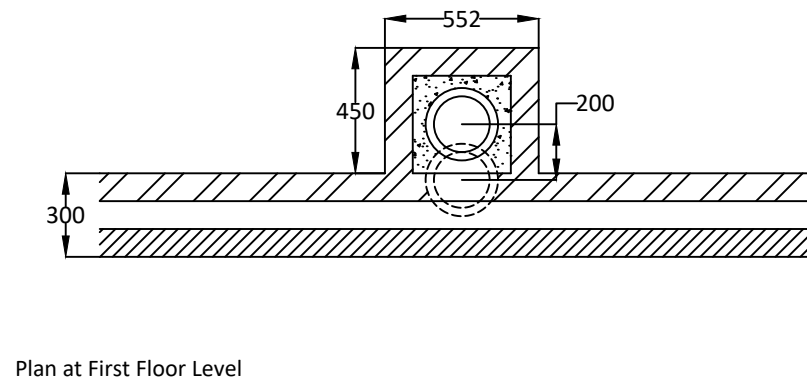
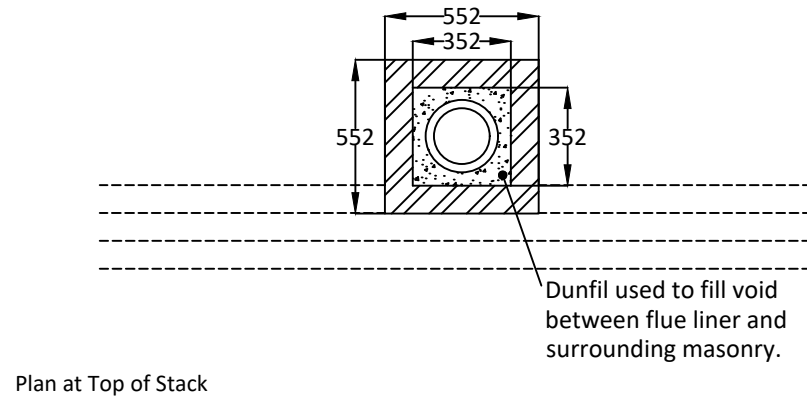
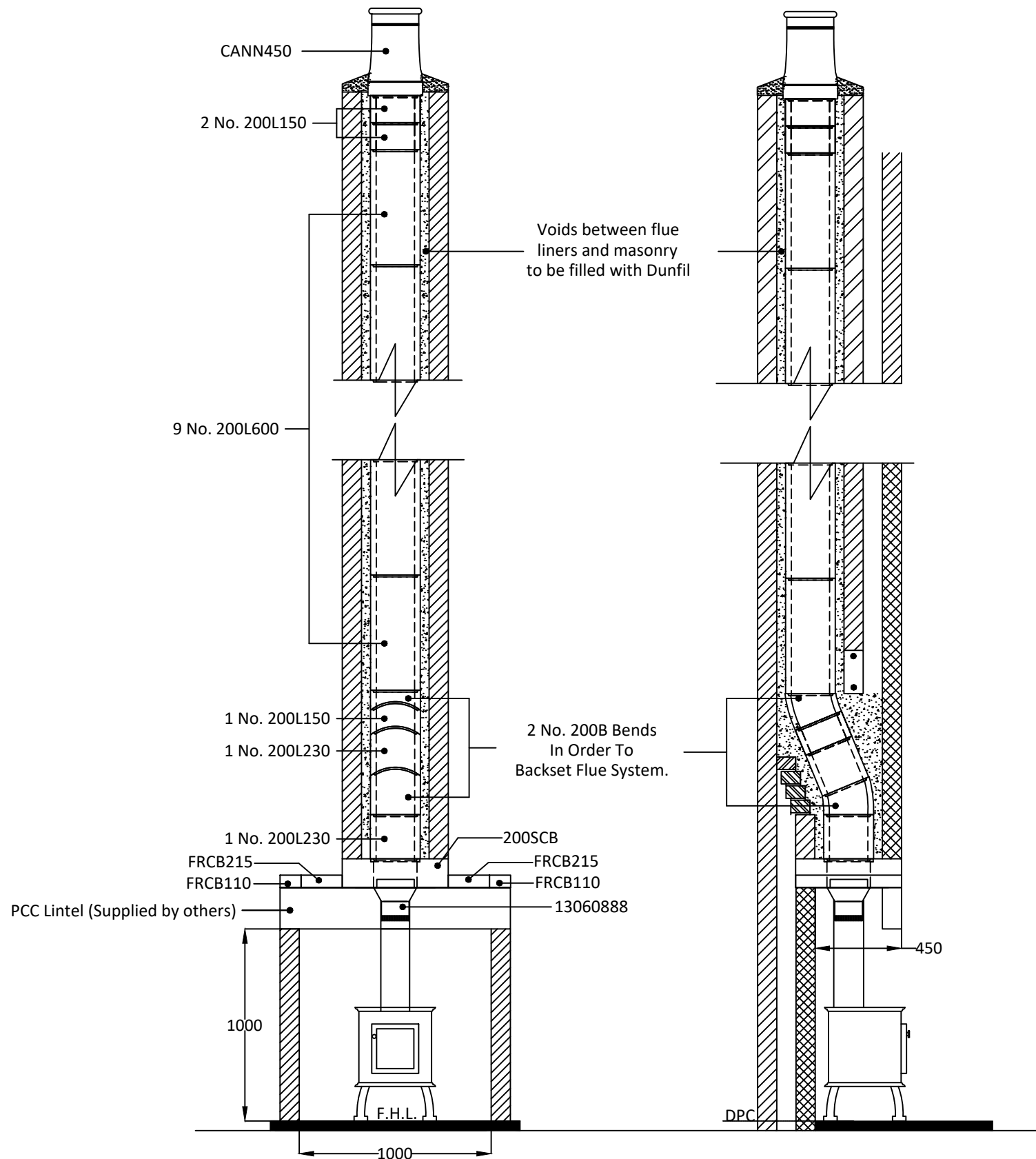
For construction guidance refer to the flue illustration and the installation guide available on our website: [dunbrikflues.co.uk](http://dunbrikflues.co.uk)

**The infill is based on a 352mm x 352mm void between the liners and masonry**

Please ensure that the flue and chimney are constructed in accordance with Building regulations part J

**Notes**

Please note the fireplace recess closure blocks are a non-load bearing unit.



Please have your architect check this estimate to your drawings to ensure it meets both your requirements and current building regulations, british standards and codes of practice.

