



8i bVf] 5%7cbWYH: i Y@bYfg
 IRU GRPHVWLF FKLPQH\ \V
 : i Y7cghb[
 PP LG

HY: 'S% & (' + ' *- (
 (PDLO WHFK#GXQEULN FR
 :HE ZZZ GXQEULN FR XN

&RVWLQJ HhRU: i Y8YH] 7cghb[
 +RXVH W\SH +RXVH ZLWK PP , ')OXH
 &XVWRPHU UHI &KLPQH\ +HLJKW
 6LWH
 3ORW QXPEHU

&RVWLQJ J ghjY! *a !ghfU[\HZYY! & 6
)HE'DXVHU\
 %\ 6 -
 3UL2FW Q EHW

7ca dcbYblg

DfcXi Wl
 WXY

Elm

Df]Wg
 YUW

7cgh
 œ

%RLOHU VWRYH FRQQHFWRQ EORFN DW GHJ
 PP IOXH OLQHU PP WDOO
 PP IOXH OLQHU PP WDOO
)OXH OLQHU VHDODQW PO
 ,QILOO DJJUHJDWH NJ PL[IRU YRLG

&
 /
 /
 'XQVHDO
 'XQILO

&DQQRQ SRW PP WDOO UHG
 7RSJXDUG ELUGJXDUG FRZO WDOO UHG
 6PRNH SHOOHW WXE
)OXH QRWLFH SODWH
 PO 6NHQWRQ *XQ
 5HG SRO\SURS\OHQH DLU EULFN PP [PP
 +LJK LPSDFW VW\UHQH EODFN FDYLW\ VOHHYH
 6PRNH SHOOHW WXE

&DQQ 5
 7* 5
 6PRNH
 3ODWH
 6HDOJXQ
 5(' *
 &B*[PP
 6PRNH

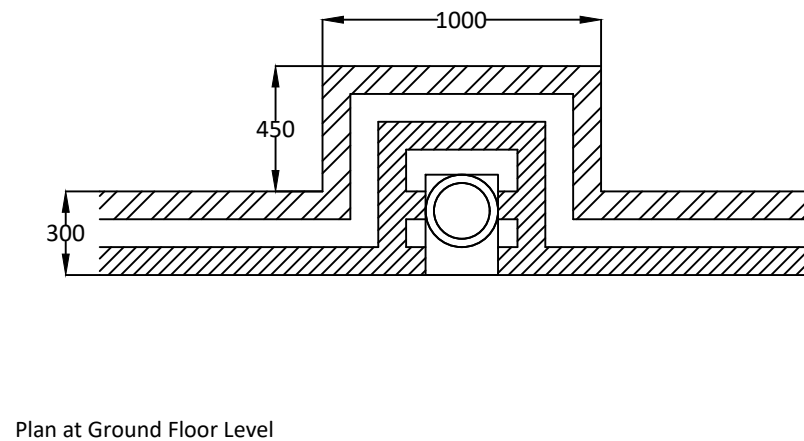
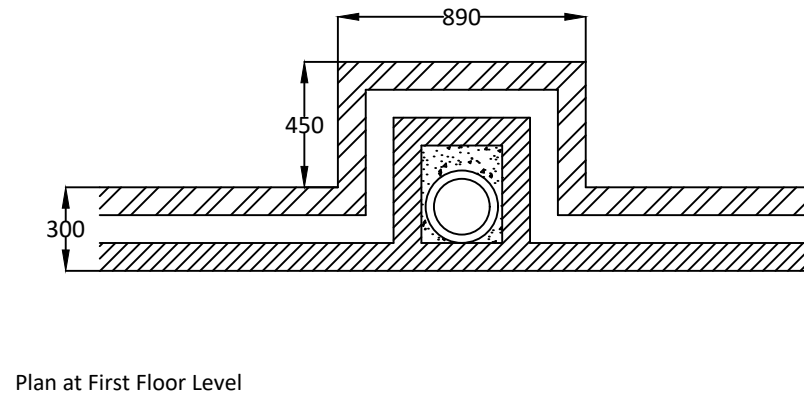
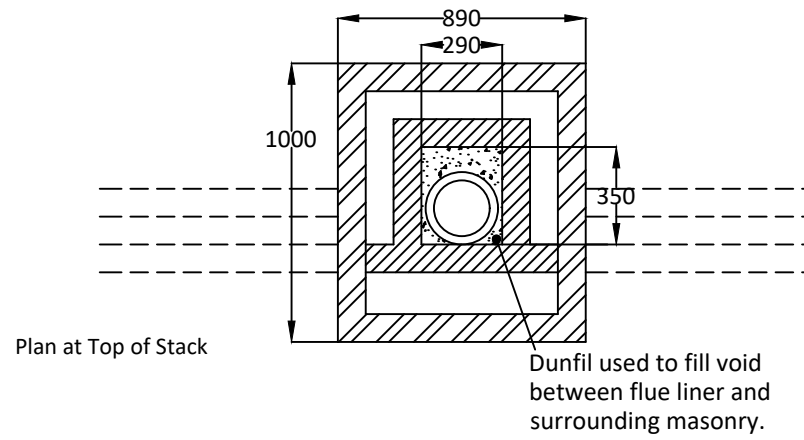
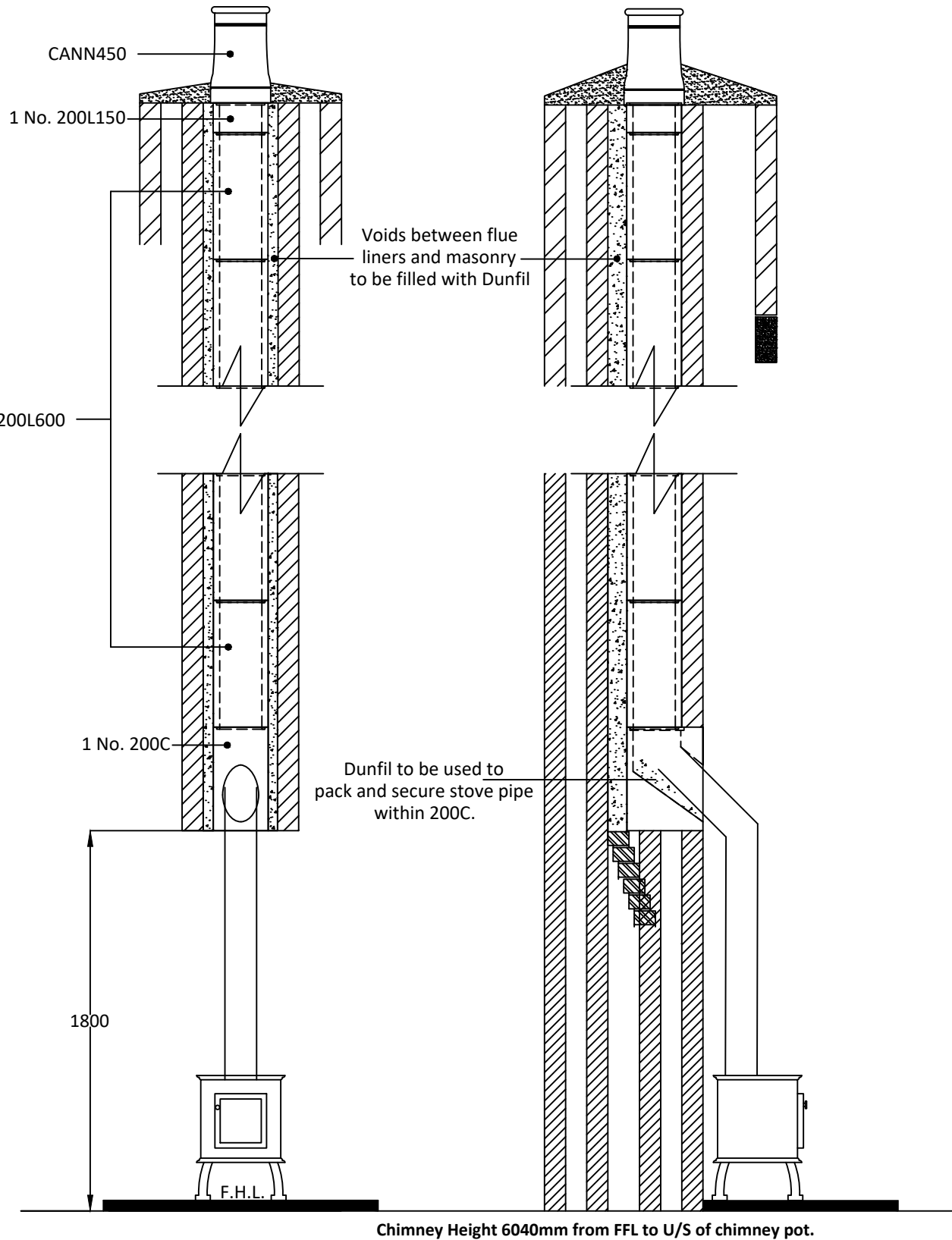
\$OO SULFHV DUH H[ZRUNV YDOLG IRU GD\ DQG DUH VXEMHFW WR 9\$7 œ +*%&
 &KDUJH IRU LQGLYLGXDOO\ SORWWLQJ PXOWLSOH IOXH RUGHUV LV ... SHU SORW
)UHH GHOLYHU\ IRU RUGHUV RYHU ... QHWW LQYRLFH YDOXH H[9DW WR 8. PDLQODQ
 \$OO WUDGLQJ LV VXEMHFW WR RXU VWDQGDUG FRQGLWLRQV RI VDOH FRS\ DYDLODEOH

Bclhg

7KLV IOXH FRVWLQJ LV EDVHG RQ LQIRUPDWLRQ SURYLGHG 3OHDVH KDYH \
 WR HQVXUH WKDW LW PHHWV ZLWK \RXU UHTXLUHPHQWV 3OHDVH DOVR FKHFN WKH SRV
)RU FRQVWUXFWLRQ JXLGDQFH UHIHU WR WKH IOXH LOOXVWUDWLRQ DQG WKH LQVWDOOD
 HAY]bZ ``lgVUgYXcbU& Sa a l ") Sa a jc]XVYk Yb h Y`bYfgUbXa Ugcbfm
 3OHDVH HQVXUH WKDW WKH IOXH DQG FKLPQH\ DUH FRQVWL
 'XQEULN <RUNV /WG)HUU\ /DQH 6WDQOH\ :DNHILHOG :) /7 5HJLVWHUHG LQ (Q

Notes

Chimney Height from FFL to underside of chimney pot.



Please have your architect check this typical flue illustration to your drawings to ensure it meets both your requirements and current building regulations.

ALL DIMENSIONS ARE SHOWN IN MILLIMETRES NOT TO SCALE

