



8i bVf\_ '5%7cbWYH: i Y@bYfg  
 IRU GRPHVWLF FKLPQH\ \V  
 : i Y7cghb[  
 PP LG

HY: 'S% & (' + ' \*- (  
 (PDLO WHFK#GXQEULN FR  
 :HE ZZZ GXQEULN FR XN

&RVWLQJ HIRU: i Y8YHJ '7cghb[  
 +RXVH W\SH +RXVH ZLWK PP , ' )OXH  
 &XVWRPHU UHI &KLPQH\ +HLJKW PP  
 6LWH  
 3ORW QXPEHU

&RVWLQJ J bHjM! \*a !ghfU[ \H&g]XX!& 6  
 )HE'UXVHU\  
 %\ 6-  
 3UL2FW Q EHW

7ca dcbYblg

DfcXi Wl  
 WXY

Elm

Df]Wg  
 YUW

'7cgh  
 œ

)LUHSODFH UHFHVV FORVXUH EORFN PP [ PP ]5 & %P  
 )LUHSODFH UHFHVV FORVXUH EORFN PP [ PP ]5 & %P  
 6WRYH FRQQHFWLRQ EORFN 6 & %  
 PP IOXH OLQHU PP WDOO /  
 PP IOXH OLQHU PP WDOO /  
 PP IOXH OLQHU PP WDOO /  
 )OXH OLQHU VHDODQW PO 'XQVHDO  
 ,QILOO DJJUHJDWH NJ PL[ IRU YRLG 'XQILO

&DQQ 5  
 7\* 5  
 6PRNH  
 3ODWH  
 6HDOJXQ  
 5('\*  
 &B\*[ PP  
 6PRNH

&DQQRQ SRW PP WDOO UHG  
 7RSJXDUG ELUGJXDUG FRZO WDOO UHG  
 6PRNH SHOOHW WXEH  
 )OXH QRWLFH SODWH  
 6WRYH SLSH DGDSWRU IRU 6 & % PP WR PP  
 PO 6NHOHWRQ \*XQ  
 5HG SRO\SURS\OHQH DLU EULFN PP [ PP  
 +LJK LPSDFW VW\UHQH EODFN FDYLW\ VOHHYH  
 6PRNH SHOOHW WXEH

\$OO SULFHV DUH H[ ZRUNV YDOLG IRU GD\ DQG DUH VXEMHFW WR 9\$7 œ %S+!\* (  
 &KDUJH IRU LQGLYLGXDOO\ SORWWLQJ PXOWLSOH IOXH RUGHUV LV ... SHU SORW  
 )UHH GHOLYHU\ IRU RUGHUV RYHU ... QHWW LQYRLFH YDOXH H[ 9DW WR 8. PDLQODQ  
 \$OO WUDGLQJ LV VXEMHFW WR RXU VWDQGDUG FRQGLWLRQV RI VDOH FRS\ DYDLODEOH

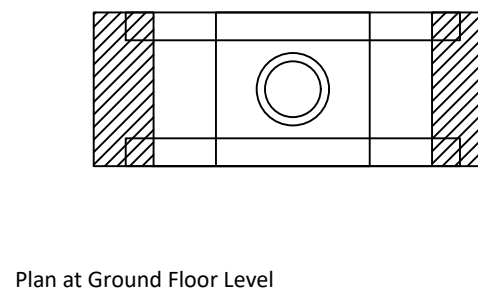
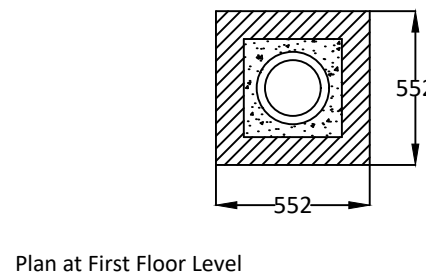
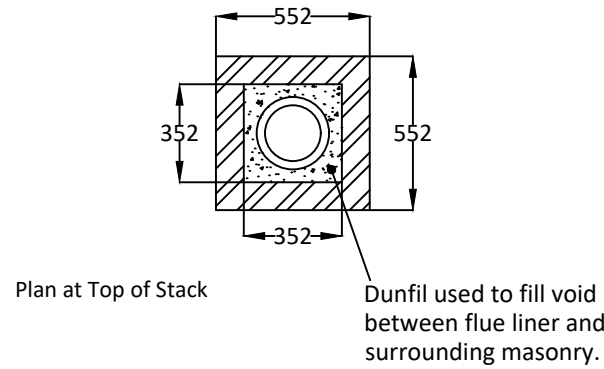
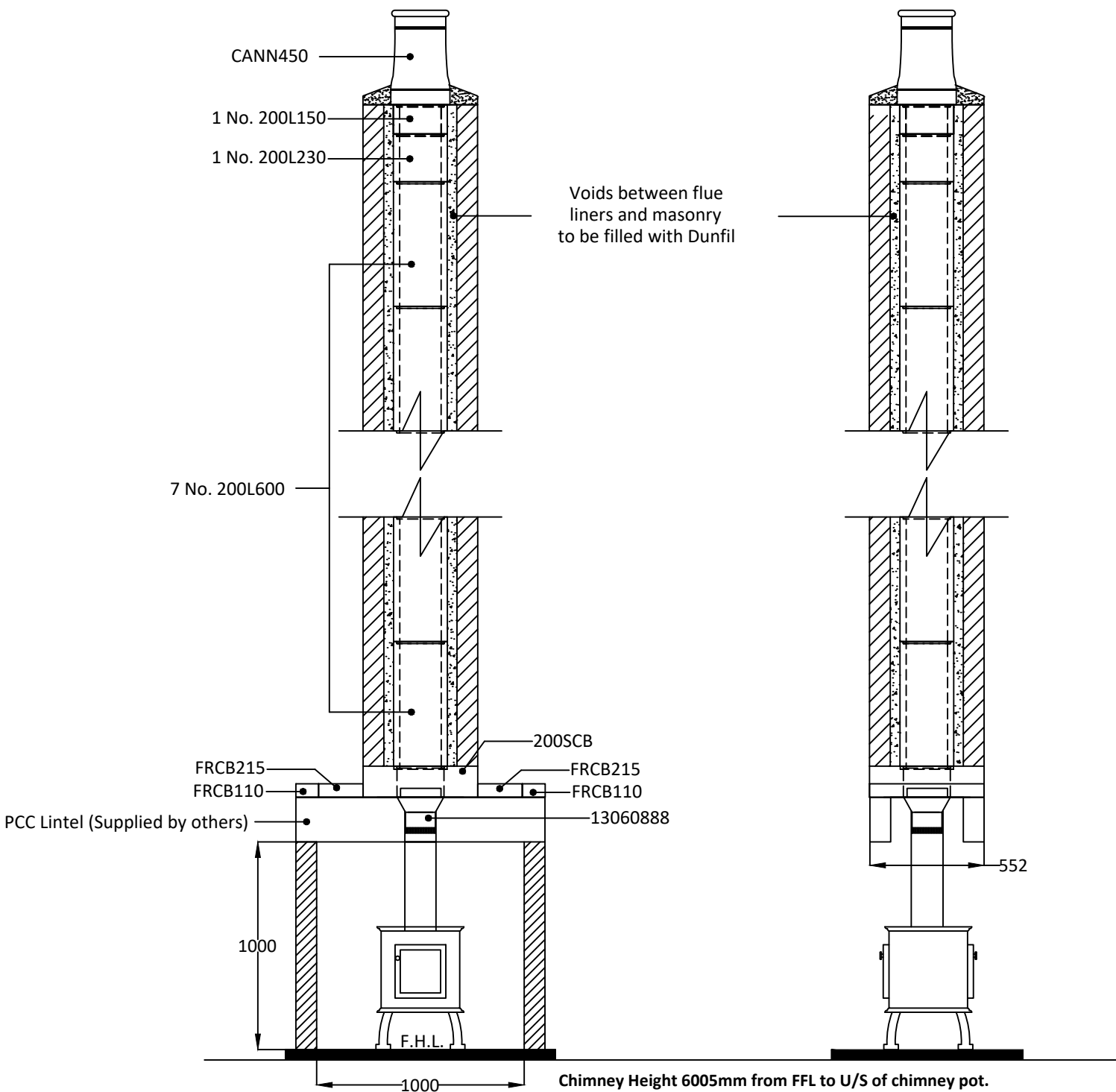
Bclhg

7KLV IOXH FRVWLQJ LV EDVHG RQ LQIRUPDWLRQ SURYLGHG 3OHDVH KDYH \  
 WR HQVXUH WKDW LW PHHWV ZLWK \RXU UHTXLUPHQWV 3OHDVH DOVR FKHFN WKH SRV  
 )RU FRQVWUXFWLRQ JXLGDQFH UHIHU WR WKH IOXH LOOXVWUDWLRQ DQG WKH LQVWDOOD  
 HAY]bZ ``]g'VUgYXcbU') &a a l ") &a j c]XVYk Yb h Y ``]bYfg'UbXa Ugcbfm  
 3OHDVH HQVXUH WKDW WKH IOXH DQG FKLPQH\ DUH FRQVWL  
 'XQEULN <RUNV /WG )HUU\ /DQH 6WDQOH\ :DNHILHOG :) /7 5HJLVWHUHG LQ (Q

**Notes**

Please note the fireplace recess closure blocks frcb215/110 are a non-load bearing unit.

Chimney Height from FFL to underside of chimney pot.



Please have your architect check this typical flue illustration to your drawings to ensure it meets both your requirements and current building regulations.

ALL DIMENSIONS ARE SHOWN IN MILLIMETRES NOT TO SCALE

