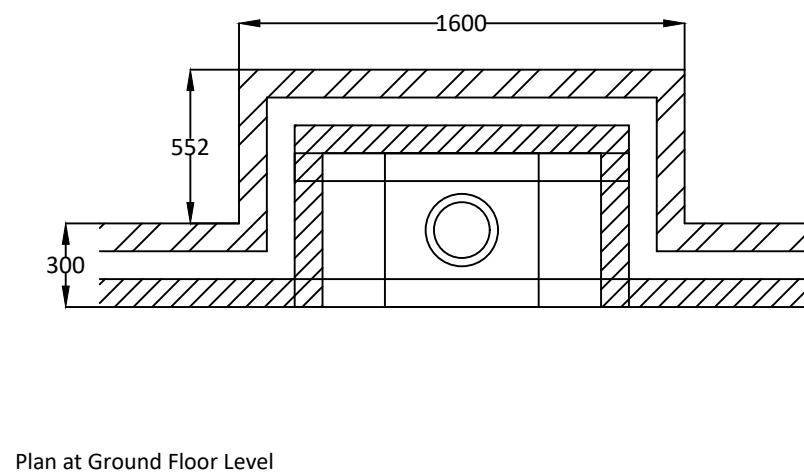
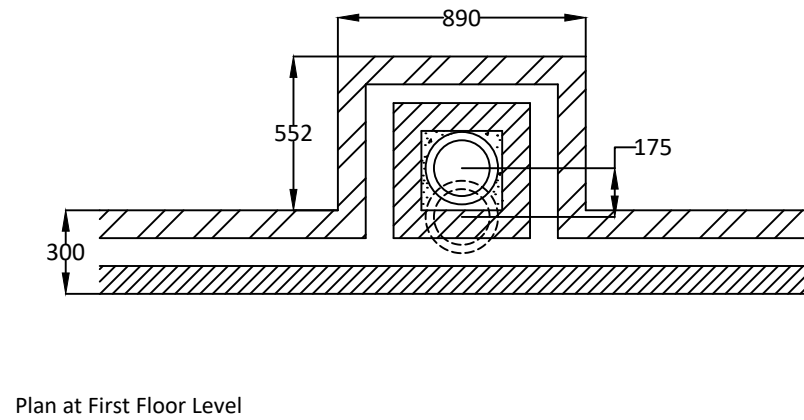
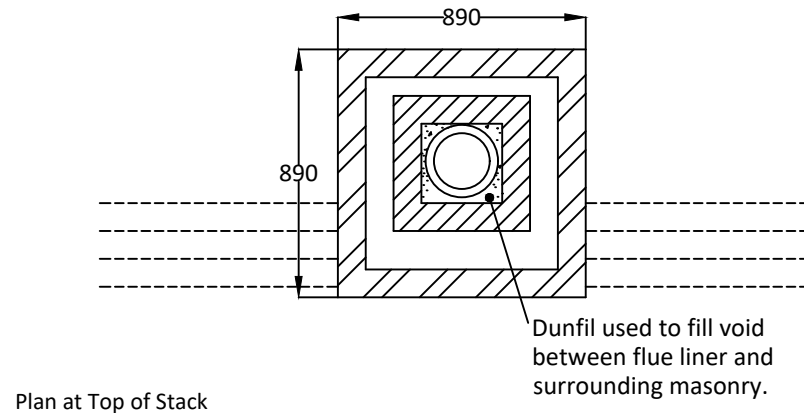
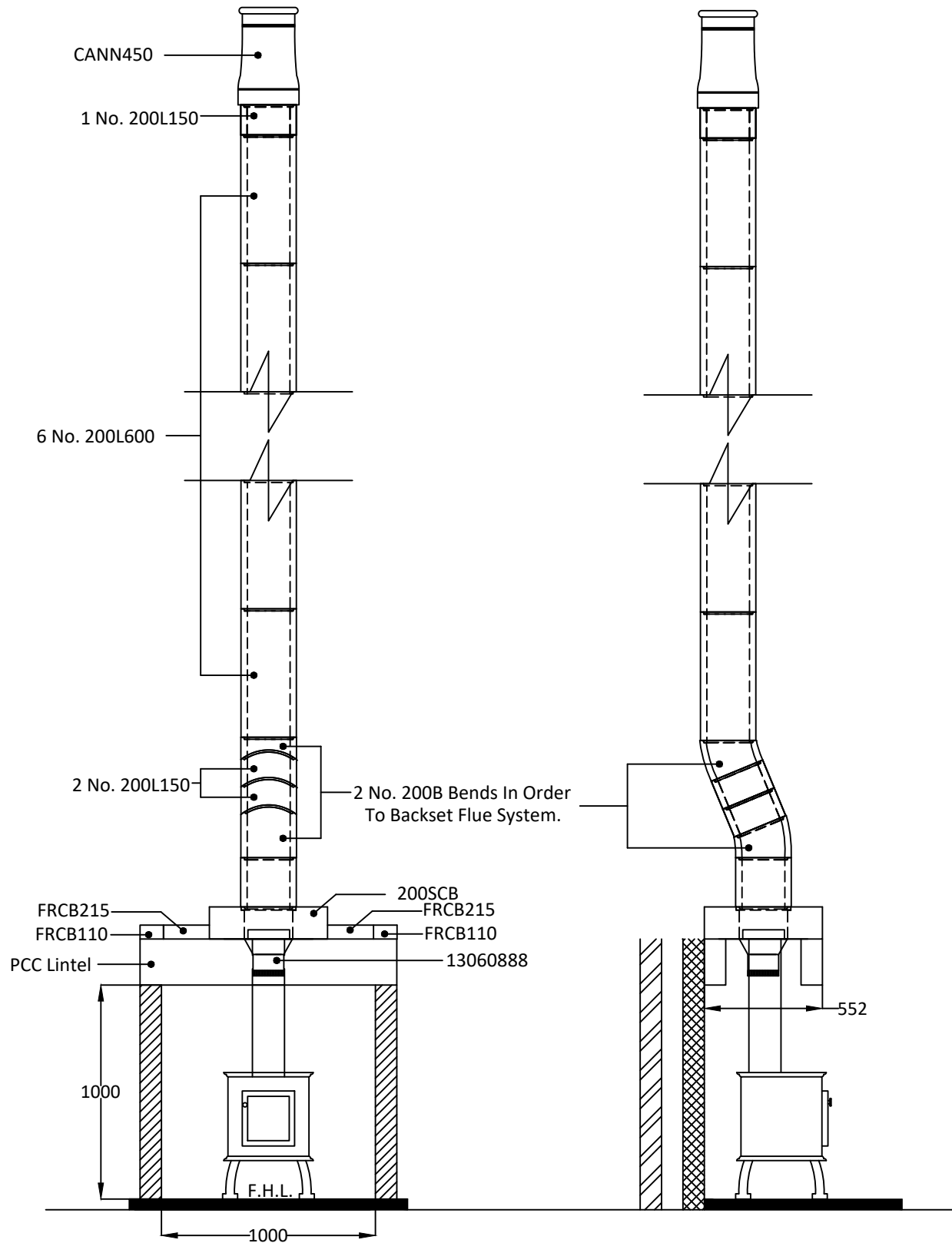


Notes

Please note the fireplace recess closure blocks are a non-load bearing unit.

Chimney Height from FFL to underside of chimney pot.



Please have your architect check this estimate to your drawings to ensure it meets both your requirements and current building regulations, british standards and codes of practice.

ALL DIMENSIONS ARE SHOWN IN MILLIMETRES NOT TO SCALE

Costing for: **Typical System Price**

House type 200mm I.D. flue for stove appliance with offset.
Customer ref. Chimney height 5998mm from ffl to u/s chimney pot, offset 200mm
Site
Plot number

Costing ref **stove-6m-offset-deep**

Date 25 November 2021

By

Price list October 2021

Components	Product code	Qty	Prices each	Cost £
Support lintels supplied by others	n/a			
Fireplace recess closure block 215mm x 552mm x 65mm	FRCB215	2	11.36	22.72
Fireplace recess closure block 110mm x 552mm x 65mm	FRCB110	2	8.77	17.54
Stove connection block 552mm x 552mm x 150mm	200SCB	1	145.80	145.80
200mm flue liner bend 22.5 degrees	200B	2	18.29	36.58
200mm flue liner 600mm tall	200L600	6	18.74	112.44
200mm flue liner 230mm tall	200L230	1	11.21	11.21
200mm flue liner 150mm tall	200L150	3	8.85	26.55
Flue liner sealant 310ml	Dunseal	4	6.68	26.72
Infill aggregate 22kg mix for void	Dunfil	20	13.92	278.40
Cannon pot 450mm tall red	Cann450R	1	50.90	50.90
Topguard birdguard cowl 260 tall red	TG260	1	101.36	101.36
Smoke pellet tube	Smoke	1	11.34	11.34
Flue notice plate	Plate	1	7.73	7.73
Stove pipe adaptor for 200SCB (155mm to 200mm)	13060888	1	147.40	147.40
310ml Skeleton Gun	Sealgun	1	6.40	6.40
Red polypropylene air brick 220mm x 72mm	REDG930	2	0.92	1.84
High impact styrene black cavity sleeve 218mm x 72mm	CSG935	2	5.03	10.06
			Cost ex-works *	1014.99
			Delivery charge	95.00
			Goods	£ 1,109.99
			VAT @ 20%	222.00
			Total	£ 1,331.99
<p>All prices are ex-works, valid for 30 days and are subject to VAT. Free delivery for orders over £1,700 goods value to UK mainland excluding the Scottish Highlands (POA). All trading is subject to our standard conditions of sale (copy available).</p>				
Notes				
<p>This flue costing is based on information provided. Please have your architect check the costing to your drawings prior to ordering. to ensure that it meets with your requirements. Please also check the pot/terminal style and colour. For construction guidance refer to the flue illustration and the installation guide available on our website www.dunbrikflues.co.uk</p> <p>Please ensure that the flue and chimney are constructed in accordance with Building regulations part J</p>				
<p>Dunbrik (Yorks) Ltd 172 Ferry Lane, Stanley, Wakefield WF3 4LT - Registered in England 419512</p>				

