



8i bVf\_ '5%7cbWYH: i Y@bYfg  
 IRU GRPHVWLF FKLPQH\ \V  
 : i Y7cghb[  
 PP LG

HY: 'S% & (' + ' \*- (  
 (PDLO WHFK#GXQEULN FR  
 :HE ZZZ GXQEULN FR XN

&RVWLQJ HhRU: i Y8YHJ '7cghb[  
 +RXVH WISH +RXVH ZLWK PP , ' )OXH  
 &XVWRPHU UHI &KLPQH\ +HLJKW PP  
 6LWH  
 3ORW QXPEHU

&RVWLQJ J ghjY! \*a !cZgYHXYd! & 6  
 )HE'UXVHU\  
 %\ 6-  
 3UL2FW Q EHW

7ca dcbYblg

DfcXi Wl  
 WXY

Elm

DfjWg  
 YUW

'7cgh  
 œ

)LUHSODFH UHFHVV FORVXUH EORFN PP [ PP ]5 & %P  
 )LUHSODFH UHFHVV FORVXUH EORFN PP [ PP ]5 & %P  
 6WRYH FRQQHFWLRQ EORFN 6 & %  
 PP IOXH OLQHU EHGG GHJUHHV %  
 PP IOXH OLQHU PP WDOO /  
 PP IOXH OLQHU PP WDOO /  
 PP IOXH OLQHU PP WDOO /  
 )OXH OLQHU VHDODQW PO 'XQVHDO  
 ,QILOO DJJUHJDWH NJ PL[ IRU YRLG 'XQILO

&DQQ 5

&DQQRQ SRW PP WDOO UHG  
 7RSJXDUG ELUGJXDUG FRZO WDOO UHG  
 6PRNH SHOOHW WXE  
 )OXH QRWLFH SODWH  
 6WRYH SLSH DGDSWRU IRU 6 & % PP WR PP  
 PO 6NHOHWRQ \*XQ  
 5HG SRO\SURS\OHQH DLU EULFN PP [ PP  
 +LJK LPSDFW VW\UHQH EODFN FDYLV\ VOHHYH  
 6PRNH SHOOHW WXE

7\* 5

6PRNH

3ODWH

6HDOJXQ

5('\*

BB\*[ PP

6PRNH

&RVW H[ ZRUNV , \$ "++

'HOLYHU\ FKDUJH\*\$SS

\*RRGV œ , \* "++

9\$7 # %(&+)

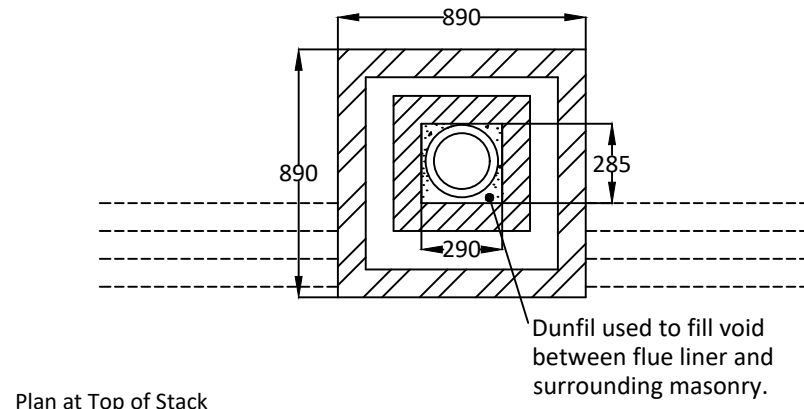
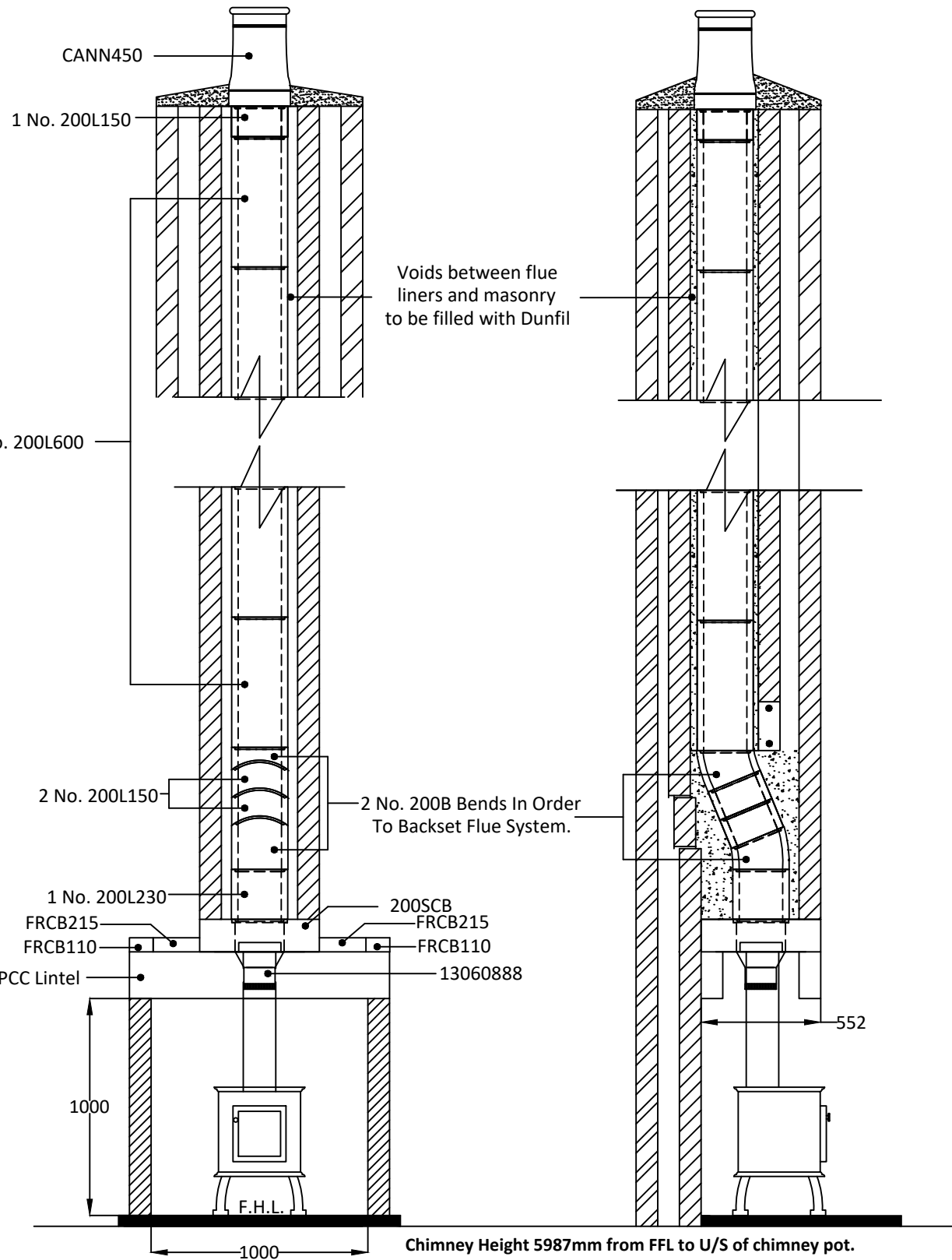
\$OO SULFHV DUH H[ ZRUNV YDOLG IRU GD\ DQG DUH VXEMHFW WR 9\$7 œ %(&\*) &  
 &KDUJH IRU LQGLYLGXDOO\ SORWWLQJ PXOWLSOH IOXH RUGHUV LV ... SHU SORW  
 )UHH GHOLYHU\ IRU RUGHUV RYHU ... QHWW LQYRLFH YDOXH H[ 9DW WR 8. PDLQODQ  
 \$OO WUDGLQJ LV VXEMHFW WR RXU VWDQGDUG FRQGLWLRQV RI VDOH FRS\ DYDLODEOH

BclHg

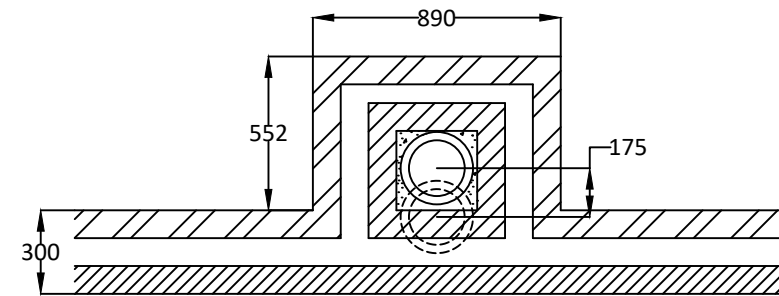
7KLV IOXH FRVWLQJ LV EDVHG RQ LQIRUPDWLRQ SURYLGHG 3OHDVH KDYH \  
 WR HQVXUH WKDW LW PHHWV ZLWK \RXU UHTXLUHPHQWV 3OHDVH DOVR FKHFN WKH SRV  
 )RU FRQVWUXFWLRQ JXLGDQFH UHIHU WR WKH IOXH LOOXVWUDWLRQ DQG WKH LQVWDOOD  
 HAY\ bZ `` jg VUgYXcbU& Sa a l & ) a a j c XVYk Yb h Y `` bYfg UbXa Ugcbfm  
 3OHDVH HQVXUH WKDW WKH IOXH DQG FKLPQH\ DUH FRQVWL  
 'XQEULN <RUNV /WG )HUU\ /DQH 6WDQOH\ :DNHILHOG :) /7 5HJLVWHUHG LQ (Q

**Notes**

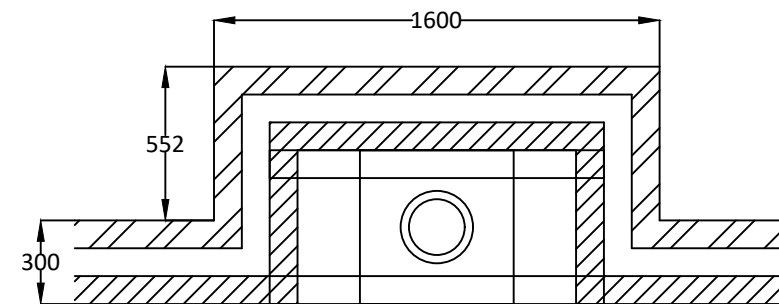
Please note the fireplace recess closure blocks are a non-load bearing unit.



Plan at Top of Stack



Plan at First Floor Level



Plan at Ground Floor Level

Dunbrik A1 Concrete Flue Liner System to BS EN 1857

Please have your architect check this typical flue illustration to your drawings to ensure it meets both your requirements and current building regulations.

ALL DIMENSIONS ARE SHOWN IN MILLIMETRES NOT TO SCALE

The checklist is based on Building Regulations ADJ Appendix A. with Dunbrik flue liner system data. The builder/installer should insert details of the actual fireplace opening sizes, actual ventilation installed and any variations to the usual data.

For	<b>Typical Flue Detail Costing</b>	Costing ref	<b>stove-6m-offset-deep-23B</b>
Site at		Plot number	
System	<b>Dunbrik 200mm id A1 concrete flue liners</b>	House type	<b>House with 200mm I.D. Flue</b>
Date	<b>24 Jan 2024</b>	Customer ref.	<b>Chimney Height 5987mm</b>
	<b>200 mm id</b>		

### Checklist for hearths, fireplaces, flues and chimneys

This checklist can help you to ensure hearths, fireplaces, flues and chimneys are satisfactory. If you have been directly engaged, copies should also be offered to the client and to the Building Control body to show what you have done to comply with the requirements of part J. If you are a sub-contractor, a copy should be offered to the main contractor.

Items listed in ADJ Appendix A	Details for builder to complete or amend	
<b>1</b> Building address, where work has been carried out		
		Amend
<b>2</b> Identification of hearth, fireplace, chimney or flue.	<b>Fireplace in lounge</b>	
<b>3</b> Firing capability: solid fuel/gas/oil/all	<b>All</b>	
<b>4</b> Intended type of appliance. State type or make. If open fire give finished fireplace opening dimensions.	<b>For domestic fuel stove up to a 200mm external diameter flue outlet pipe</b>	
<b>5</b> Ventilation provisions for the appliance State type and area of permanently open air vents	<b>Through wall ventilation As per stove manufacturers requirements</b>	
<b>6</b> Chimney or flue construction a) State the type or make and whether new or existing. b) Internal flue size (and equivalent flue height, where calculated natural draught gas appliances only). c) If liners are used confirm they are correctly jointed in accordance with manufacturers instructions and state jointing materials used. d) If an existing chimney has been refurbished with a new liner, type or make of liner fitted. e) Details of flue outlet terminal <span style="float: right;">Outlet detail</span> <span style="float: right;">Complies with:</span> f) Number and angle of bends. g) Provision for cleaning and recommended frequency.	<b>New masonry chimney with: Dunbrik A1 concrete flue liners to BSEN1857 200mm internal diameter  Tongue downwards into rebate and joined with Dunseal fireproof mortar  Cannon pot 450mm tall BSEN13502:2002 2 bends ref 200B at 22.5 degrees  Annually via stove</b>	
<b>7</b> Hearth. Form of construction. New or existing	<b>New As diagram 25 in ADJ</b>	
<b>8</b> Inspection and testing after completion Test (Appendix E in AD J 2002) and results Flue inspection results <span style="float: right;">Visual Sweeping Coring ball Smoke</span> Appliance (where included) <span style="float: right;">Spillage</span>	Tests carried out by:	

**I/We the undersigned confirm that the above details are correct. In my opinion, these works comply with the relevant requirements in Part J of Schedule 1 to the Building Regulations.**

Print name & title	_____	Profession	_____
Capacity	_____	Tel no	_____
Address	_____	Postcode	_____
Signed	_____	Date	_____
Registered membership of (e.g. Gas Safety, OFTEC, HETAS, NACE, NACS)			