

8i bVf] 5%7cbWYH: i Y@bYfg HY.'S% &(' + ' \*- (

IRU GRPHVWLF FKLPQH\ \

: i Y7cghb[

PP LG

(PDLO WHFK#GXQEULN FR

:HE ZZZ GXQEULN FR XN

&RVWLQJ.HiRU: i Y8YHJ^7cghb[ '  
+RXVH WISH +RXVH :LWK PP , ' )OXH  
&XVWRPHU UHI &KLPQH\ +HLJKW PP  
6LWH  
3ORW QXPEHU

&RVWLQJ Chj Y! \*a !cZgYH& 6

)HE'DXVDH\

%\ 6-

3 U L2FW Q EHW

7ca dcbYblg

DfcXi Wl  
WXY

Elm

DfjWg  
YUW

7cgh  
æ

)LUHSODFH UHFHVV FORVXUH EORFN PP [ PP ]5 & %P  
)LUHSODFH UHFHVV FORVXUH EORFN PP [ PP ]5 & %P  
6WRYH FRQQHFWLRQ EORFN 6 & %  
PP IOXH OLQHU EHGG GHJUHHV %  
PP IOXH OLQHU PP WDOO /  
PP IOXH OLQHU PP WDOO /  
PP IOXH OLQHU PP WDOO /  
)OXH OLQHU VHDODQW PO 'XQVHDO  
,QILOO DJJUHJDWH NJ PL[ IRU YRLG 'XQILO  
  
&DQQRQ SRW PP WDOO UHG &DQQ 5  
7RSJXDUG ELUGJXDUG FRZO WDOO UHG 7\* 5  
6PRNH SHOOHW WXE 6PRNH  
)OXH QRWLFH SODWH 3ODWH  
6WRYH SLSH DGDSWRU IRU 6 & % PP WR PP  
PO 6NHOHWRQ \*XQ 6HDOJXQ  
5HG SRO\SURS\OHQH DLU EULFN PP [ PP 5(\*  
+LJK LPSDFW VWUHQH EODFN FDYLV\ VOHHYH &B\*[ PP  
6PRNH SHOOHW WXE 6PRNH

&RVW H[ ZRUNV , \*S%\$

'HOLYHU\ FKDUJH\*S\$S

\*RRGV æ - &S%\$

9\$7 # % ("S&

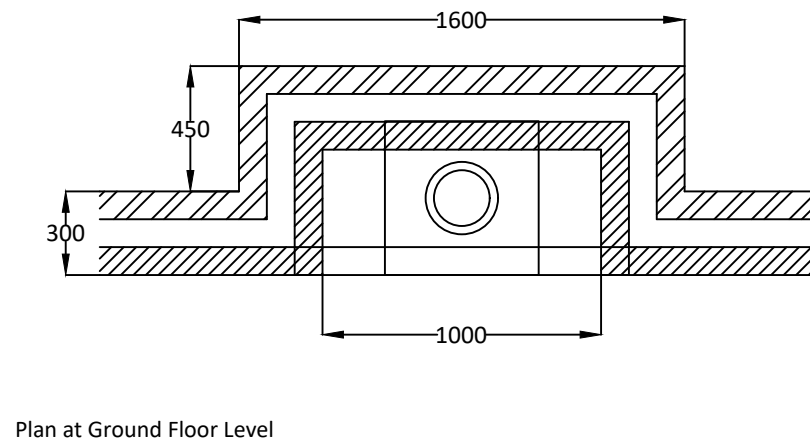
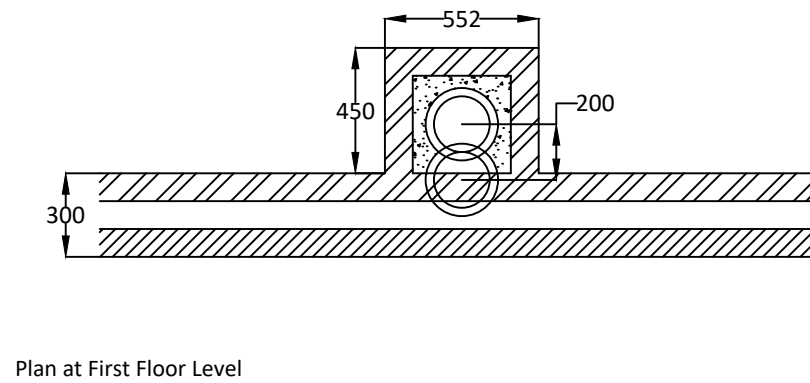
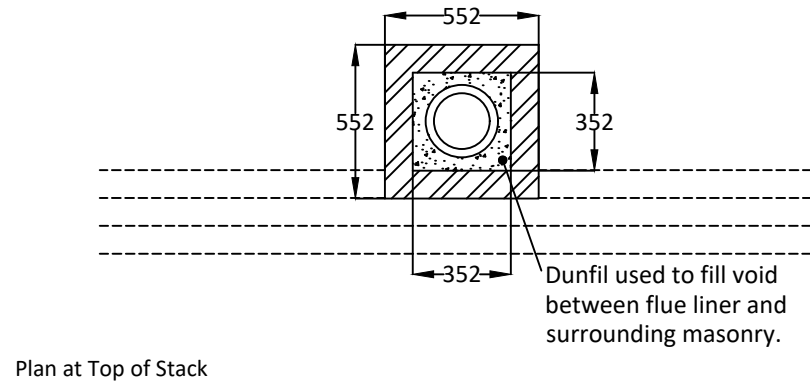
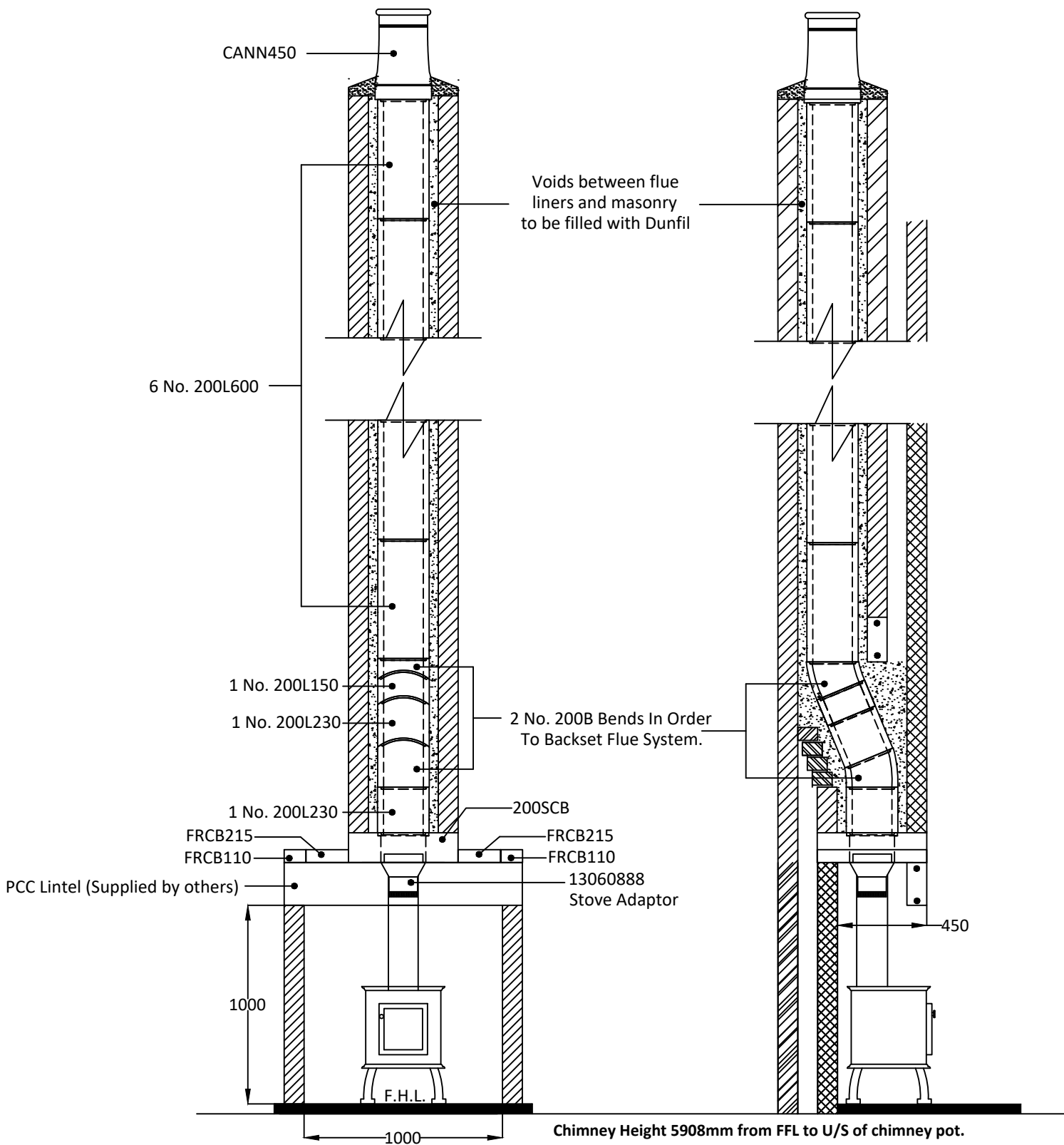
\$OO SULFHV DUH H[ ZRUNV YDOLG IRU GD\ DQG DUH VXEMHFW WR 9\$7 æ %ZS("S&  
&KDUJH IRU LQGLYLGXDOO\ SORWWLQJ PXOWLSOH IOXH RUGHUV LV ... SHU SORW  
)UHH GHOLYHU\ IRU RUGHUV RYHU ... QHWW LQYRLFH YDOXH H[ 9DW WR 8. PDLQODQ  
\$OO WUDGLQJ LV VXEMHFW WR RXU VWDQGDUG FRQGLWLRQV RI VDOH FRS\ DYDLODEOH

BclHg

7KLV IOXH FRVWLQJ LV EDVHG RQ LQIRUPDWLRQ SURYLGHG 3OHDVH KDYH \  
WR HQVXUH WKDW LW PHHWV ZLWK \RXU UHTXLUHPHQWV 3OHDVH DOVR FKHFN WKH SRV  
)RU FRQVWUXFWLRQ JXLGDQFH UHIHU WR WKH IOXH LOOXVWUDWLRQ DQG WKH LQVWDOO  
HY]bZ``]gVUgYXcbU') &a a l ") &a j c]XVYk Yb h Y`bYfgUbXa Ugcbfm  
3OHDVH HQVXUH WKDW WKH IOXH DQG FKLPQH\ DUH FRQVWL  
'XQEULN <RUNV /WG )HUU\ /DQH 6WDQOH\ :DNHILHOG :) /7 5HJLVWHUHG LQ (Q

**Notes**

Please note the fireplace recess closure blocks FRCB215/110 are a non-load bearing unit.



Please have your architect check this typical flue illustration to your drawings to ensure it meets both your requirements and current building regulations.

ALL DIMENSIONS ARE SHOWN IN MILLIMETRES NOT TO SCALE

