

Costing for: **Typical Flue Detail Costing**
House type House with 450mm I.D. Flue
Customer ref. Chimney Height 8970mm
Site
Plot number

Costing ref **450id-9m-offset-23B**
Date 06 February 2024
By SJ
Price list October 2023

| Components | Product code | Qty | Prices each | Cost £ |
|--|--------------|-----|-------------|---------|
| Throat lintel/gather unit 1300mm wide | 450TL1300 | 1 | 240.64 | 240.64 |
| 450mm flue liner bend 22.5 degrees | 450B | 2 | 92.69 | 185.38 |
| 450mm flue liner 230mm tall | 450L230 | 31 | 58.96 | 1827.76 |
| 450mm flue liner 140mm tall | 450L150 | 2 | 38.47 | 76.94 |
| Flue liner sealant 310ml | Dunseal | 35 | 6.68 | 233.80 |
| Infill aggregate 22kg mix for void | Dunfil | 40 | 6.98 | 279.20 |
| 450mm straight 900mm pot red | 450RST900R | 1 | 357.92 | 357.92 |
| Topguard birdguard cowl 500 id red | TG500R | 1 | 191.53 | 191.53 |
| Flue notice plate | Plate | 1 | 7.73 | 7.73 |
| 310ml Skeleton Gun | Sealgun | 1 | 6.40 | 6.40 |
| Red polypropylene air brick 220mm x 72mm | REDG930 | 13 | 0.92 | 11.96 |
| High impact styrene black cavity sleeve 218mm x 72mm | CSG935 | 13 | 5.03 | 65.39 |
| Smoke pellet tube | Smoke | 1 | 11.34 | 11.34 |

| | |
|-----------------|-------------------|
| Cost ex-works * | 3495.99 |
| Delivery charge | 60.00 |
| Goods | £ 3,555.99 |
| VAT @ 20% | 711.20 |
| Total | £ 4,267.19 |

All prices are ex-works, valid for 30 days and are subject to VAT.
Charge for individually plotting multiple flue orders is £30 per plot.
Free delivery for orders over £1,000 nett invoice value (ex-Vat) to UK mainland excluding the Highlands of Scotland (POA).
All trading is subject to our standard conditions of sale (copy available).

Notes

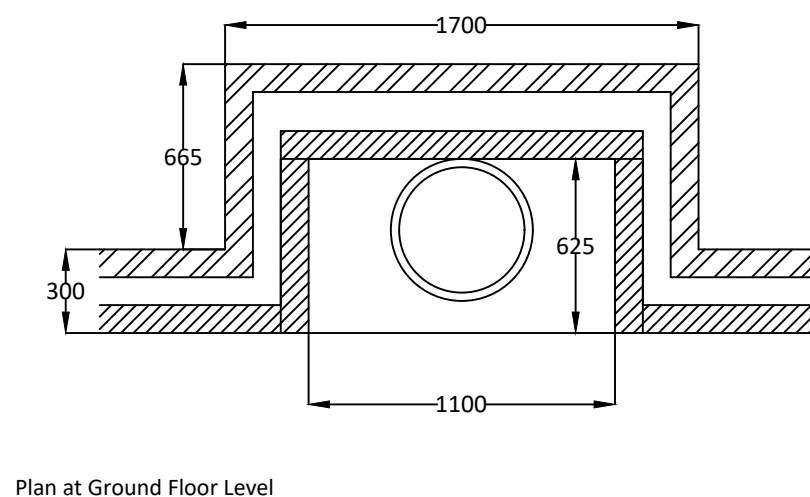
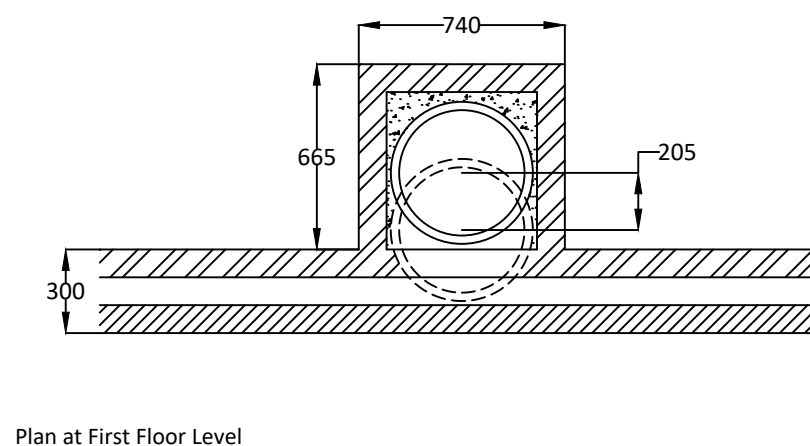
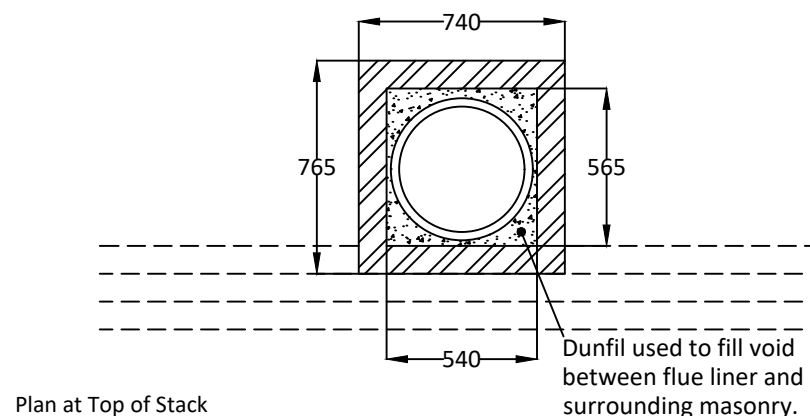
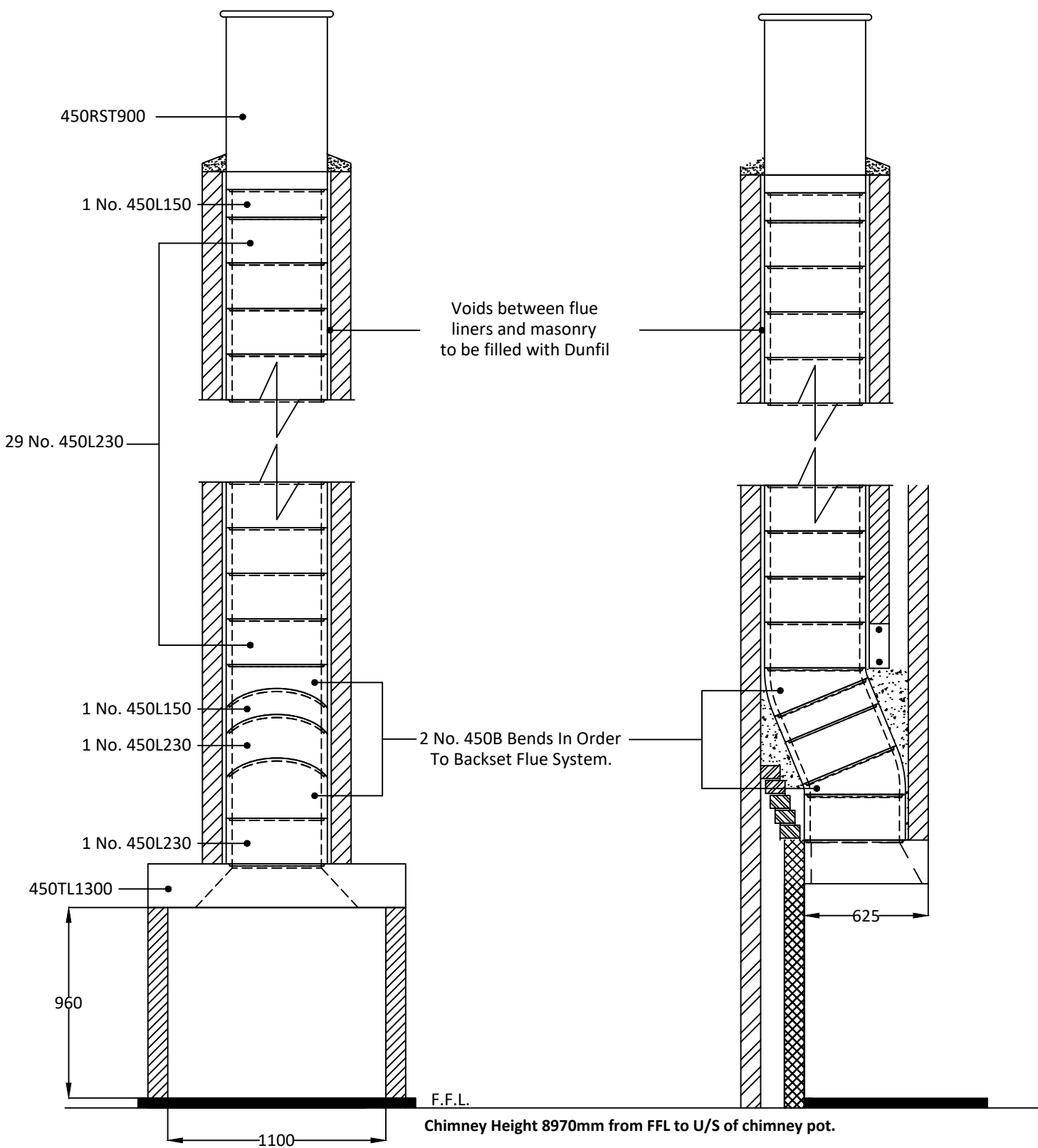
This flue costing is based on information provided. Please have your architect check the costing to your drawings prior to ordering to ensure that it meets with your requirements. Please also check the pot/terminal style and colour.
For construction guidance refer to the flue illustration and the installation guide available on our website www.dunbrikflues.co.uk

The infill is based on a 540mm x 565mm void between the liners and masonry

Please ensure that the flue and chimney are constructed in accordance with Building regulations part J

Notes

Chimney Height of 8970mm from FFL to underside of chimney pot.



Please have your architect check this typical flue illustration to your drawings to ensure it meets both your requirements and current building regulations.

ALL DIMENSIONS ARE SHOWN IN MILLIMETRES NOT TO SCALE

The checklist is based on Building Regulations ADJ Appendix A. with Dunbrik flue liner system data. The builder/installer should insert details of the actual fireplace opening sizes, actual ventilation installed and any variations to the usual data.

| | | | |
|---------|---|---------------|-----------------------------------|
| For | Typical Flue Detail Costing | Costing ref | 450id-9m-offset-23B |
| Site at | | Plot number | |
| System | Dunbrik 450mm id A1 concrete flue liners | House type | House with 450mm I.D. Flue |
| Date | 06 Feb 2024 | Customer ref. | Chimney Height 8970mm |

Checklist for hearths, fireplaces, flues and chimneys

This checklist can help you to ensure hearths, fireplaces, flues and chimneys are satisfactory. If you have been directly engaged, copies should also be offered to the client and to the Building Control body to show what you have done to comply with the requirements of part J. If you are a sub-contractor, a copy should be offered to the main contractor.

| Items listed in ADJ Appendix A | Details for builder to complete or amend |
|--------------------------------|--|
|--------------------------------|--|

| | | |
|---|--|-------|
| 1 Building address, where work has been carried out _____ | | Amend |
| 2 Identification of hearth, fireplace, chimney or flue. | Fireplace in lounge | |
| 3 Firing capability: solid fuel/gas/oil/all | All | |
| 4 Intended type of appliance. State type or make. If open fire give finished fireplace opening dimensions. | For gas fire or solid fuel fire 1,060,000 sq.mm maximum | |
| 5 Ventilation provisions for the appliance State type and area of permanently open air vents | Through wall ventilation 80,000 sq mm minimum | |
| 6 Chimney or flue construction a) State the type or make and whether new or existing. b) Internal flue size (and equivalent flue height, where calculated natural draught gas appliances only). c) If liners are used confirm they are correctly jointed in accordance with manufacturers instructions and state jointing materials used. d) If an existing chimney has been refurbished with a new liner, type or make of liner fitted. e) Details of flue outlet terminal Outlet detail Complies with: f) Number and angle of bends. g) Provision for cleaning and recommended frequency. | New masonry chimney with: Dunbrik A1 concrete flue liners to BSEN1857 450mm internal diameter Tongue downwards into rebate and joined with Dunseal fireproof mortar 450mm straight 900mm pot BSEN13502:2002 2 bends ref 450B at 22.5 degrees Annually via fireplace opening | |
| 7 Hearth. Form of construction. New or existing | New As diagram 25 in ADJ | |
| 8 Inspection and testing after completion Test (Appendix E in AD J 2002) and results Flue inspection results Visual Sweeping Coring ball Smoke Appliance (where included) Spillage | Tests carried out by: _____ | |

I/We the undersigned confirm that the above details are correct. In my opinion, these works comply with the relevant requirements in Part J of Schedule 1 to the Building Regulations.

| | | | |
|--|-------|------------|-------|
| Print name & title | _____ | Profession | _____ |
| Capacity | _____ | Tel no | _____ |
| Address | _____ | Postcode | _____ |
| Signed | _____ | Date | _____ |
| Registered membership of (e.g. Gas Safety, OFTEC, HETAS, NACE, NACS) | | | |