

Costing for: **Typical Flue Detail Costing**  
House type House with 450mm I.D. Flue  
Customer ref. Chimney Height 8970mm  
Site  
Plot number

Costing ref **450id-9m-offset-2-23B**  
Date 06 February 2024  
By SJ  
Price list October 2023

Components	Product code	Qty	Prices each	Cost £
Throat lintel/gather unit 1300mm wide	450TL1300	1	240.64	240.64
450mm flue liner bend 22.5 degrees	450B	4	92.69	370.76
450mm flue liner 230mm tall	450L230	29	58.96	1709.84
450mm flue liner 140mm tall	450L150	3	38.47	115.41
Flue liner sealant 310ml	Dunseal	36	6.68	240.48
Infill aggregate 22kg mix for void	Dunfil	26	6.98	181.48
450mm straight 900mm pot red	450RST900R	1	357.92	357.92
Topguard birdguard cowl 500 id red	TG500R	1	191.53	191.53
Flue notice plate	Plate	1	7.73	7.73
310ml Skeleton Gun	Sealgun	1	6.40	6.40
Red polypropylene air brick 220mm x 72mm	REDG930	13	0.92	11.96
High impact styrene black cavity sleeve 218mm x 72mm	CSG935	13	5.03	65.39
Smoke pellet tube	Smoke	1	11.34	11.34

Cost ex-works *	<b>3510.88</b>
Delivery charge	<b>60.00</b>
Goods	<b>£ 3,570.88</b>
VAT @ 20%	<b>714.18</b>
<b>Total</b>	<b>£ 4,285.06</b>

All prices are ex-works, valid for 30 days and are subject to VAT.  
Charge for individually plotting multiple flue orders is £30 per plot.  
Free delivery for orders over £1,000 nett invoice value (ex-Vat) to UK mainland excluding the Highlands of Scotland (POA).  
All trading is subject to our standard conditions of sale (copy available).

**Notes**

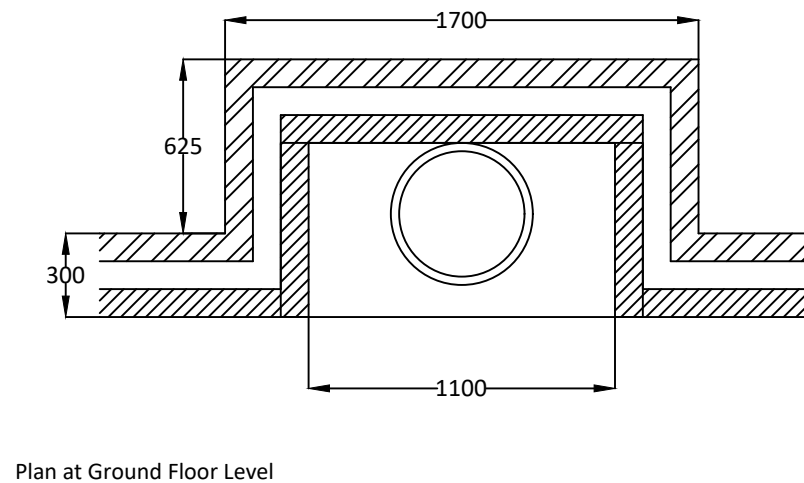
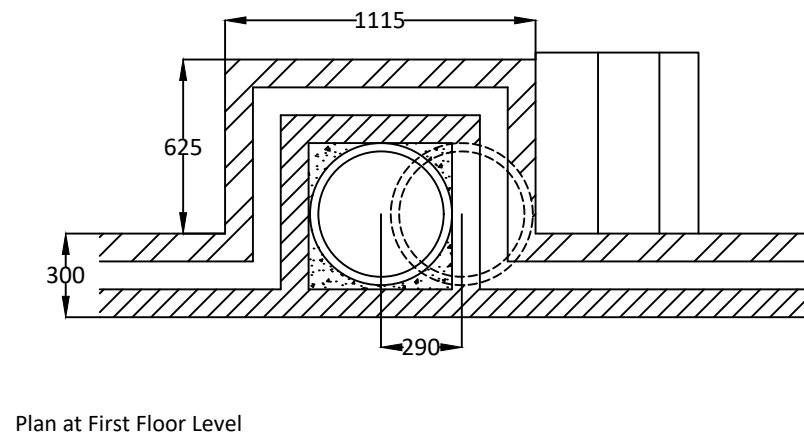
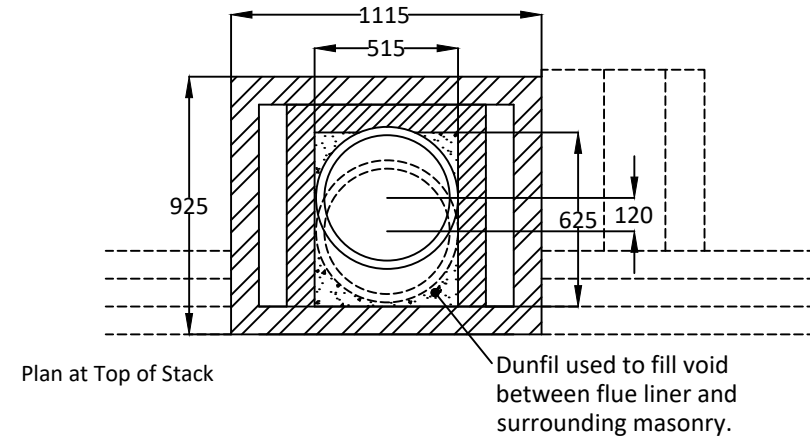
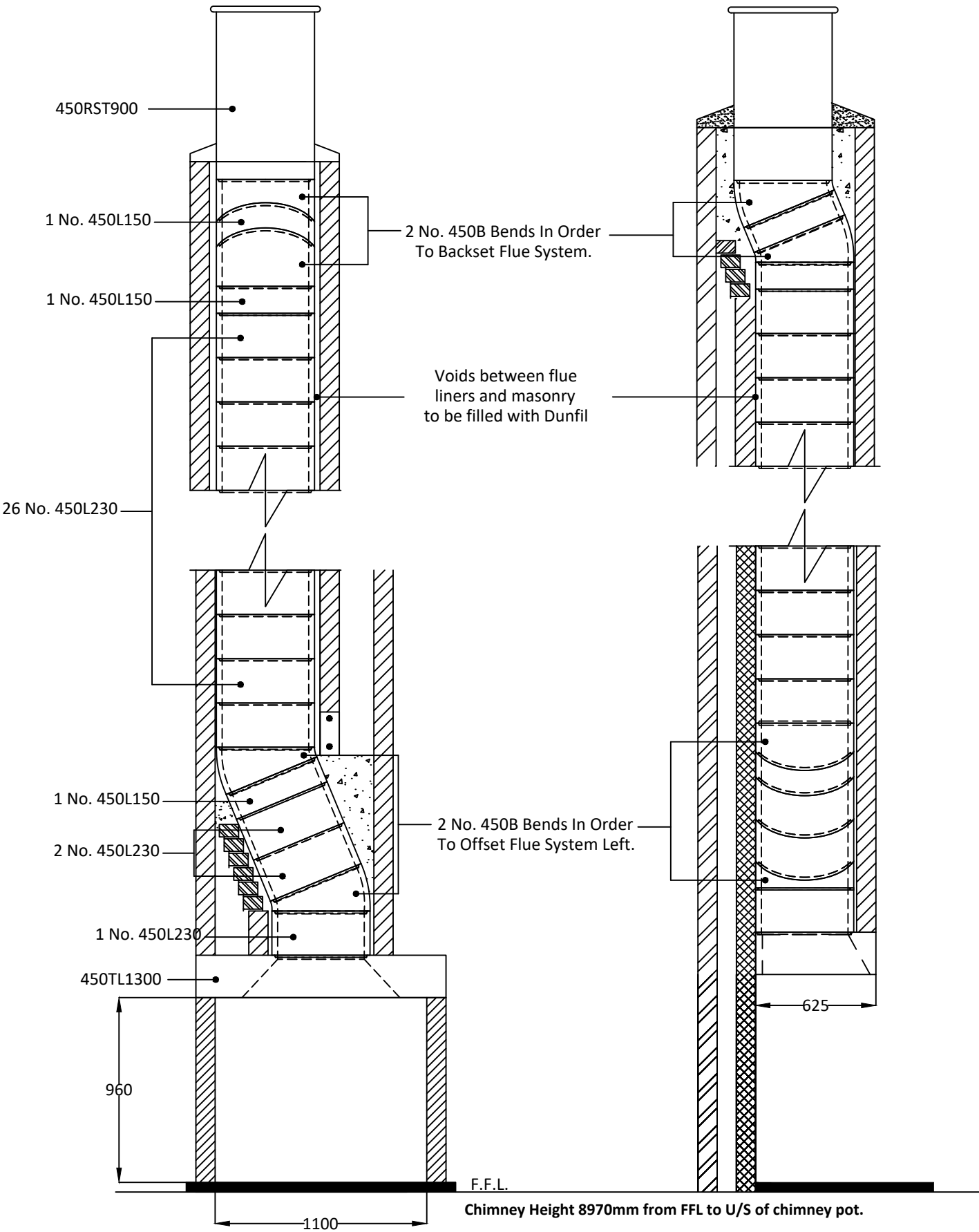
This flue costing is based on information provided. Please have your architect check the costing to your drawings prior to ordering to ensure that it meets with your requirements. Please also check the pot/terminal style and colour.  
For construction guidance refer to the flue illustration and the installation guide available on our website [www.dunbrikflues.co.uk](http://www.dunbrikflues.co.uk)

**The infill is based on a 515mm x 525mm void between the liners and masonry**

Please ensure that the flue and chimney are constructed in accordance with Building regulations part J

## Notes

Chimney Height of 8970mm from FFL to underside of chimney pot.



Dunbrik A1 Concrete Flue Liner System to BS EN 1857

Please have your architect check this typical flue illustration to your drawings to ensure it meets both your requirements and current building regulations.

ALL DIMENSIONS ARE SHOWN IN MILLIMETRES NOT TO SCALE

The checklist is based on Building Regulations ADJ Appendix A. with Dunbrik flue liner system data. The builder/installer should insert details of the actual fireplace opening sizes, actual ventilation installed and any variations to the usual data.

For	Typical Flue Detail Costing	Costing ref	450id-9m-offset-2-23B
Site at		Plot number	
System	Dunbrik 450mm id A1 concrete flue liners	House type	House with 450mm I.D. Flue
Date	06 Feb 2024	Customer ref.	Chimney Height 8970mm

**Checklist for hearths, fireplaces, flues and chimneys**

This checklist can help you to ensure hearths, fireplaces, flues and chimneys are satisfactory. If you have been directly engaged, copies should also be offered to the client and to the Building Control body to show what you have done to comply with the requirements of part J. If you are a sub-contractor, a copy should be offered to the main contractor.

Items listed in ADJ Appendix A	Details for builder to complete or amend	
<b>1</b> Building address, where work has been carried out  <hr/>		Amend
<b>2</b> Identification of hearth, fireplace, chimney or flue.	Fireplace in lounge	
<b>3</b> Firing capability: solid fuel/gas/oil/all	All	
<b>4</b> Intended type of appliance. State type or make. If open fire give finished fireplace opening dimensions.	For gas fire or solid fuel fire 1,060,000 sq.mm maximum	
<b>5</b> Ventilation provisions for the appliance State type and area of permanently open air vents	Through wall ventilation 80,000 sq mm minimum	
<b>6</b> Chimney or flue construction a) State the type or make and whether new or existing. b) Internal flue size (and equivalent flue height, where calculated natural draught gas appliances only). c) If liners are used confirm they are correctly jointed in accordance with manufacturers instructions and state jointing materials used. d) If an existing chimney has been refurbished with a new liner, type or make of liner fitted. e) Details of flue outlet terminal Outlet detail Complies with:	New masonry chimney with: Dunbrik A1 concrete flue liners to BSEN1857 450mm internal diameter  Tongue downwards into rebate and joined with Dunseal fireproof mortar  450mm straight 900mm pot BSEN13502:2002 4 bends ref 450B at 22.5 degrees  Annually via fireplace opening	
<b>7</b> Hearth. Form of construction. New or existing	New As diagram 25 in ADJ	
<b>8</b> Inspection and testing after completion Test (Appendix E in AD J 2002) and results Flue inspection results Visual Sweeping Coring ball Smoke Spillage  Appliance (where included)	Tests carried out by:     	

**I/We the undersigned confirm that the above details are correct. In my opinion, these works comply with the relevant requirements in Part J of Schedule 1 to the Building Regulations.**

Print name & title		Profession	
Capacity		Tel no	
Address		Postcode	
Signed		Date	
Registered membership of (e.g. Gas Safety, OFTEC, HETAS, NACE, NACS)			