

Costing for: Typical Flue Detail Costing	Costing ref: SJ 450id-9m-offset-2-23A
House type: House with 450mm I.D. Flue	Date: 19 October 2023
Customer ref. Chimney Height 8970mm	By: SJ
Site:	Price list: October 2023
Plot number:	

Components	Product code	Qty	Prices each	Disc %	Cost £
Dunbrik A1 concrete flue liner system					
Throat lintel/gather unit 1300mm wide	450TL1300	1	240.64		240.64
450mm flue liner bend 22.5 degrees	450B	4	92.69		370.76
450mm flue liner 230mm tall	450L230	29	58.96		1709.84
450mm flue liner 140mm tall	450L150	3	38.47		115.41
450mm straight 900mm pot red	450RST900R	1	357.92		357.92
Flue liner sealant 310ml	Dunseal	36	6.68		240.48
Infill aggregate 22kg mix for void	Dunfil	26	6.98		181.48
Flue notice plate	Plate	1	7.73		7.73
Topguard birdguard cowl 500 id red	TG500R	1	191.53		191.53

Total for system components

Cost ex-works	3415.79
Delivery charge	60.00
Goods	£ 3,475.79
VAT @ 20%	695.16
Total	£ 4,170.95

Additional products (if required)

Smoke pellet tube	Smoke	1	11.34		11.34
310ml Skeleton Gun	Sealgun	1	6.40		6.40
Red polypropylene air brick 220mm x 72mm	REDG930	13	0.92		11.96
High impact styrene black cavity sleeve 218mm x 72mm	CSG935	13	5.03		65.39

Plus VAT @ 20%

All prices are ex-works, valid for 30 days and are subject to VAT.
Charge for individually plotting multiple flue orders is £30 per plot.
Free delivery for orders over £1,000 nett invoice value (ex-Vat) to UK mainland excluding the Highlands of Scotland (POA).
All trading is subject to our standard conditions of sale (copy available).

Notes

This flue costing is based on information provided. Please have your architect check the costing to your drawings prior to ordering, to ensure that it meets with your requirements. Please also check the pot/terminal style and colour.

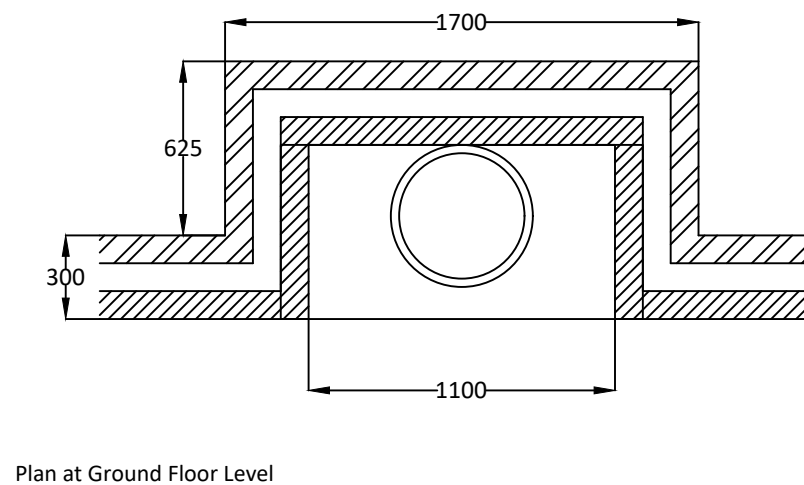
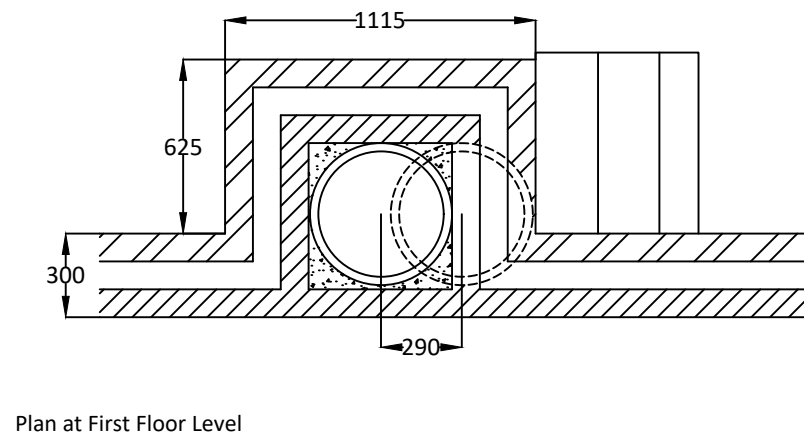
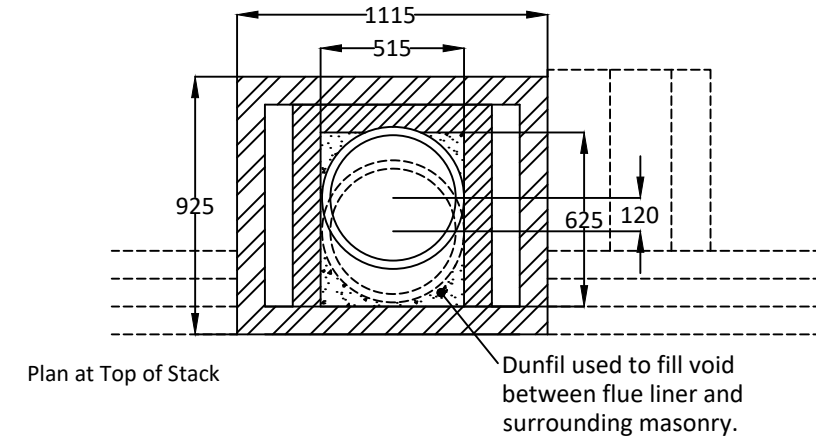
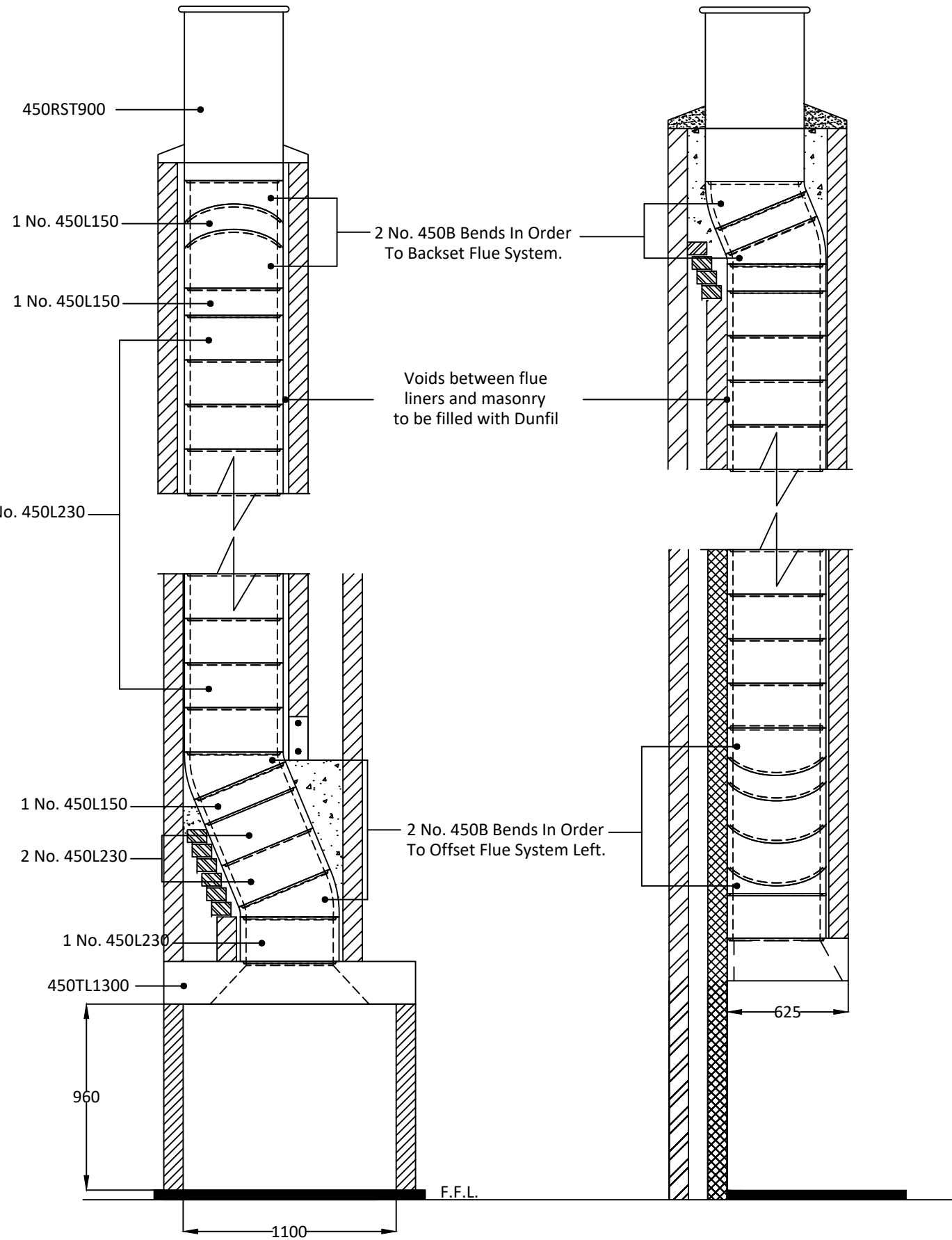
For construction guidance refer to the flue illustration and the installation guide available on our website dunbrikflues.co.uk

The infill is based on a 515mm x 525mm void between the liners and masonry

Please ensure that the flue and chimney are constructed in accordance with Building regulations part J

Notes

Chimney Height of 8970mm from FFL to underside of chimney pot.



Dunbrik A1 Concrete Flue Liner System to BS EN 1857

Please have your architect check this estimate to your drawings to ensure it meets both your requirements and current building regulations, british standards and codes of practice.

**ALL DIMENSIONS ARE SHOWN IN MILLIMETRES
NOT TO SCALE**

The checklist is based on Building Regulations ADJ Appendix A. with Dunbrik flue liner system data. The builder/installer should insert details of the actual fireplace opening sizes, actual ventilation installed and any variations to the usual data.

For	Typical Flue Detail Costing	Costing ref	SJ 450id-9m-offset-2-23A
Site at		Plot number	
System	Dunbrik 450mm id A1 concrete flue liners	House type	House with 450mm I.D. Flue
Date	19 Oct 2023	Customer ref.	Chimney Height 8970mm
	450 mm id		

Checklist for hearths, fireplaces, flues and chimneys

This checklist can help you to ensure hearths, fireplaces, flues and chimneys are satisfactory. If you have been directly engaged, copies should also be offered to the client and to the Building Control body to show what you have done to comply with the requirements of part J. If you are a sub-contractor, a copy should be offered to the main contractor.

Items listed in ADJ Appendix A	Details for builder to complete or amend	Amend
1 Building address, where work has been carried out		
2 Identification of hearth, fireplace, chimney or flue.	Fireplace in lounge	
3 Firing capability: solid fuel/gas/oil/all	All	
4 Intended type of appliance. State type or make. If open fire give finished fireplace opening dimensions.	For gas fire or solid fuel fire 1,060,000 sq.mm maximum	
5 Ventilation provisions for the appliance State type and area of permanently open air vents	Through wall ventilation 80,000 sq mm minimum	
6 Chimney or flue construction a) State the type or make and whether new or existing. b) Internal flue size (and equivalent flue height, where calculated natural draught gas appliances only). c) If liners are used confirm they are correctly jointed in accordance with manufacturers instructions and state jointing materials used. d) If an existing chimney has been refurbished with a new liner, type or make of liner fitted. e) Details of flue outlet terminal Outlet detail Complies with: f) Number and angle of bends. g) Provision for cleaning and recommended frequency.	New masonry chimney with: Dunbrik A1 concrete flue liners to BSEN1857 450mm internal diameter Tongue downwards into rebate and joined with Dunseal fireproof mortar 450mm straight 900mm pot BSEN13502:2002 4 bends ref 450B at 22.5 degrees Annually via fireplace opening	
7 Hearth. Form of construction. New or existing	New As diagram 25 in ADJ	
8 Inspection and testing after completion Test (Appendix E in AD J 2002) and results Flue inspection results Appliance (where included)	Visual Sweeping Coring ball Smoke Spillage	Tests carried out by:

I/We the undersigned confirm that the above details are correct. In my opinion, these works comply with the relevant requirements in Part J of Schedule 1 to the Building Regulations.

Print name & title	_____	Profession	_____
Capacity	_____	Tel no	_____
Address	_____	Postcode	_____
Signed	_____	Date	_____
Registered membership of (e.g. Gas Safety, OFTEC, HETAS, NACE, NACS)			