



8i bVf] 5%7cbWYH: i Y@bYfg  
 IRU GRPHVWLF FKLPQH\ V  
 : i Y7cghb[  
 PP LG

HY: 'S% & (' + ' \*- (  
 (PDLO WHFK#GXQEULN FR  
 :HE ZZZ GXQEULN FR XN

&RVWLQJ HIRU: i Y8YH] 7cghb[ '  
 +RXVH W\SH +RXVH ZLWK PP , ' )OXH  
 &XVWRPHU UHI &KLPQH\ +HLJKW PP  
 6LWH  
 3ORW QXPEHU

&RVWLQJ J 0)S]X+a !cZgYH&& 6  
 )HE'UXVHU\  
 %\ 6-  
 3UL2FW Q EHW

7ca dcbYblg

DfcXi M  
 WXY

Elm

Df]Wg  
 YUW

7cgh  
 œ

7KURDW OLQWHO JDWKHU XQLW PP ZLGH  
 PP IOXH OLQHU EHQG GHJUHHV  
 PP IOXH OLQHU PP WDOO  
 PP IOXH OLQHU PP WDOO  
 )OXH OLQHU VHDODQW PO  
 ,QILOO DJJUHDJWH NJ PL[ IRU YRLG  
  
 PP VWUDLJKW PP SRW UHG  
 7RSJXDUG ELUGJXDUG FRZO LG UHG  
 )OXH QRWLFH SODWH  
 PO 6NHOHWRQ \*XQ  
 5HG SRO\SURS\OHQH DLU EULFN PP [ PP  
 +LJK LPDFW VW\UHQH EODFN FDYLW\ VOHHYH  
 6PRNH SHOOHW WXEH

7/  
 %  
 /  
 /  
 'XQVHDO  
 'XQILO  
  
 567 5  
 7\* 5  
 3ODWH  
 6HDOJXQ  
 5(' \*  
 8B\*[ PP  
 6PRNH

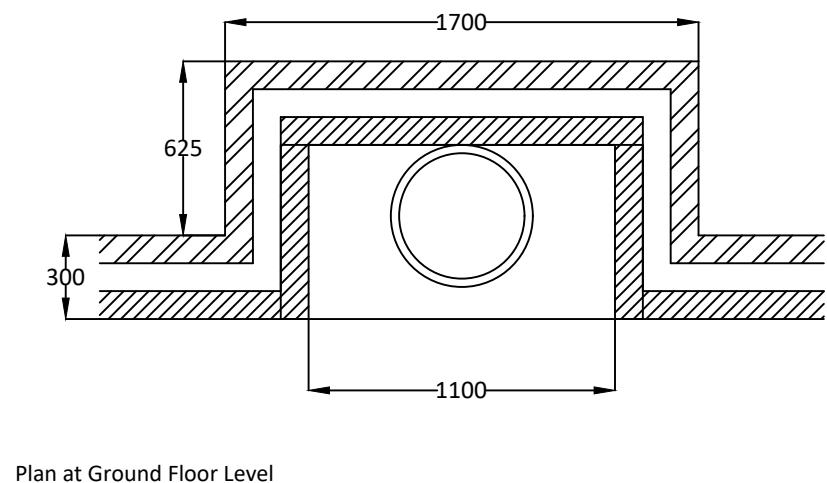
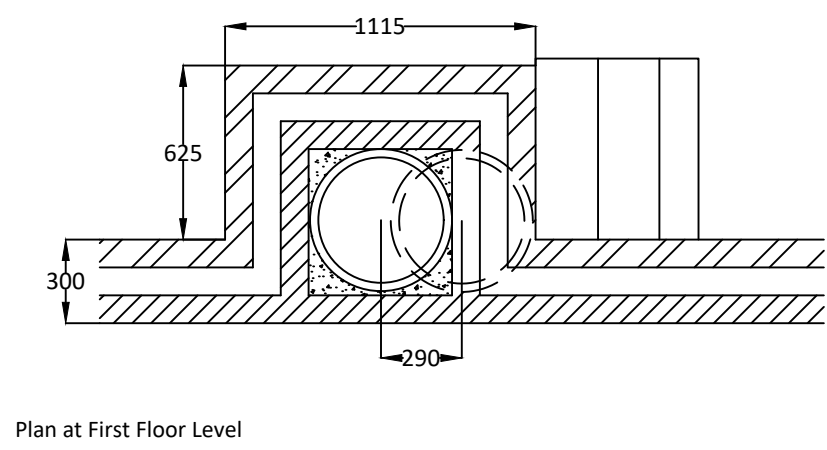
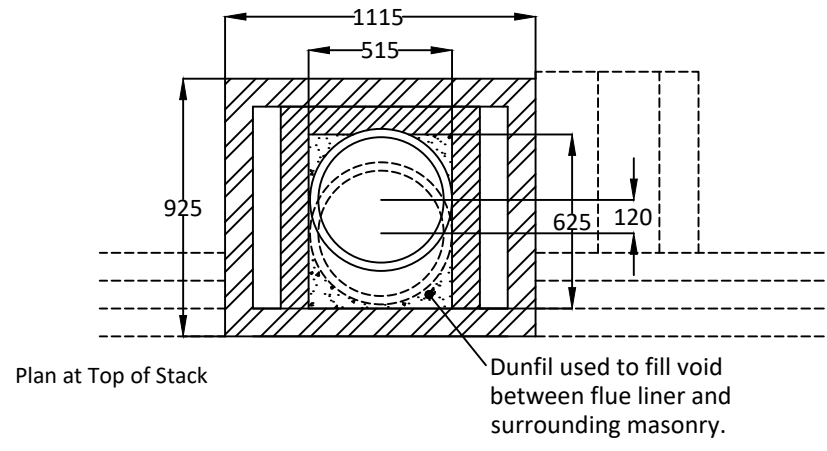
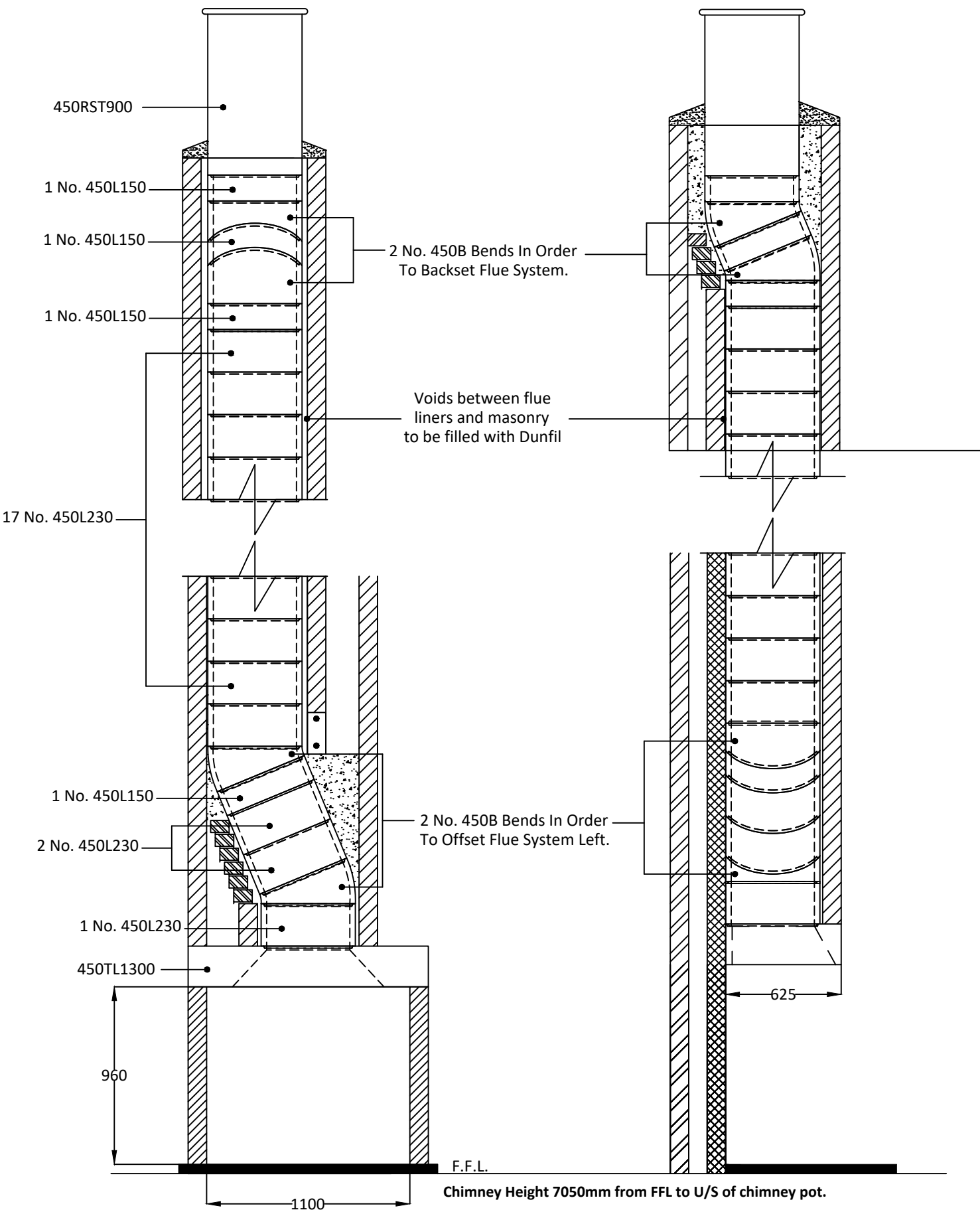
\$OO SULFHV DUH H[ ZRUNV YDOLG IRU GD\ V DQG DUH VXEMHFW WR 9\$7 œ '2., "(  
 &KDUJH IRU LQGLYLGXDOO\ SORWWLQJ PXOWLSOH IOXH RUGHUV LV ... SHU SORW  
 )UHH GHOLYHU\ IRU RUGHUV RYHU ... QHWW LQYRLFH YDOXH H[ 9DW WR 8. PDLQODQ  
 \$OO WUDGLQJ LV VXEMHFW WR RXU VWDQGDUG FRQGLWLRQV RI VDOH FRS\ DYDLODEOH

Bclhg

7KLV IOXH FRVWLQJ LV EDVHG RQ LQIRUPDWLRQ SURYLGHG 3OHDVH KDYH \  
 WR HQVXUH WKDW LW PHHWV ZLWK \RXU UHTXLUHPHQWV 3OHDVH DOVR FKHFN WKH SRV  
 )RU FRQVWUXFWLRQ JXLGDQFH UHIHU WR WKH IOXH LOOXVWUDWLRQ DQG WKH LQVWDOOD  
 HAY]bZ`lgVUgYXcbU) % a a l ) & a a j c]XVYk Yb h Y`bYfg`UbXa Ugcbfm  
 3OHDVH HQVXUH WKDW WKH IOXH DQG FKLPQH\ DUH FRQVWL  
 'XQEULN <RUNV /WG )HUU\ /DQH 6WDQOH\ :DNHILHOG :) /7 5HJLVWHUHG LQ (Q

**Notes**

Chimney Height of 7050mm from FFL to underside of chimney pot.



Please have your architect check this typical flue illustration to your drawings to ensure it meets both your requirements and current building regulations.

ALL DIMENSIONS ARE SHOWN IN MILLIMETRES NOT TO SCALE

