

Costing for: Typical Flue Detail Costing	Costing ref: SJ 450id-10m-offset-2-23A
House type: House with 450mm I.D. Flue	Date: 19 October 2023
Customer ref. Chimney Height 9970mm	By: SJ
Site:	Price list: June 2023
Plot number:	

Components	Product code	Qty	Prices each	Disc %	Cost £
Dunbrik A1 concrete flue liner system					
Throat lintel/gather unit 1300mm wide	450TL1300	1	240.64		240.64
450mm flue liner bend 22.5 degrees	450B	4	92.69		370.76
450mm flue liner 230mm tall	450L230	34	58.96		2004.64
450mm flue liner 140mm tall	450L150	2	38.47		76.94
450mm straight 900mm pot red	450RST900R	1	357.92		357.92
Flue liner sealant 310ml	Dunseal	40	6.68		267.20
Infill aggregate 22kg mix for void	Dunfil	29	6.98		202.42
Flue notice plate	Plate	1	7.73		7.73
Topguard birdguard cowl 500 id red	TG500R	1	191.53		191.53

Total for system components

Cost ex-works	3719.78
Delivery charge	95.00
Goods	£ 3,814.78
VAT @ 20%	762.96
Total	£ 4,577.74

Additional products (if required)

Smoke pellet tube	Smoke	1	11.34		11.34
310ml Skeleton Gun	Sealgun	1	6.40		6.40
Red polypropylene air brick 220mm x 72mm	REDG930	13	0.92		11.96
High impact styrene black cavity sleeve 218mm x 72mm	CSG935	13	5.03		65.39

Plus VAT @ 20%

All prices are ex-works, valid for 30 days and are subject to VAT.
Charge for individually plotting multiple flue orders is £30 per plot.
Free delivery for orders over £1,000 nett invoice value (ex-Vat) to UK mainland excluding the Highlands of Scotland (POA).
Please ensure that the flue and chimney are constructed in accordance with Building regulations part J

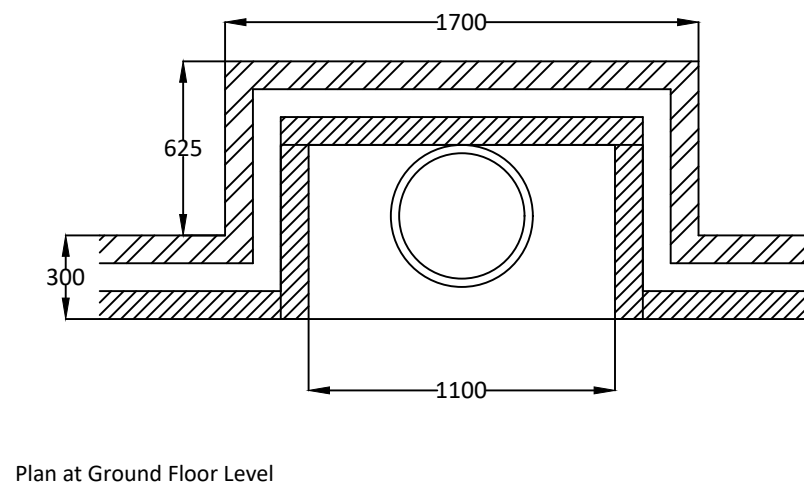
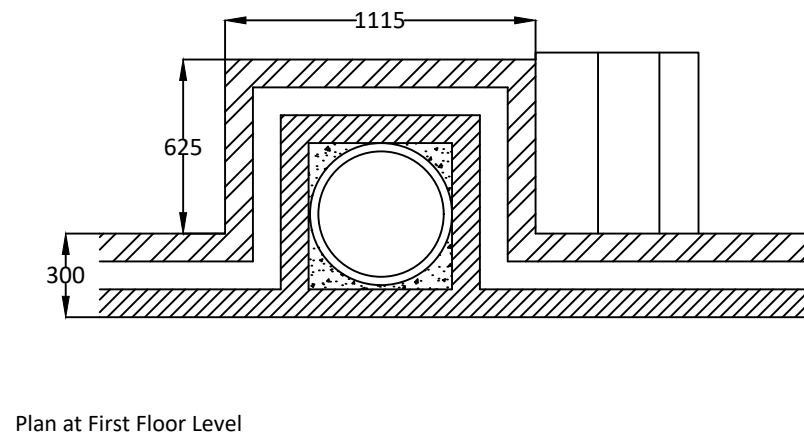
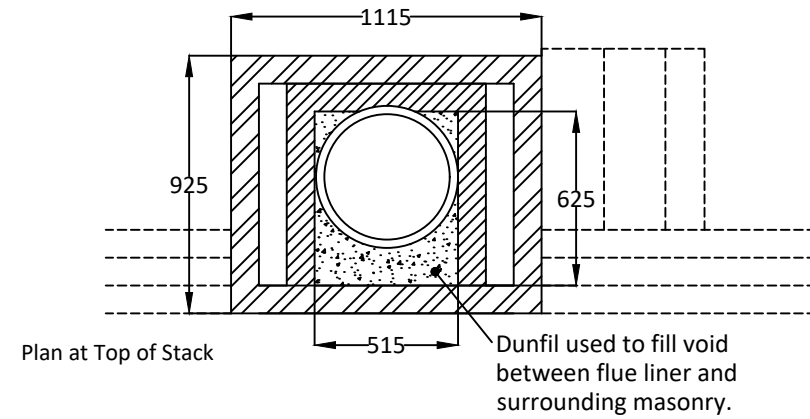
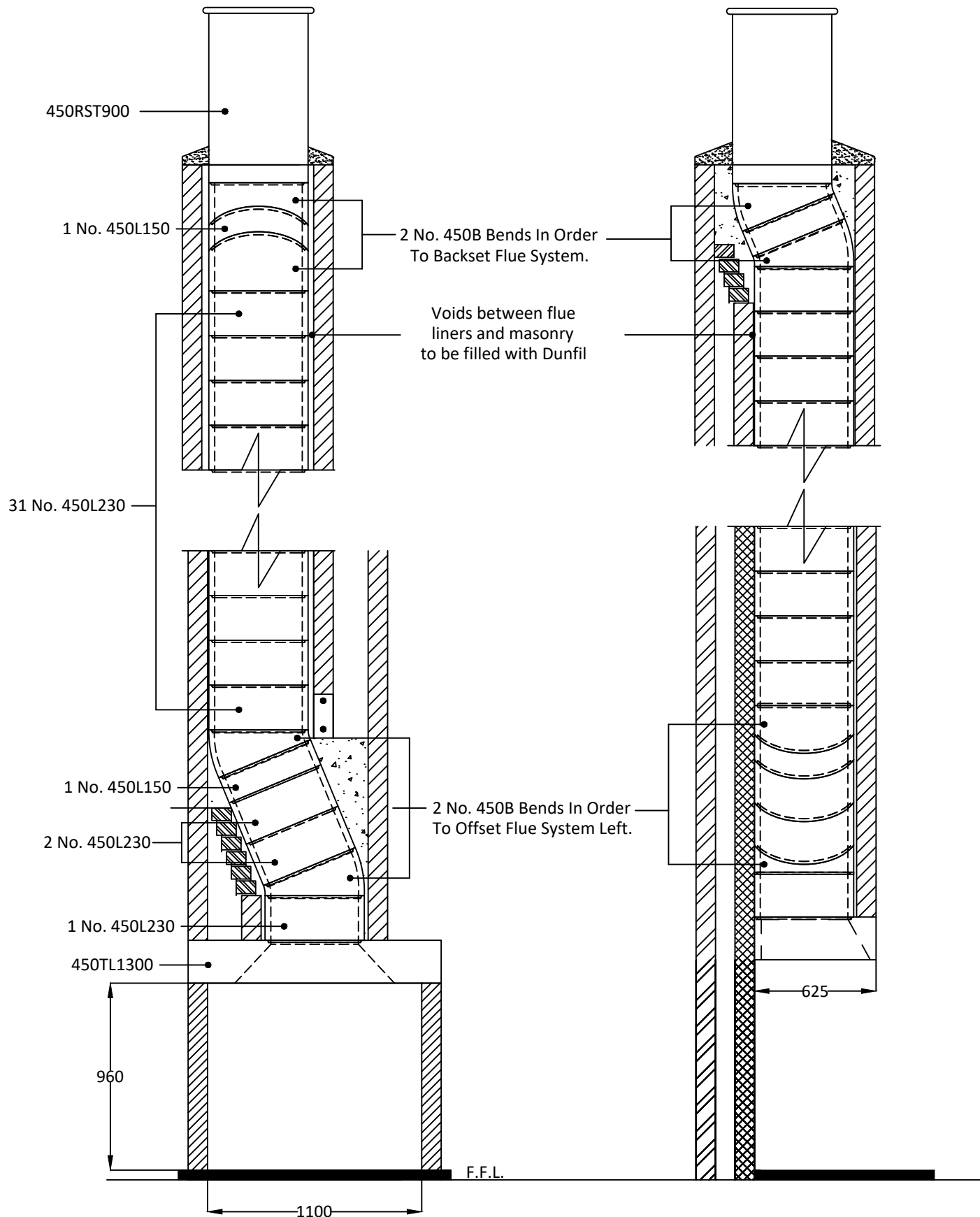
Notes

This flue costing is based on information provided. Please have your architect check the costing to your drawings prior to ordering, to ensure that it meets with your requirements. Please also check the pot/terminal style and colour.

For construction guidance refer to the flue illustration and the installation guide available on our website dunbrikflues.co.uk

The infill is based on a 515mm x 525mm void between the liners and masonry

Please ensure that the flue and chimney are constructed in accordance with Building regulations part J



Dunbrik A1 Concrete Flue Liner System to BS EN 1857

Notes

Chimney Height of from FFL to underside of chimney pot.

Please have your architect check this estimate to your drawings to ensure it meets both your requirements and current building regulations, british standards and codes of practice.

ALL DIMENSIONS ARE SHOWN IN MILLIMETRES NOT TO SCALE

