

Costing for: Typical Flue Detail Costing	Costing ref: 300sq-9m-offset-2-23B
House type: House With 300mm I.S. Flue	Date: 06 February 2024
Customer ref. Chimney Height 9040mm from FFL to U/S of chimney pot	By: SJ
Site:	Price list: October 2023
Plot number:	

Components	Product code	Qty	Prices each	Cost £
Throat lintel/gather unit 1000mm wide	AF300/1000S	1	108.29	108.29
300mm flue bend 30 degrees	12B	4	52.48	209.92
300mm flue liner 230mm tall	12L	30	28.60	858.00
300mm flue liner 140mm tall	12LS	3	17.71	53.13
Flue liner sealant 310ml	Dunseal	19	6.68	126.92
Infill aggregate 22kg mix for void	Dunfil	9	6.98	62.82
300mm straight 750mm pot red	300RST750R	1	222.65	222.65
Topguard birdguard cowl 350 id red	TG350R	1	155.06	155.06
Smoke pellet tube	Smoke	1	11.34	11.34
Flue notice plate	Plate	1	7.73	7.73
310ml Skeleton Gun	Sealgun	1	6.40	6.40
Red polypropylene air brick 220mm x 72mm	REDG930	7	0.92	6.44
High impact styrene black cavity sleeve 218mm x 72mm	CSG935	7	5.03	35.21

Cost ex-works *	1863.91
Delivery charge	60.00
Goods	£ 1,923.91
VAT @ 20%	384.78
Total	£ 2,308.69

All prices are ex-works, valid for 30 days and are subject to VAT.
Charge for individually plotting multiple flue orders is £30 per plot.
Free delivery for orders over £1,000 nett invoice value (ex-Vat) to UK mainland excluding the Highlands of Scotland (POA).
All trading is subject to our standard conditions of sale (copy available).

Notes

This flue costing is based on information provided. Please have your architect check the costing to your drawings prior to ordering to ensure that it meets with your requirements. Please also check the pot/terminal style and colour.

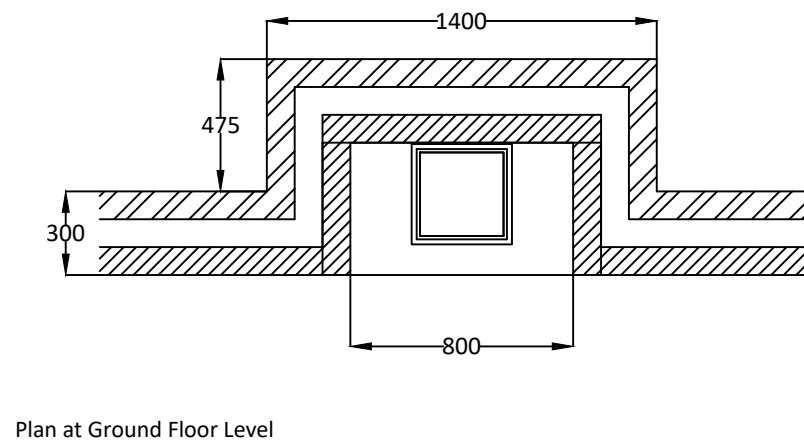
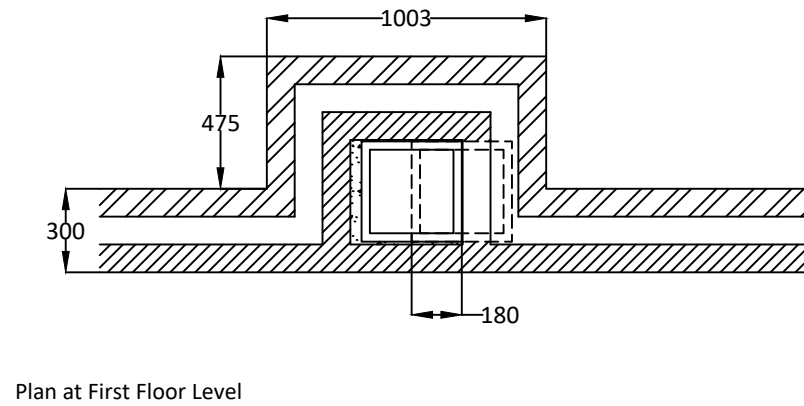
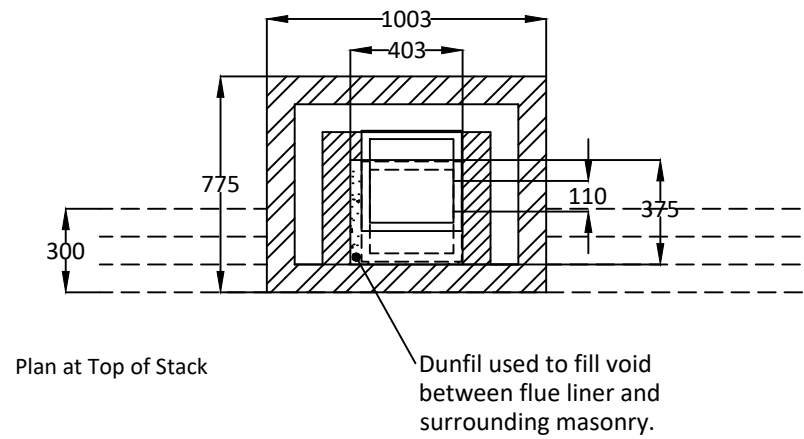
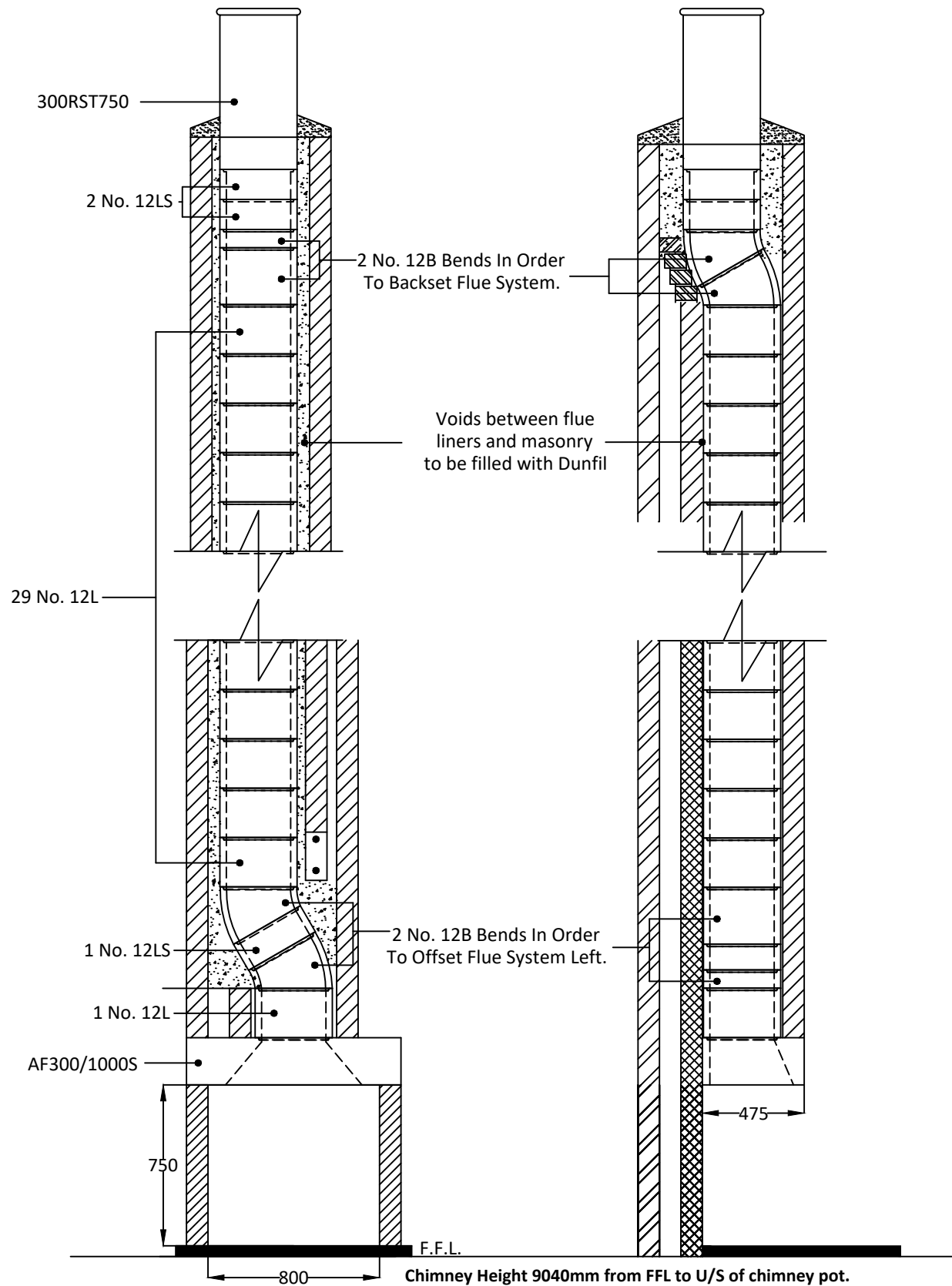
For construction guidance refer to the flue illustration and the installation guide available on our website www.dunbrikflues.co.uk

The infill is based on a 403mm x 375mm void between the liners and masonry

Please ensure that the flue and chimney are constructed in accordance with Building regulations part J

Notes

Chimney Height of 9040mm from FFL to underside of chimney pot.



Please have your architect check this typical flue illustration to your drawings to ensure it meets both your requirements and current building regulations.

ALL DIMENSIONS ARE SHOWN IN MILLIMETRES NOT TO SCALE

