

| | |
|---|--|
| Costing for: Typical Flue Detail Costing | Costing ref: SJ 300sq-7m-offset-2-23A |
| House type: House with 300mm I.S. Flue | Date: 16 October 2023 |
| Customer ref. Chimney Height 7050mm | By: SJ |
| Site: | Price list: October 2023 |
| Plot number: | |

| Components | Product code | Qty | Prices each | Disc % | Cost £ |
|--|--------------|-----|-------------|--------|--------|
| Dunbrik A1 concrete flue liner system | | | | | |
| Throat lintel/gather unit 1000mm wide | AF300/1000S | 1 | 108.29 | | 108.29 |
| 300mm flue bend 30 degrees | 12B | 4 | 52.48 | | 209.92 |
| 300mm flue liner 230mm tall | 12L | 22 | 28.60 | | 629.20 |
| 300mm flue liner 140mm tall | 12LS | 2 | 17.71 | | 35.42 |
| 300mm straight 750mm pot red | 300RST750R | 1 | 222.65 | | 222.65 |
| Flue liner sealant 310ml | Dunseal | 14 | 6.68 | | 93.52 |
| Infill aggregate 22kg mix for void | Dunfil | 8 | 6.98 | | 55.84 |
| Flue notice plate | Plate | 1 | 7.73 | | 7.73 |
| Topguard birdguard cowl 350 id red | TG350R | 1 | 155.06 | | 155.06 |

Total for system components

| | |
|-----------------|-------------------|
| Cost ex-works | 1517.63 |
| Delivery charge | 60.00 |
| Goods | £ 1,577.63 |
| VAT @ 20% | 315.53 |
| Total | £ 1,893.16 |

Additional products (if required)

| | | | | | |
|--|---------|---|-------|--|-------|
| Smoke pellet tube | Smoke | 1 | 11.34 | | 11.34 |
| 310ml Skeleton Gun | Sealgun | 1 | 6.40 | | 6.40 |
| Red polypropylene air brick 220mm x 72mm | REDG930 | 7 | 0.92 | | 6.44 |
| High impact styrene black cavity sleeve 218mm x 72mm | CSG935 | 7 | 5.03 | | 35.21 |

Plus VAT @ 20%

All prices are ex-works, valid for 30 days and are subject to VAT.
Charge for individually plotting multiple flue orders is £30 per plot.
Free delivery for orders over £1,000 nett invoice value (ex-Vat) to UK mainland excluding the Highlands of Scotland (POA).
All trading is subject to our standard conditions of sale (copy available).

Notes

This flue costing is based on information provided. Please have your architect check the costing to your drawings prior to ordering, to ensure that it meets with your requirements. Please also check the pot/terminal style and colour.

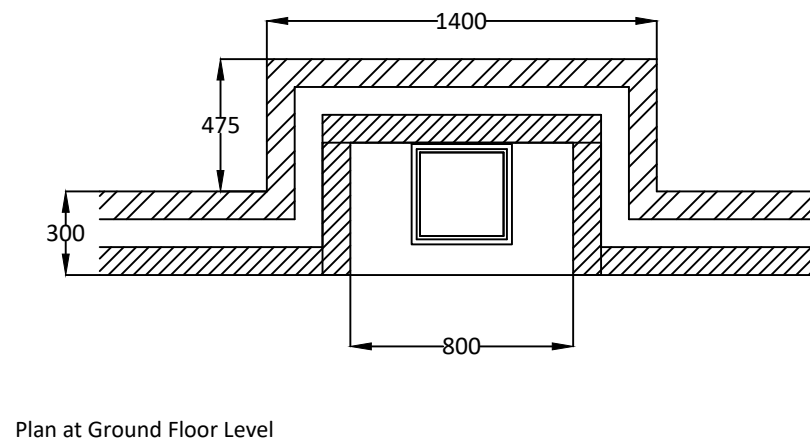
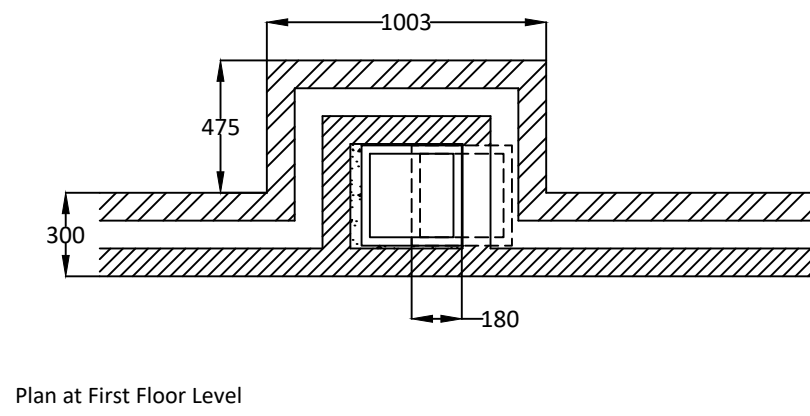
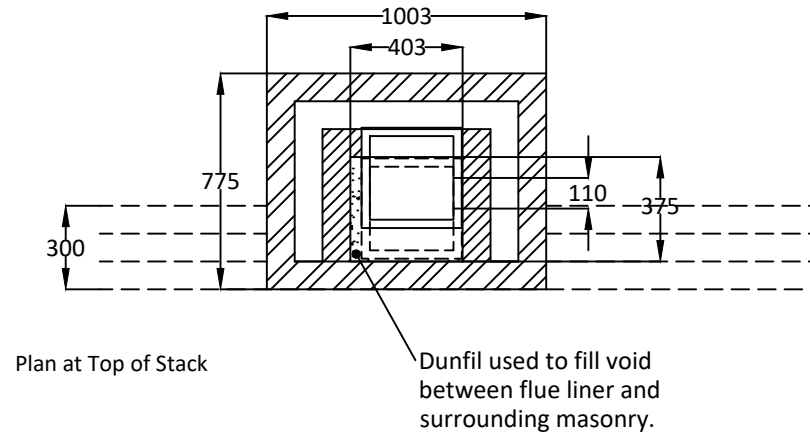
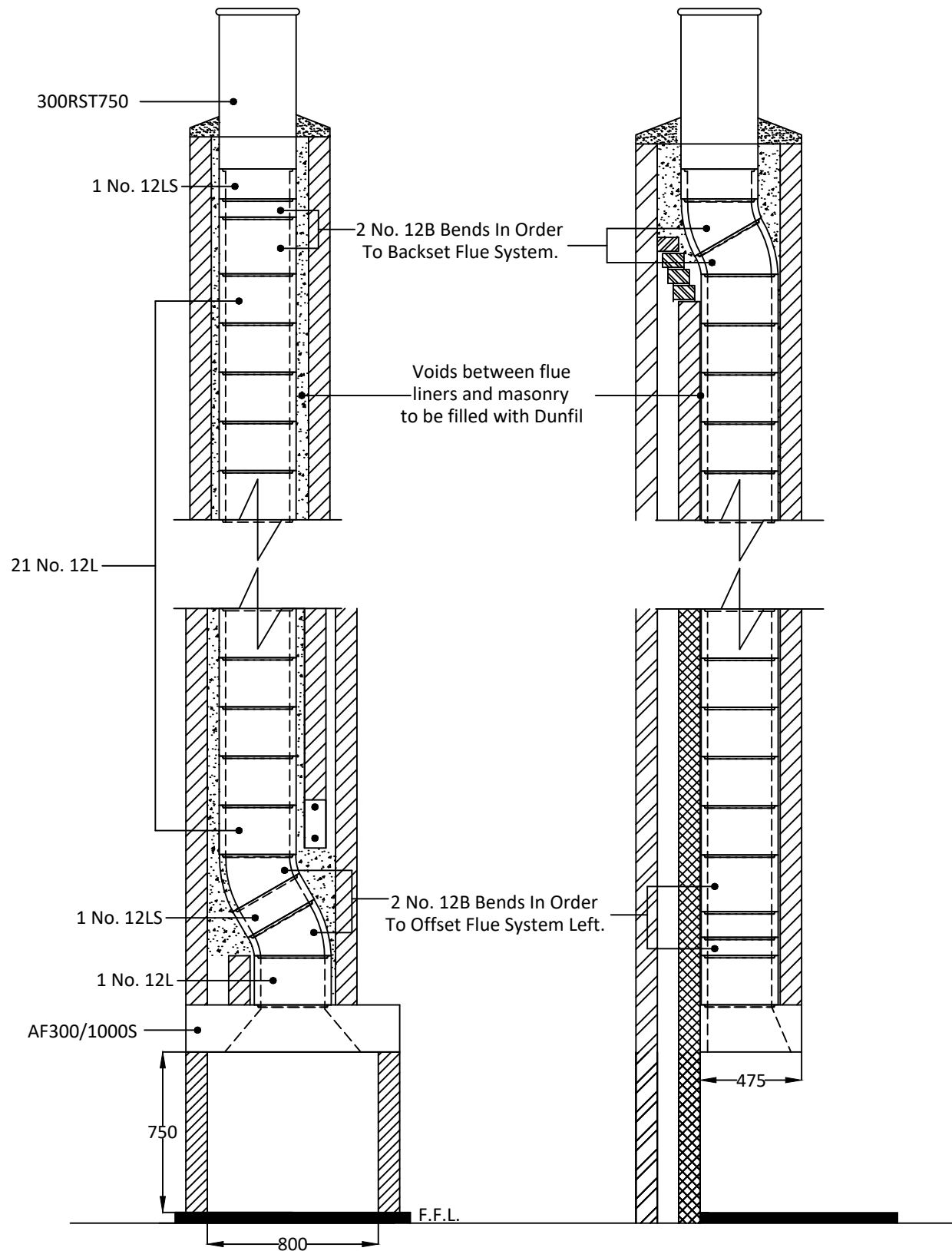
For construction guidance refer to the flue illustration and the installation guide available on our website dunbrikflues.co.uk

The infill is based on a 403mm x 375mm void between the liners and masonry

Please ensure that the flue and chimney are constructed in accordance with Building regulations part J

Notes

Chimney Height of 7050mm from FFL to underside of chimney pot.



Please have your architect check this estimate to your drawings to ensure it meets both your requirements and current building regulations, british standards and codes of practice.

ALL DIMENSIONS ARE SHOWN IN MILLIMETRES NOT TO SCALE

The checklist is based on Building Regulations ADJ Appendix A. with Dunbrik flue liner system data. The builder/installer should insert details of the actual fireplace opening sizes, actual ventilation installed and any variations to the usual data.

| | | | |
|---------|--|---------------|-----------------------------------|
| For | Typical Flue Detail Costing | Costing ref | SJ 300sq-7m-offset-2-23A |
| Site at | | Plot number | |
| System | Dunbrik 300mm sq. A1 concrete flue liners | House type | House with 300mm I.S. Flue |
| Date | 16 Oct 2023 | Customer ref. | Chimney Height 7050mm |

Checklist for hearths, fireplaces, flues and chimneys

This checklist can help you to ensure hearths, fireplaces, flues and chimneys are satisfactory. If you have been directly engaged, copies should also be offered to the client and to the Building Control body to show what you have done to comply with the requirements of part J. If you are a sub-contractor, a copy should be offered to the main contractor.

| Items listed in ADJ Appendix A | | Details for builder to complete or amend | Amend |
|--|--|---|-----------------------|
| 1 Building address, where work has been carried out | | | |
| 2 Identification of hearth, fireplace, chimney or flue. | | Fireplace in lounge | |
| 3 Firing capability: solid fuel/gas/oil/all | | All | |
| 4 Intended type of appliance. State type or make. If open fire give finished fireplace opening dimensions. | | For gas fire or solid fuel fire 600,000 sq.mm maximum | |
| 5 Ventilation provisions for the appliance State type and area of permanently open air vents | | Through wall ventilation 45,000 sq mm minimum | |
| 6 Chimney or flue construction a) State the type or make and whether new or existing. b) Internal flue size (and equivalent flue height, where calculated natural draught gas appliances only). c) If liners are used confirm they are correctly jointed in accordance with manufacturers instructions and state jointing materials used. d) If an existing chimney has been refurbished with a new liner, type or make of liner fitted. e) Details of flue outlet terminal Outlet detail Complies with: f) Number and angle of bends. g) Provision for cleaning and recommended frequency. | | New masonry chimney with: Dunbrik A1 concrete flue liners to BSEN1857 300mm internal square Tongue downwards into rebate and joined with Dunseal fireproof mortar 300mm straight 750mm pot BSEN13502:2002 4 bends ref 12B at 30 degrees Annually via fireplace opening | |
| 7 Hearth. Form of construction. New or existing | | New As diagram 25 in ADJ | |
| 8 Inspection and testing after completion Test (Appendix E in AD J 2002) and results Flue inspection results Appliance (where included) | | Visual Sweeping Coring ball Smoke Spillage | Tests carried out by: |

I/We the undersigned confirm that the above details are correct. In my opinion, these works comply with the relevant requirements in Part J of Schedule 1 to the Building Regulations.

| | | | |
|--|-------|------------|-------|
| Print name & title | _____ | Profession | _____ |
| Capacity | _____ | Tel no | _____ |
| Address | _____ | Postcode | _____ |
| Signed | _____ | Date | _____ |
| Registered membership of (e.g. Gas Safety, OFTEC, HETAS, NACE, NACS) | | | |