

8i bVf] 5%7cbWYH: i Y@bYfg HY.'S% & (' + ' *- (

IRU GRPHVWLF FKLPQH\ V
: i Y7cghb[
PP VT

(PDLO WHFK#GXQEULN FR
:HE ZZZ GXQEULN FR XN

&RVWLQJ HIRU: i Y8YH] 7cghb['
+RXVH WISH +RXVH ZLWK PP , 6)OXH
&XVWRPHU UHI &KLPQH\ +HLJKW PP
6LWH
3ORW QXPEHU

&RVWLQJ US\$ge!*a!cZgYH&& V
)HE'DXVHU\
%\ 6-

3UL2FWQEHW

7ca dcbYblg

DfcXi Wl
WXY

Elm

Df]Wg
YUW

7cgh
æ

7KURDW OLQWHO JDWKHU XQLW PP ZLGH \$) 6
PP IOXH EHQG GHJUHHV %
PP IOXH OLQHU PP WDOO /
PP IOXH OLQHU PP WDOO /6
)OXH OLQHU VHDODQW PO 'XQVHDO
,QILOO DJJUHJDWH NJ PL[IRU YRLG 'XQILO

PP VWUDLJKW PP SRW UHG 567 5
7RSJXDUG ELUGJXDUG FRZO LG UHG 7* 5
)OXH QRWLFH SODWH 3ODWH
PO 6NHOHWRQ *XQ 6HDOJXQ
5HG SRO\SURS\OHQH DLU EULFN PP [PP 5(*
+LJK LPDFW VW\UHQH EODFN FDYLV\ VOHHYH 8B*[PP
6PRNH SHOOHW WXEH 6PRNH

&RVW H[ZRUNV%(&")+
'HOLYHU\ FKDUJH*S"SS
*RRGV æ %&, (")+
9\$7 # & *"- %

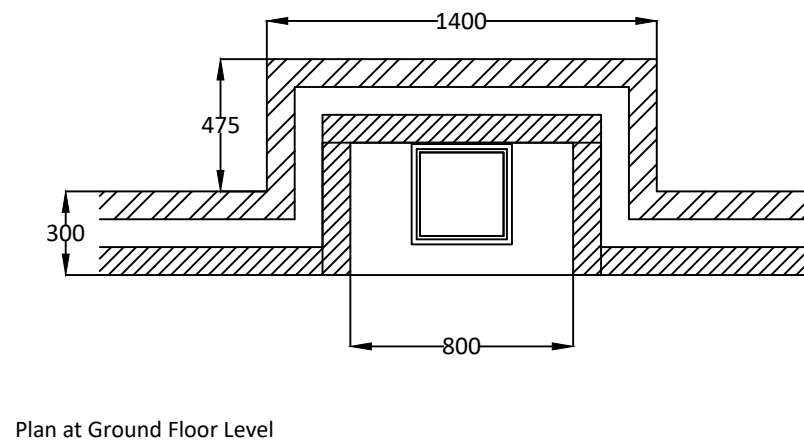
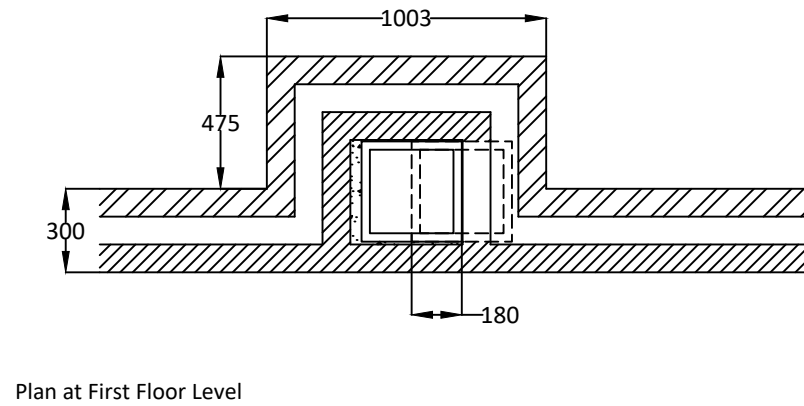
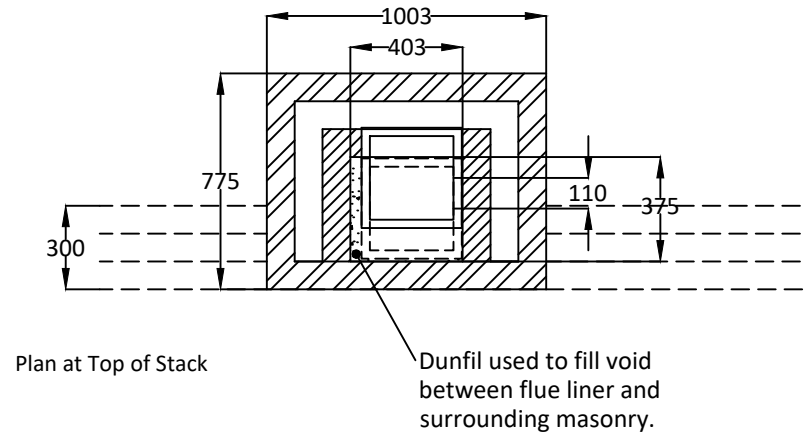
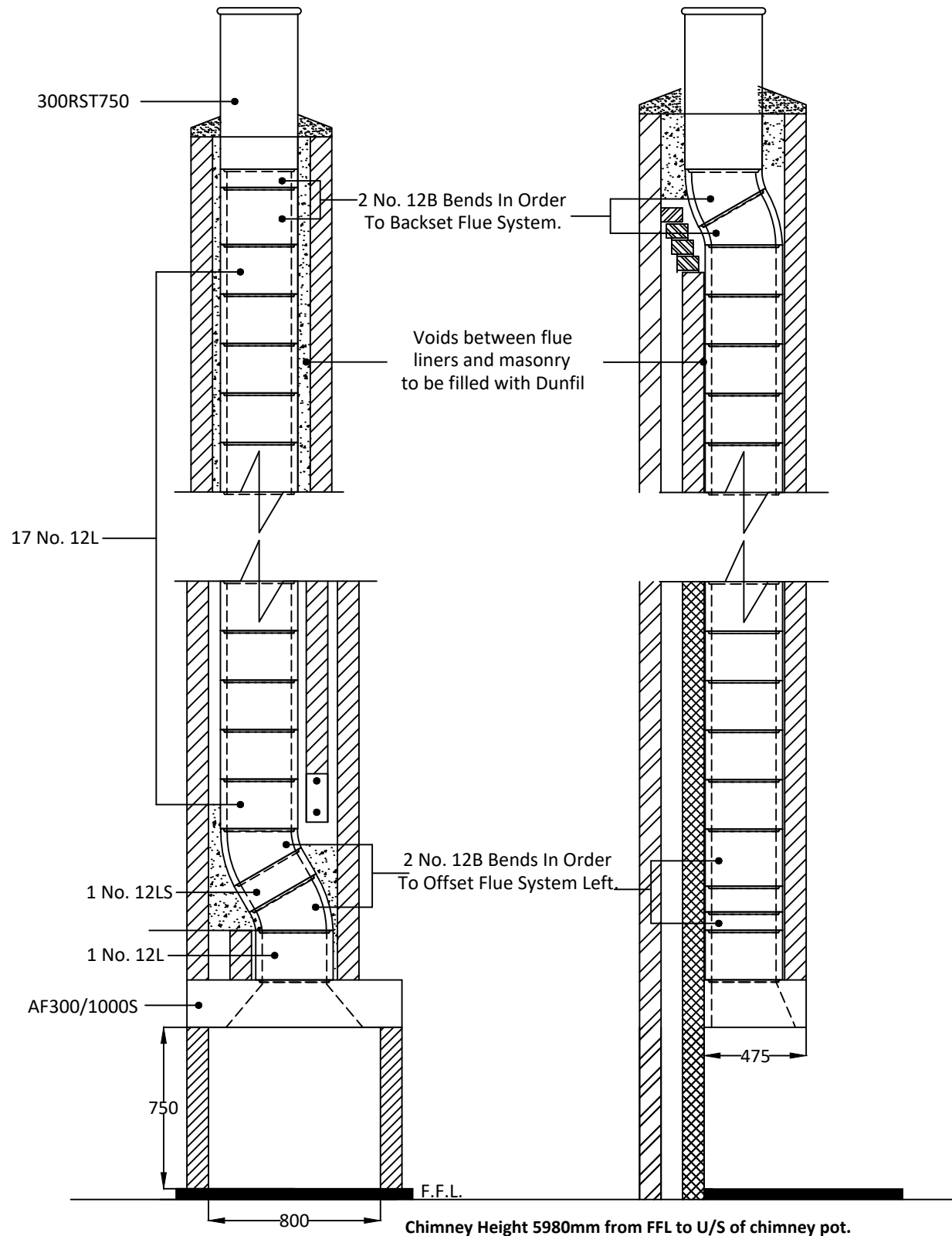
\$OO SULFHV DUH H[ZRUNV YDOLG IRU GD\ DQG DUH VXEMHFW WR 9\$7 æ %&, %&,
&KDUJH IRU LQGLYLGXDOO\ SORWWLQJ PXOWLSOH IOXH RUGHUV LV ... SHU SORW
)UHH GHOLYHU\ IRU RUGHUV RYHU ... QHWW LQYRLFH YDOXH H[9DW WR 8. PDLQODQ
\$OO WUDGLQJ LV VXEMHFW WR RXU VWDQGDUG FRQGLWLRQV RI VDOH FRS\ DYDLODEOH

BclHg

7KLV IOXH FRVWLQJ LV EDVHG RQ LQIRUPDWLRQ SURYLGHG 3OHDVH KDYH \
WR HQVXUH WKDW LW PHHWV ZLWK \RXU UHTXLUHPHQWV 3OHDVH DOVR FKHFN WKH SRV
)RU FRQVWUXFWLRQ JXLGDQFH UHIHU WR WKH IOXH LOOXVWUDWLRQ DQG WKH LQVWDOOD
HY]bZ`lgVUgYXcbU('\$ a a l " +) a a j c]XVYk Yb h Y`bYfg`UbXa Ugcbfm
3OHDVH HQVXUH WKDW WKH IOXH DQG FKLPQH\ DUH FRQVWL
'XQEULN <RUNV /WG)HUU\ /DQH 6WDQOH\ :DNHILHOG :) /7 5HJLVWHUHG LQ (Q

Notes

Chimney Height from FFL to underside of chimney pot.



Dunbrik A1 Concrete Flue Liner System to BS EN 1857

Please have your architect check this typical flue illustration to your drawings to ensure it meets both your requirements and current building regulations.

ALL DIMENSIONS ARE SHOWN IN MILLIMETRES NOT TO SCALE

