

Costing for: **Typical Flue Detail Costing**  
House type House with 300mm I.S. Flue  
Customer ref. Chimney Height 10000mm  
Site  
Plot number

Costing ref **300sq-10m-offset-23B**  
Date 06 February 2024  
By SJ  
Price list October 2023

**Components**

Components	Product code	Qty	Prices each	Cost £
Throat lintel/gather unit 1000mm wide	AF300/1000S	1	108.29	108.29
300mm flue bend 30 degrees	12B	2	52.48	104.96
300mm flue liner 230mm tall	12L	37	28.60	1058.20
300mm flue liner 140mm tall	12LS	1	17.71	17.71
Flue liner sealant 310ml	Dunseal	20	6.68	133.60
Infill aggregate 22kg mix for void	Dunfil	21	6.98	146.58
300mm straight 750mm pot red	300RST750R	1	222.65	222.65
Topguard birdguard cowl 350 id red	TG350R	1	155.06	155.06
Smoke pellet tube	Smoke	1	11.34	11.34
Flue notice plate	Plates	1	7.73	7.73
310ml Skeleton Gun	Sealgun	1	6.40	6.40
Red polypropylene air brick 220mm x 72mm	REDG930	7	0.92	6.44
High impact styrene black cavity sleeve 218mm x 72mm	CSG935	7	5.03	35.21

Cost ex-works *	<b>2014.17</b>
Delivery charge	<b>60.00</b>
Goods	<b>£ 2,074.17</b>
VAT @ 20%	<b>414.83</b>
<b>Total</b>	<b>£ 2,489.00</b>

All prices are ex-works, valid for 30 days and are subject to VAT.

Charge for individually plotting multiple flue orders is £30 per plot.

Free delivery for orders over £1,000 nett invoice value (ex-Vat) to UK mainland excluding the Highlands of Scotland (POA).

All trading is subject to our standard conditions of sale (copy available).

**Notes**

This flue costing is based on information provided. Please have your architect check the costing to your drawings prior to ordering to ensure that it meets with your requirements. Please also check the pot/terminal style and colour.

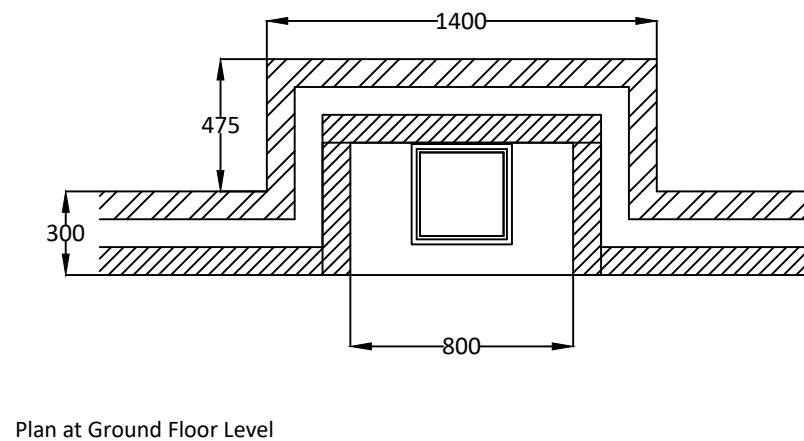
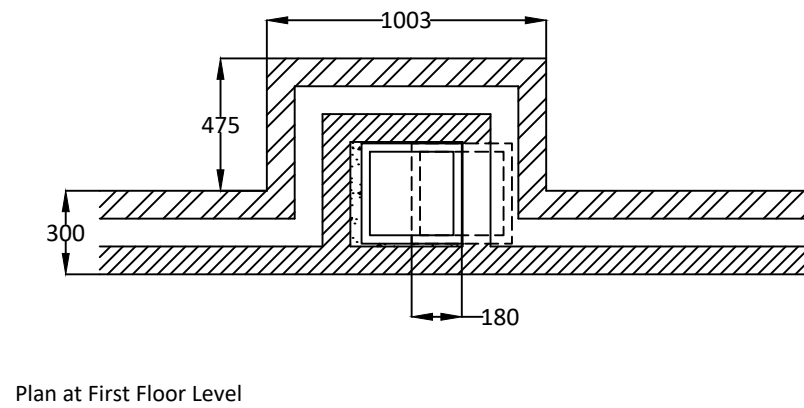
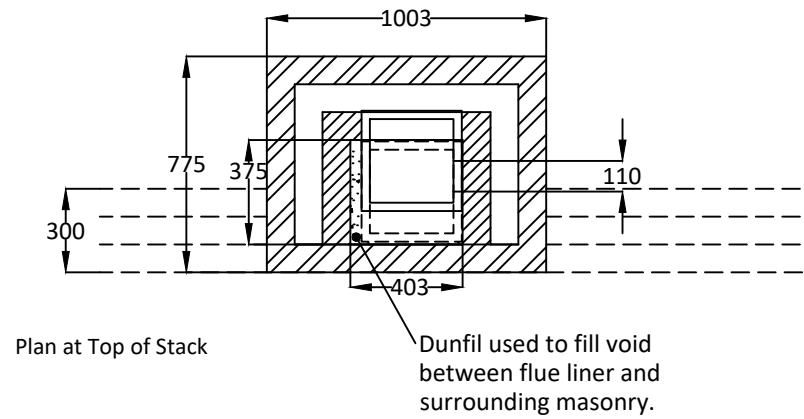
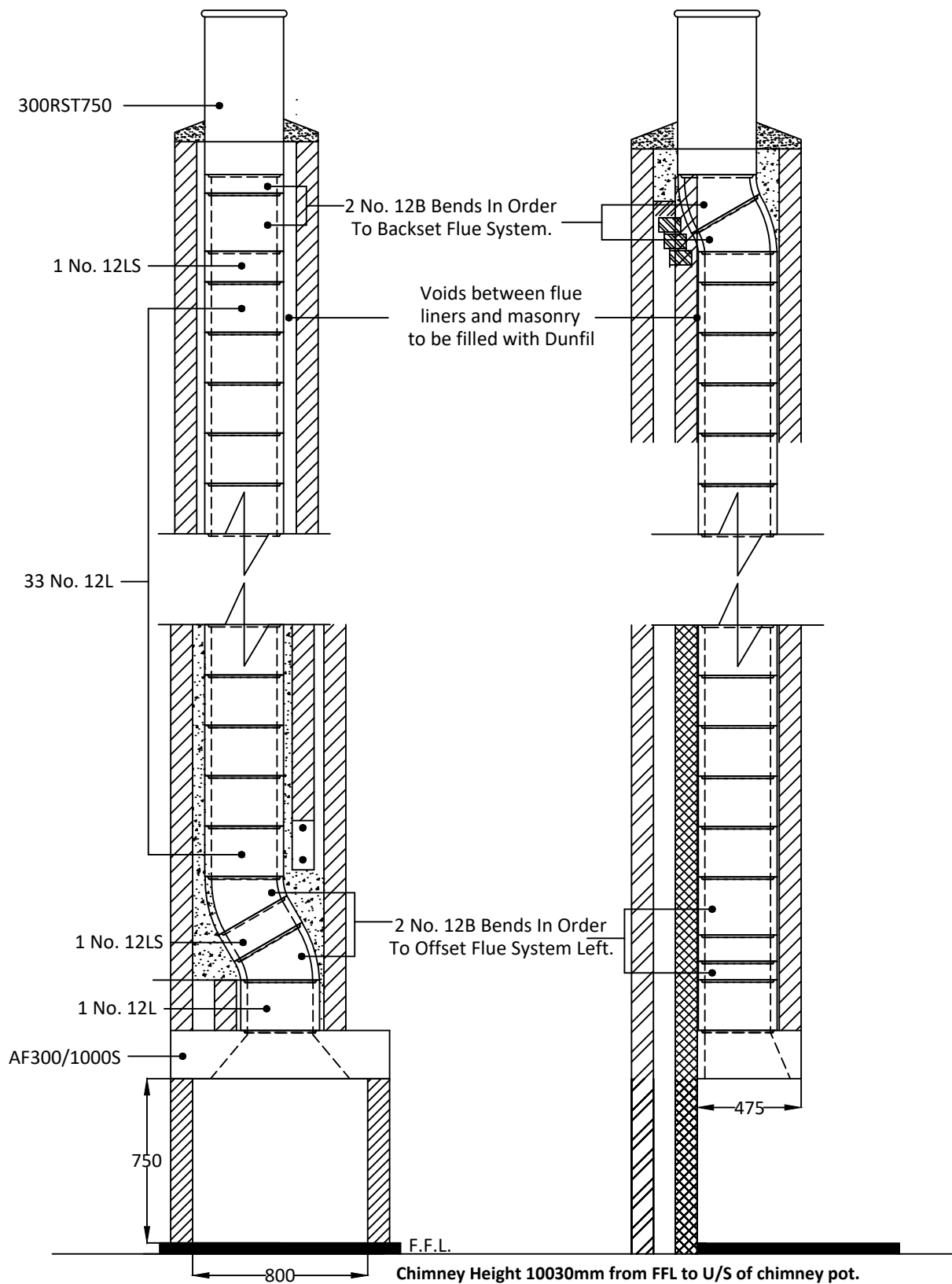
For construction guidance refer to the flue illustration and the installation guide available on our website [www.dunbrikflues.co.uk](http://www.dunbrikflues.co.uk)

**The infill is based on a 465mm x 375mm void between the liners and masonry**

Please ensure that the flue and chimney are constructed in accordance with Building regulations part J

**Notes**

Chimney Height from FFL to underside of chimney pot.



Please have your architect check this typical flue illustration to your drawings to ensure it meets both your requirements and current building regulations.

ALL DIMENSIONS ARE SHOWN IN MILLIMETRES NOT TO SCALE

