

8i bVf] 5%7cbWYH: i Y@bYfg HY: 'S% & (' + ' *- (

IRU GRPHVWLF FKLPQH\ \

: i Y7cghb[

PP LG

(PDLO WHFK#GXQEULN FR

:HE ZZZ GXQEULN FR XN

&RVWLQJ HIRU: i Y8YH] 7cghb[
+RXVH WISH +RXVH ZLWK PP , ')OXH
&XVWRPHU UHI &KLPQH\ +HLJKW PP
6LWH
3ORW QXPEHU

&RVWLQJ USSX+a !cZgYH& 6

)HE'DXVHU\

%\ 6-

3UL2FWQEW

7ca dcbYblg

DfcXi Wl
WXY

Elm

Df]Wg
YUW

7cgh
æ

7KURDW OLQWHO JDWKHU XQLW PP ZLGH
PP IOXH OLQHU EHQG DW GHJUHHV
PP IOXH OLQHU PP WDOO
PP IOXH OLQHU PP WDOO
)OXH OLQHU VHDODQW PO
,QILOO DJJUHJDWH NJ PL[IRU YRLG

7/
%
/
/
'XQVHDO
'XQILO

PP VWUDLJKW PP SRW UHG
7RSJXDUG ELUGJXDUG FRZO LG UHG
)OXH QRWLFH SODWH
PO 6NHOHWRQ *XQ
5HG SRO\SURS\OHQH DLU EULFN PP [PP
+LJK LPSDFW VW\UHQH EODFN FDYLV\ VOHHYH
6PRNH SHOOHW WXEH

567 5
7* 5
3ODWH
6HDOJXQ
5(' *
8B*[PP
6PRNH

\$OO SULFHV DUH H[ZRUNV YDOLG IRU GD\ DQG DUH VXEMHFW WR 9\$7 æ %æ, '"" %
&KDUJH IRU LQGLYLGXDOO\ SORWWLQJ PXOWLSOH IOXH RUGHUV LV ... SHU SORW
)UHH GHOLYHU\ IRU RUGHUV RYHU ... QHWW LQYRLFH YDOXH H[9DW WR 8. PDLQODQ
\$OO WUDGLQJ LV VXEMHFW WR RXU VWDQGDUG FRQGLWLRQV RI VDOH FRS\ DYDLODEOH

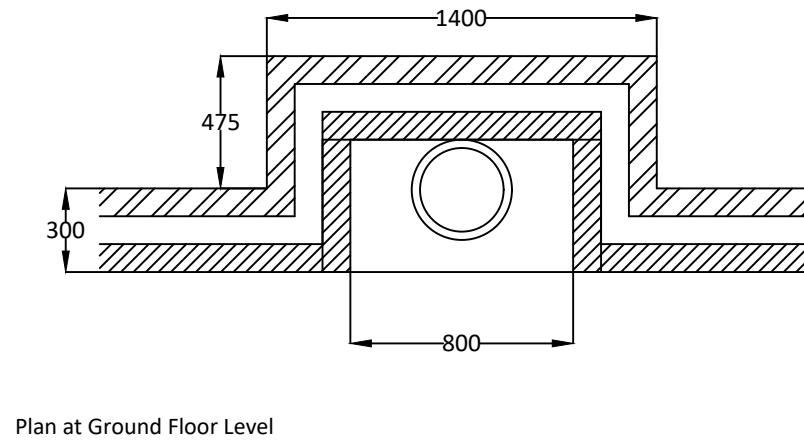
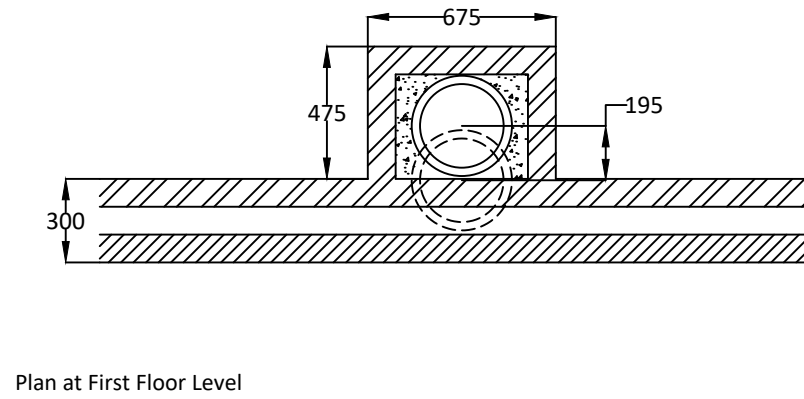
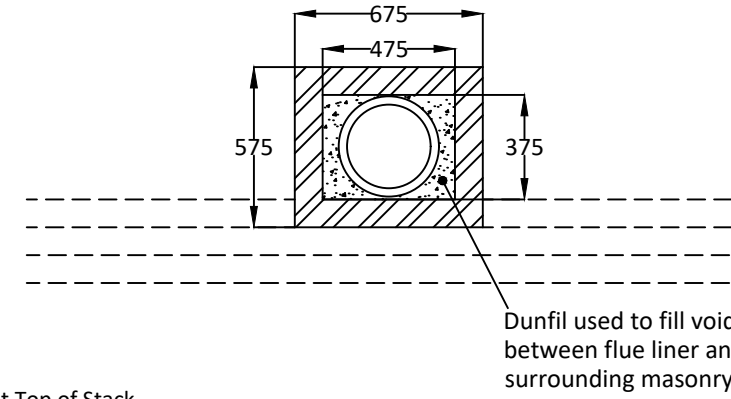
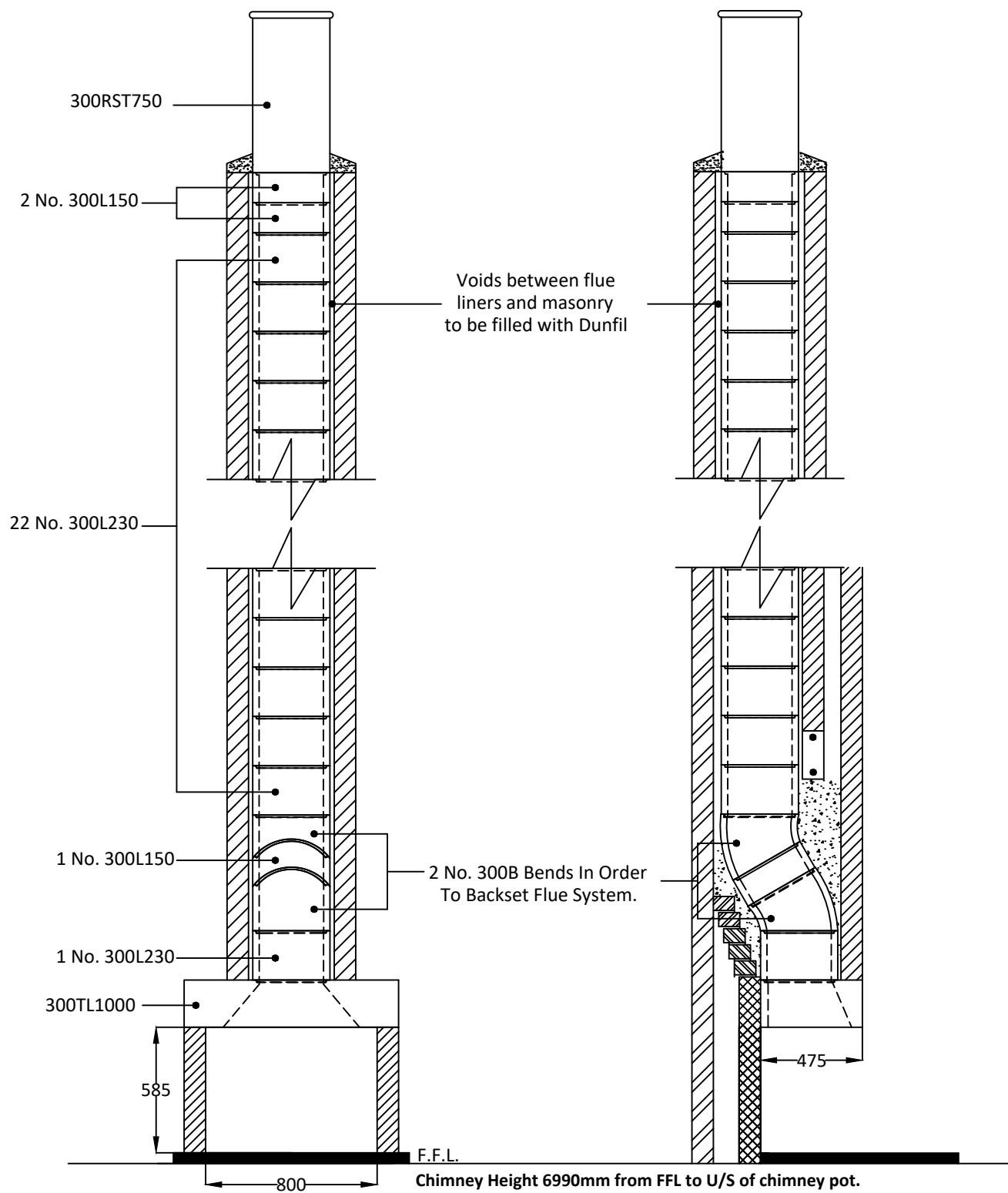
&RVW H[ZRUNV % - &' *
'HOLYHU\ FKDUJH *S"SS
*RRGV æ %æ) &' *
9\$7 # (' S')

BclHg

7KLV IOXH FRVWLQJ LV EDVHG RQ LQIRUPDWLRQ SURYLGHG 3OHDVH KDYH \
WR HQVXUH WKDW LW PHHWV ZLWK \RXU UHTXLUHPHQWV 3OHDVH DOVR FKHFN WKH SRV
)RU FRQVWUXFWLRQ JXLGDQFH UHIHU WR WKH IOXH LOOXVWUDWLRQ DQG WKH LQVWDOOD
HY]bZ ``lg VUgYXcbU(+a a l " +) a a jc]XVYk Yb h Y ``bYfg UbXa Ugcbfm
3OHDVH HQVXUH WKDW WKH IOXH DQG FKLPQH\ DUH FRQVWL
'XQEULN <RUNV /WG)HUU\ /DQH 6WDQOH\ :DNHILHOG :) /7 5HJLVWHUHG LQ (Q

Notes

Chimney Height of 6990mm from FFL to underside of chimney pot.



Please have your architect check this typical flue illustration to your drawings to ensure it meets both your requirements and current building regulations.

ALL DIMENSIONS ARE SHOWN IN MILLIMETRES NOT TO SCALE

