

Costing for: **Typical Flue Detail Costing**  
House type House with 300mm I.D. Flue  
Customer ref. Chimney Height 6990  
Site  
Plot number

Costing ref **SJ 300id-7m-offset-23A**  
Date 16 October 2023  
By SJ  
Price list October 2023

**Components**

**Dunbrik A1 concrete flue liner system**

	<b>Product code</b>	<b>Qty</b>	<b>Prices each</b>	<b>Disc %</b>	<b>Cost £</b>
Throat lintel/gather unit 1000mm wide	300TL1000	1	108.29		108.29
300mm flue liner bend at 30 degrees	300B	2	49.96		99.92
300mm flue liner 230mm tall	300L230	23	27.26		626.98
300mm flue liner 150mm tall	300L150	3	16.89		50.67
300mm straight 750mm pot red	300RST750R	1	222.65		222.65
Flue liner sealant 310ml	Dunseal	14	6.68		93.52
Infill aggregate 22kg mix for void	Dunfil	25	6.98		174.50
Flue notice plate	Plate	1	7.73		7.73
Topguard birdguard cowl 350 id red	TG350R	1	155.06		155.06

**Total for system components**

Cost ex-works	<b>1539.32</b>
Delivery charge	<b>60.00</b>
Goods	<b>£ 1,599.32</b>
VAT @ 20%	<b>319.86</b>
<b>Total</b>	<b>£ 1,919.18</b>

**Additional products (if required)**

Smoke pellet tube	Smoke	1	11.34		11.34
310ml Skeleton Gun	Sealgun	1	6.40		6.40
Red polypropylene air brick 220mm x 72mm	REDG930	6	0.92		5.52
High impact styrene black cavity sleeve 218mm x 72mm	CSG935	6	5.03		30.18

Plus VAT @ 20%

All prices are ex-works, valid for 30 days and are subject to VAT.  
Charge for individually plotting multiple flue orders is £30 per plot.  
Free delivery for orders over £1,000 invoice value (ex-Vat) to UK mainland excluding the Highlands of Scotland (POA).  
All trading is subject to our standard conditions of sale (copy available).

**Notes**

This flue costing is based on information provided. Please have your architect check the costing to your drawings prior to ordering, to ensure that it meets with your requirements. Please also check the pot/terminal style and colour.

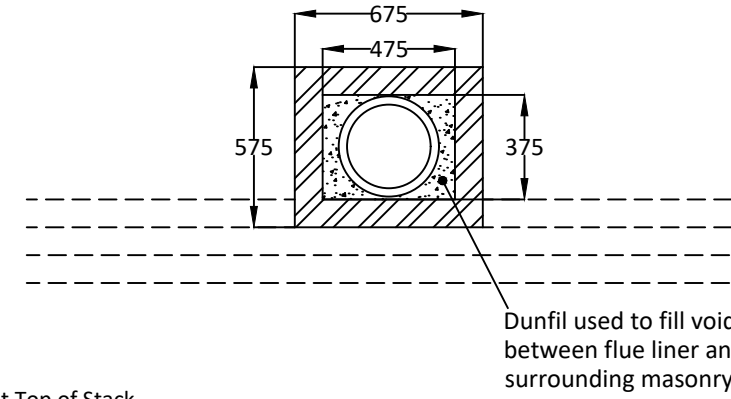
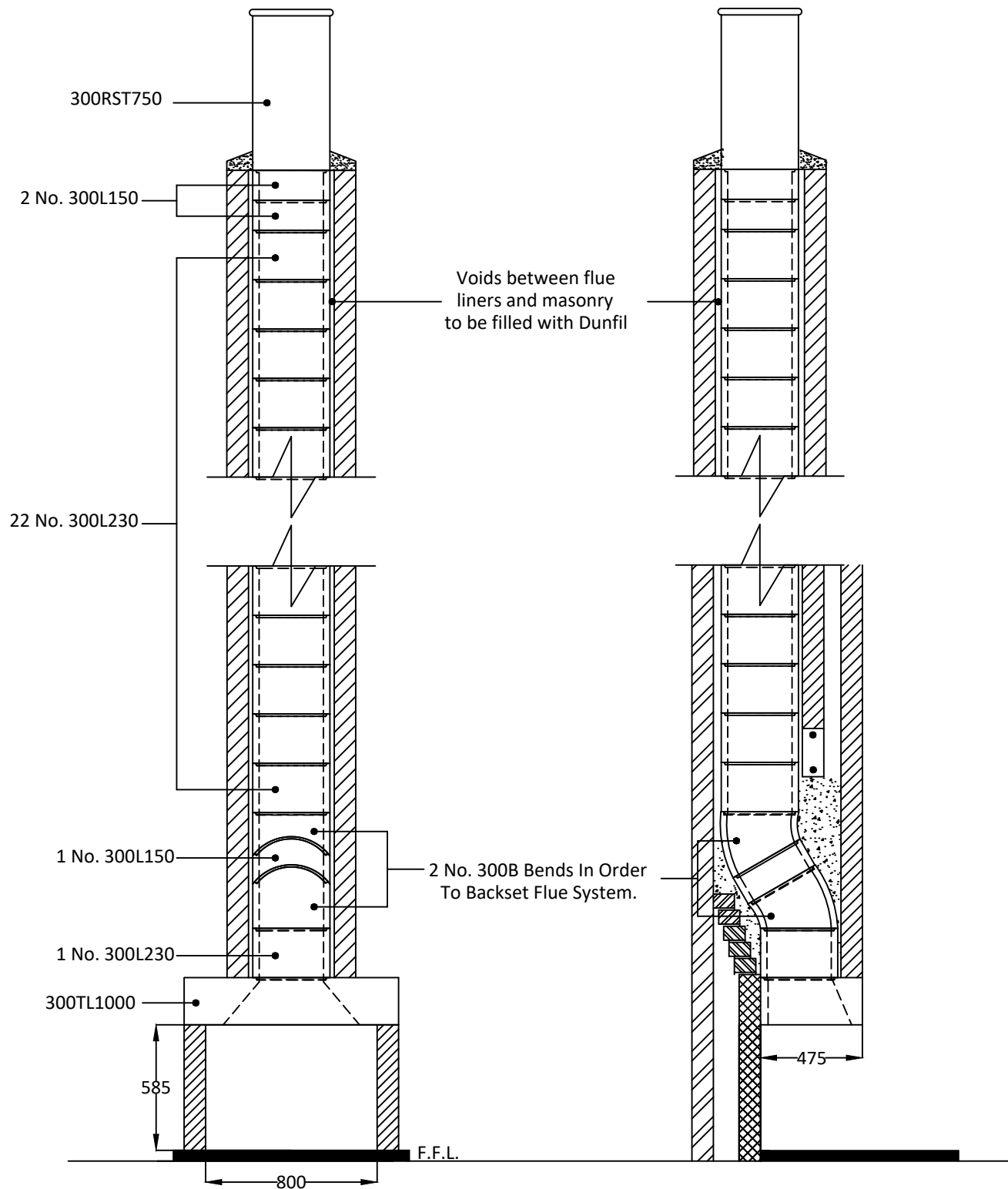
For construction guidance refer to the flue illustration and the installation guide available on our website [dunbrikflues.co.uk](http://dunbrikflues.co.uk)

**The infill is based on a 475mm x 375mm void between the liners and masonry**

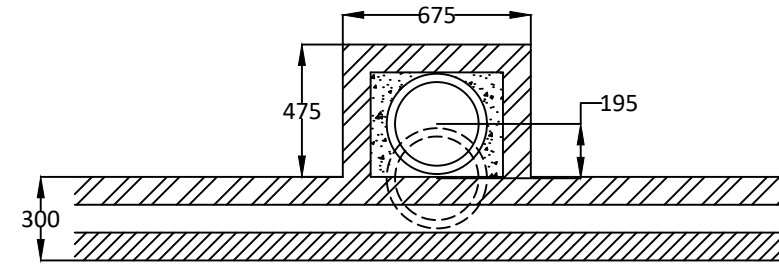
Please ensure that the flue and chimney are constructed in accordance with Building regulations part J

**Notes**

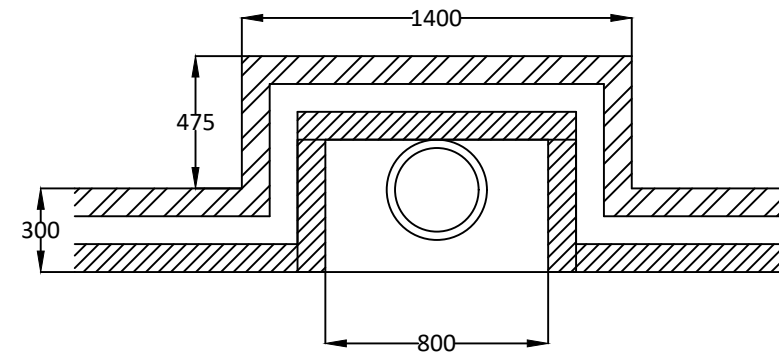
Chimney Height of 6990mm from FFL to underside of chimney pot.



Plan at Top of Stack



Plan at First Floor Level



Plan at Ground Floor Level

Dunbrik A1 Concrete Flue Liner System to BS EN 1857

Please have your architect check this estimate to your drawings to ensure it meets both your requirements and current building regulations, british standards and codes of practice.

**ALL DIMENSIONS ARE SHOWN IN MILLIMETRES NOT TO SCALE**

