



8i bVf_ '5%7cbWYH: i Y@bYfg

IRU GRPHVWLF FKLPQH\ \

: i Y7cghb[

PP LG

HY. 'S% & (' + ' *- (

(PDLO WHFK#GXQEULN FR XN

:HE ZZZ GXQEULN FR XN

&RVWLQJ HIRU: i Y8YH\ '7cghb[
+RXVH W\SH +RXVH ZLWK PP , ')OXH
&XVWRPHU UHI &KLPQH\ +HLJKW PP
6LWH
3ORW QXPEHU

&RVWLQJ US\$X! *a !cZgYH&& 6

)HE'UXVHU\

%\ 6-

3 U L2FW Q EHW

7ca dcbYblg

DfcXi M
WXY

Elm

DfjWg
YUW

'7cgh
œ

7KURDW OLQWHO JDWKHU XQLW PP ZLGH
PP IOXH OLQHU EHQG DW GHJUHHV
PP IOXH OLQHU PP WDOO
PP IOXH OLQHU PP WDOO
)OXH OLQHU VHDODQW PO
,QILOO DJJUHJDWH NJ PL[IRU YRLG

PP VWUDLJKW PP SRW UHG
7RSJXDUG ELUGJXDUG FRZO LG UHG
)OXH QRWLFH SODWH
PO 6NHOHWRQ *XQ
5HG SRO\SURS\OHQH DLU EULFN PP [PP
+LJK LPDFW VW\UHQH EODFN FDYLW\ VOHHYH
6PRNH SHOOHW WXEH

7/
%
/
/
'XQVHDO
'XQILO

567 5
7* 5
3ODWH
6HDOJXQ
5(' *
88*[PP
6PRNH

&RVW H[ZRUNV%' &'(*

'HOLYHU\ FKDUJH*'S'SS

RRGV œ %& - &'(

9\$7 # & . "(-

œ %& - S' -)

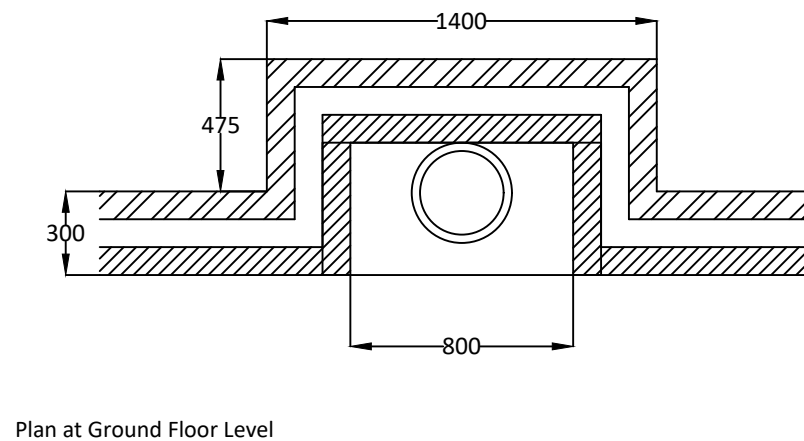
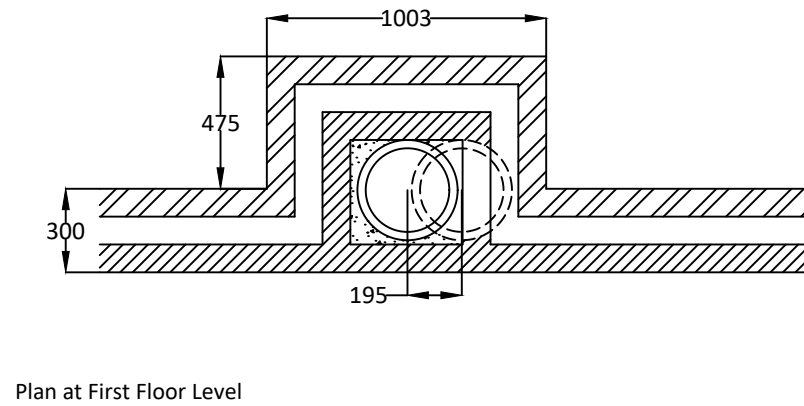
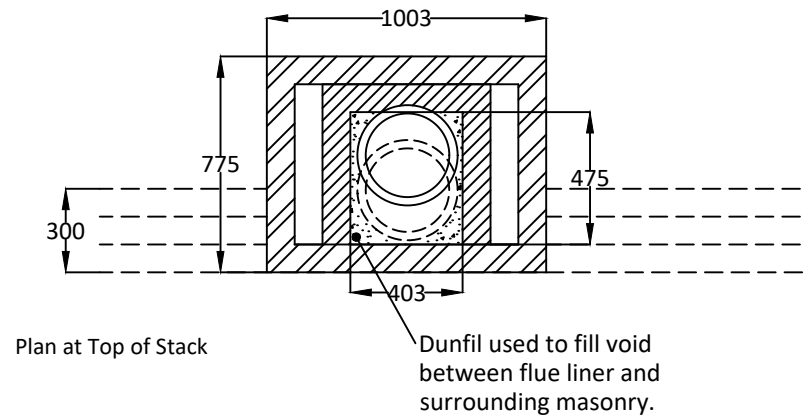
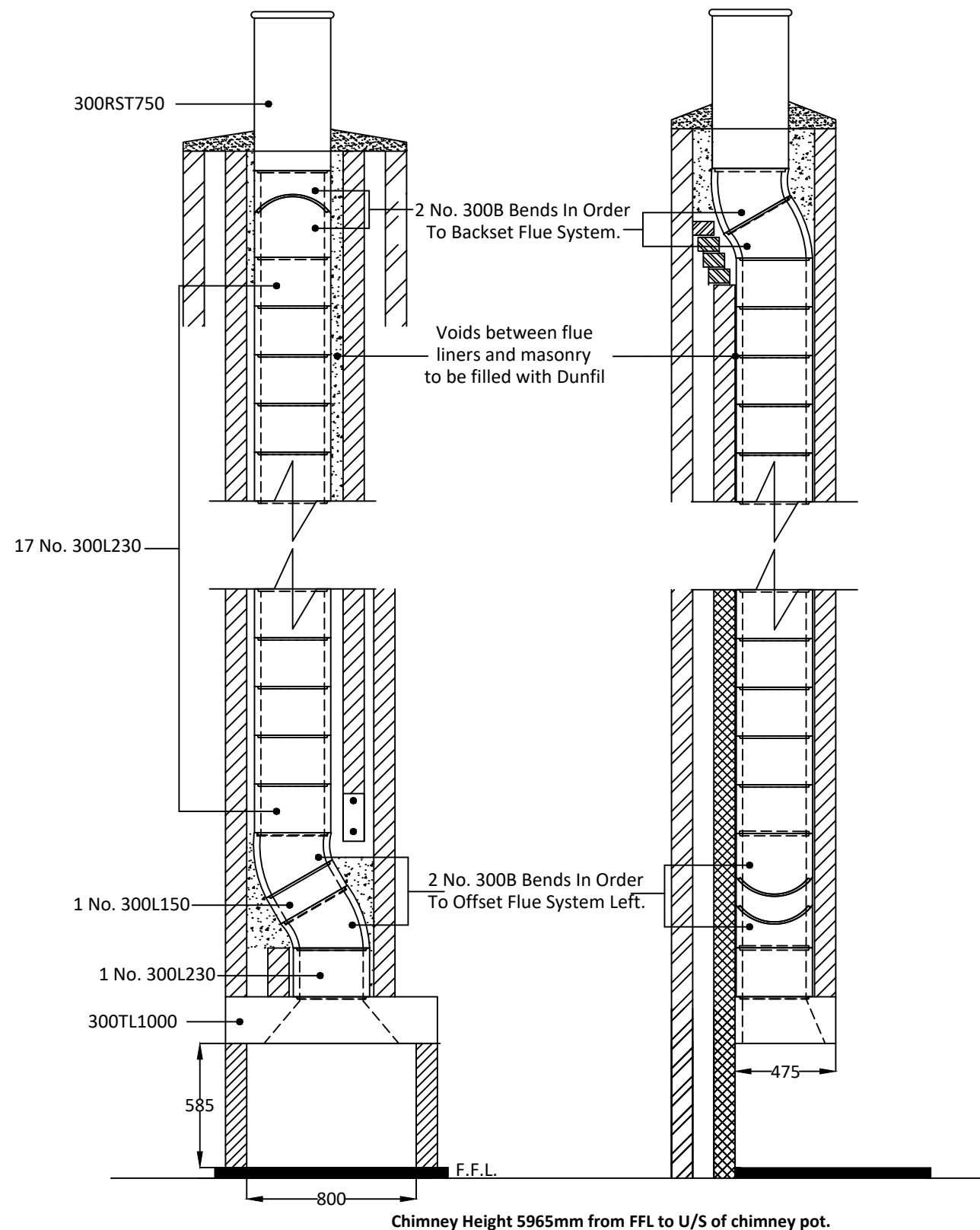
\$OO SULFHV DUH H[ZRUNV YDOLG IRU GD\ DQG DUH VXEMHFW WR 9\$7
&KDUJH IRU LQGLYLGXDOO\ SORWWLQJ PXOWLSOH IOXH RUGHUV LV ... SHU SORW
)UHH GHOLYHU\ IRU RUGHUV RYHU ... QHWW LQYRLFH YDOXH H[9DW WR 8. PDLQODQ
\$OO WUDGLQJ LV VXEMHFW WR RXU VWDQGDUG FRQGLWLRQV RI VDOH FRS\ DYDLODEOH

BclHg

7KLV IOXH FRVWLQJ LV EDVHG RQ LQIRUPDWLRQ SURYLGHG 3OHDVH KDYH \
WR HQVXUH WKDW LW PHHWV ZLWK \RXU UHTXLUHPHQWV 3OHDVH DOVR FKHFN WKH SRV
)RU FRQVWUXFWLRQ JXLGDQFH UHIHU WR WKH IOXH LOOXVWUDWLRQ DQG WKH LQVWDOOD
HY\ bZ ``lg VUgYXcbU(\$ a a l " +) a a j c]XVYk Yb h Y ``bYfg UbXa Ugcbfm
3OHDVH HQVXUH WKDW WKH IOXH DQG FKLPQH\ DUH FRQVWL
'XQEULN <RUNV /WG)HUU\ /DQH 6WDQOH\ :DNHILHOG :) /7 5HJLVWHUHG LQ (Q

Notes

Chimney Height taken from FFL to underside of chimney pot.



Dunbrik A1 Concrete Flue Liner System to BS EN 1857

Please have your architect check this typical flue illustration to your drawings to ensure it meets both your requirements and current building regulations.

ALL DIMENSIONS ARE SHOWN IN MILLIMETRES NOT TO SCALE

The checklist is based on Building Regulations ADJ Appendix A. with Dunbrik flue liner system data. The builder/installer should insert details of the actual fireplace opening sizes, actual ventilation installed and any variations to the usual data.

For	Typical Flue Detail Costing	Costing ref	300id-6m-offset-2-23B
Site at		Plot number	
System	Dunbrik 300mm id A1 concrete flue liners	House type	House with 300mm I.D. Flue
Date	24 Jan 2024	Customer ref.	Chimney Height 5965mm

Checklist for hearths, fireplaces, flues and chimneys

This checklist can help you to ensure hearths, fireplaces, flues and chimneys are satisfactory. If you have been directly engaged, copies should also be offered to the client and to the Building Control body to show what you have done to comply with the requirements of part J. If you are a sub-contractor, a copy should be offered to the main contractor.

Items listed in ADJ Appendix A	Details for builder to complete or amend	
1 Building address, where work has been carried out		
		Amend
2 Identification of hearth, fireplace, chimney or flue.	Fireplace in lounge	
3 Firing capability: solid fuel/gas/oil/all	All	
4 Intended type of appliance. State type or make. If open fire give finished fireplace opening dimensions.	For gas fire or solid fuel fire 471,200 sq.mm maximum	
5 Ventilation provisions for the appliance State type and area of permanently open air vents	Through wall ventilation 35,300 sq mm minimum	
6 Chimney or flue construction a) State the type or make and whether new or existing. b) Internal flue size (and equivalent flue height, where calculated natural draught gas appliances only). c) If liners are used confirm they are correctly jointed in accordance with manufacturers instructions and state jointing materials used. d) If an existing chimney has been refurbished with a new liner, type or make of liner fitted. e) Details of flue outlet terminal Outlet detail Complies with: f) Number and angle of bends. g) Provision for cleaning and recommended frequency.	New masonry chimney with: Dunbrik A1 concrete flue liners to BSEN1857 300mm internal diameter Tongue downwards into rebate and joined with Dunseal fireproof mortar 300mm straight 750mm pot BSEN13502:2002 4 bends ref 300B at 22.5 degrees Annually via fireplace opening	
7 Hearth. Form of construction. New or existing	New As diagram 25 in ADJ	
8 Inspection and testing after completion Test (Appendix E in AD J 2002) and results Flue inspection results Visual Sweeping Coring ball Smoke Appliance (where included) Spillage	Tests carried out by:	

I/We the undersigned confirm that the above details are correct. In my opinion, these works comply with the relevant requirements in Part J of Schedule 1 to the Building Regulations.

Print name & title	_____	Profession	_____
Capacity	_____	Tel no	_____
Address	_____	Postcode	_____
Signed	_____	Date	_____
Registered membership of (e.g. Gas Safety, OFTEC, HETAS, NACE, NACS)			