

Costing for: <b>Typical Flue Detail Costing</b>	Costing ref: <b>SJ 300id-10m-offset-2-23A</b>
House type: House with 300mm I.D. Flue	Date: 19 October 2023
Customer ref. Chimney Height 10035	By: SJ
Site:	Price list: October 2023
Plot number:	

Components	Product code	Qty	Prices each	Disc %	Cost £
<b>Dunbrik A1 concrete flue liner system</b>					
Throat lintel/gather unit 1000mm wide	300TL1000	1	108.29		108.29
300mm flue liner bend at 30 degrees	300B	4	49.96		199.84
300mm flue liner 230mm tall	300L230	35	27.26		954.10
300mm flue liner 150mm tall	300L150	2	16.89		33.78
300mm straight 750mm pot red	300RST750R	1	222.65		222.65
Flue liner sealant 310ml	Dunseal	21	6.68		140.28
Infill aggregate 22kg mix for void	Dunfil	23	6.98		160.54
Flue notice plate	Plate	1	7.73		7.73
Topguard birdguard cowl 350 id red	TG350R	1	155.06		155.06

**Total for system components**

Cost ex-works	<b>1982.27</b>
Delivery charge	<b>60.00</b>
Goods	<b>£ 2,042.27</b>
VAT @ 20%	<b>408.45</b>
<b>Total</b>	<b>£ 2,450.72</b>

**Additional products (if required)**

Smoke pellet tube	Smoke	1	11.34		11.34
310ml Skeleton Gun	Sealgun	1	6.40		6.40
Red polypropylene air brick 220mm x 72mm	REDG930	6	0.92		5.52
High impact styrene black cavity sleeve 218mm x 72mm	CSG935	6	5.03		30.18

Plus VAT @ 20%

All prices are ex-works, valid for 30 days and are subject to VAT.  
Charge for individually plotting multiple flue orders is £30 per plot.  
Free delivery for orders over £1,000 nett invoice value (Ex-Vat) to UK mainland excluding the Highlands of Scotland (POA).  
All trading is subject to our standard conditions of sale (copy available).

**Notes**

This flue costing is based on information provided. Please have your architect check the costing to your drawings prior to ordering, to ensure that it meets with your requirements. Please also check the pot/terminal style and colour.

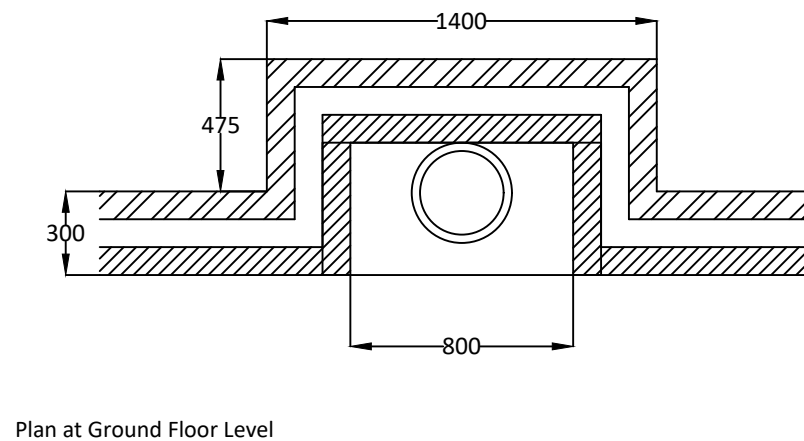
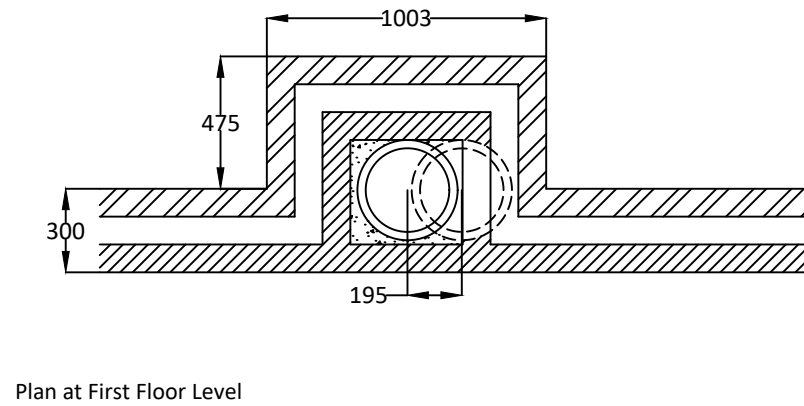
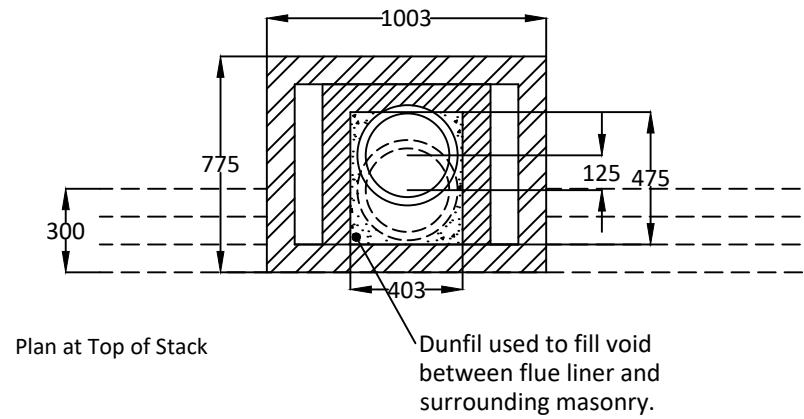
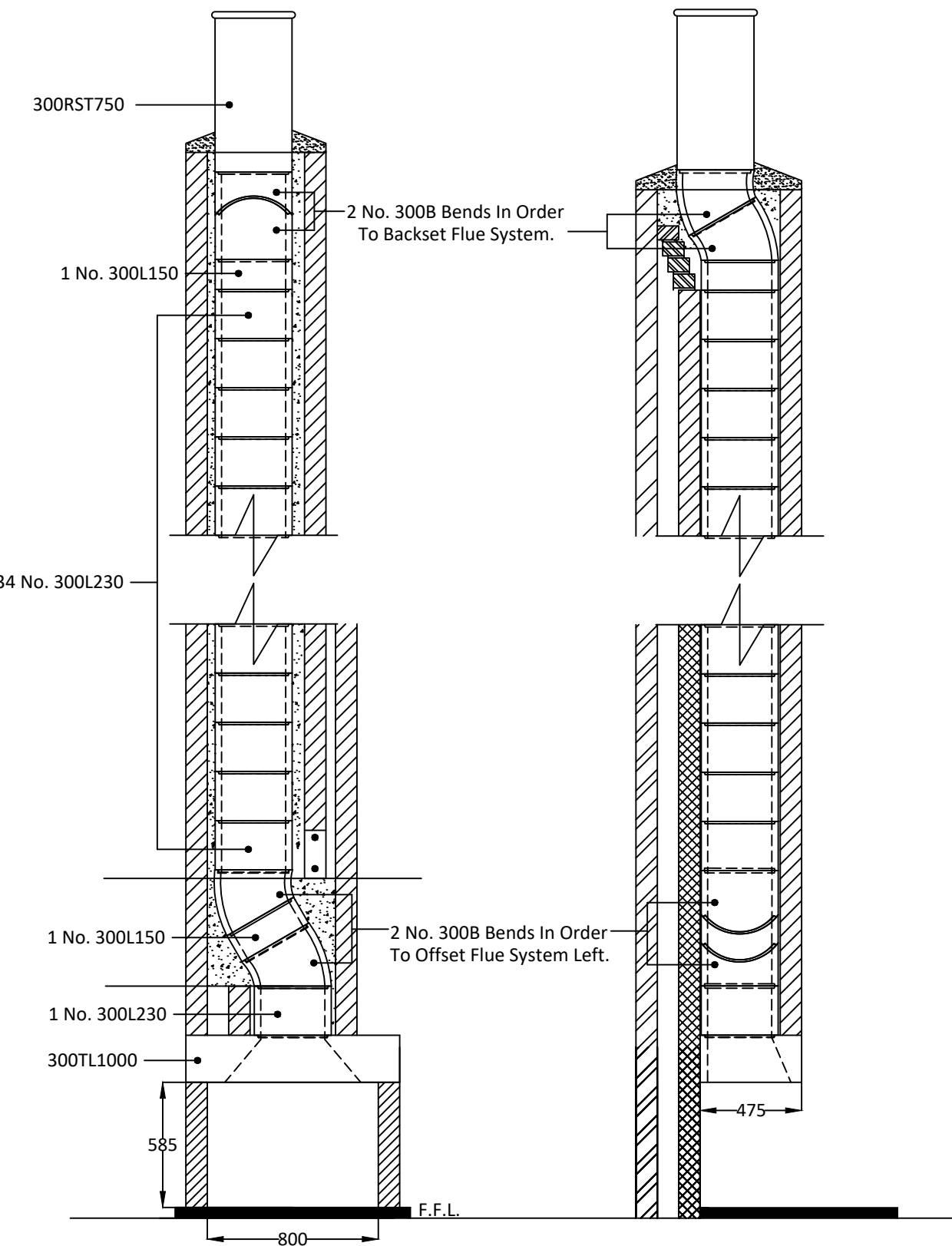
For construction guidance refer to the flue illustration and the installation guide available on our website [dunbrikflues.co.uk](http://dunbrikflues.co.uk)

**The infill is based on a 403mm x 375mm void between the liners and masonry**

Please ensure that the flue and chimney are constructed in accordance with Building regulations part J

**Notes**

Chimney Height from FFL to underside of chimney pot.



Please have your architect check this estimate to your drawings to ensure it meets both your requirements and current building regulations, british standards and codes of practice.

**ALL DIMENSIONS ARE SHOWN IN MILLIMETRES  
 NOT TO SCALE**

