

Costing for: Typical Flue Detail Costing	Costing ref: 250sq-9m-offset-2-23B
House type: House With 250mm I.S. Flue	Date: 02 February 2024
Customer ref. Chimney Height 9065mm from FFL to U/S of chimney pot	By: SJ
Site:	Price list: October 2023
Plot number:	

Components	Product code	Qty	Prices each	Cost £
Throat lintel/gather unit 1000mm wide	AF250/1000S	1	108.29	108.29
250mm flue bend 30 degrees	10B	4	28.57	114.28
250mm flue liner 230mm tall	10L	32	15.09	482.88
250mm flue liner 140mm tall	10LS	1	9.10	9.10
Flue liner sealant 310ml	Dunseal	19	6.68	126.92
Infill aggregate 22kg mix for void	Dunfil	9	6.98	62.82
Square based round pot red	SBRP685R	1	133.25	133.25
Topguard birdguard cowl 260 tall red	TG260R	1	101.36	101.36
Smoke pellet tube	Smoke	1	11.34	11.34
Flue notice plate	Plate	1	7.73	7.73
310ml Skeleton Gun	Sealgun	1	6.40	6.40
Red polypropylene air brick 220mm x 72mm	REDG930	5	0.92	4.60
High impact styrene black cavity sleeve 218mm x 72mm	CSG935	5	5.03	25.15

Cost ex-works *	1194.12
Delivery charge	60.00
Goods	£ 1,254.12
VAT @ 20%	250.82
Total	£ 1,504.94

All prices are ex-works, valid for 30 days and are subject to VAT.
Charge for individually plotting multiple flue orders is £30 per plot.
Free delivery for orders over £1,000 nett invoice value (ex-Vat) to UK mainland excluding the Highlands of Scotland (POA).
All trading is subject to our standard conditions of sale (copy available).

Notes

This flue costing is based on information provided. Please have your architect check the costing to your drawings prior to ordering to ensure that it meets with your requirements. Please also check the pot/terminal style and colour.

For construction guidance refer to the flue illustration and the installation guide available on our website www.dunbrikflues.co.uk

The infill is based on a 353mm x 325mm void between the liners and masonry

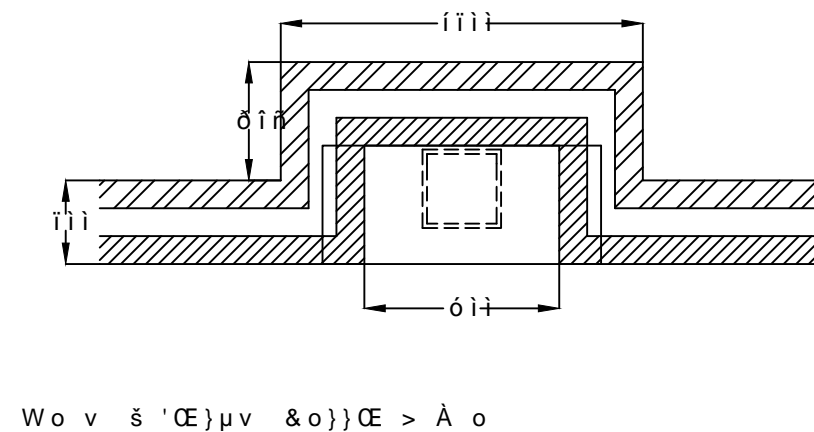
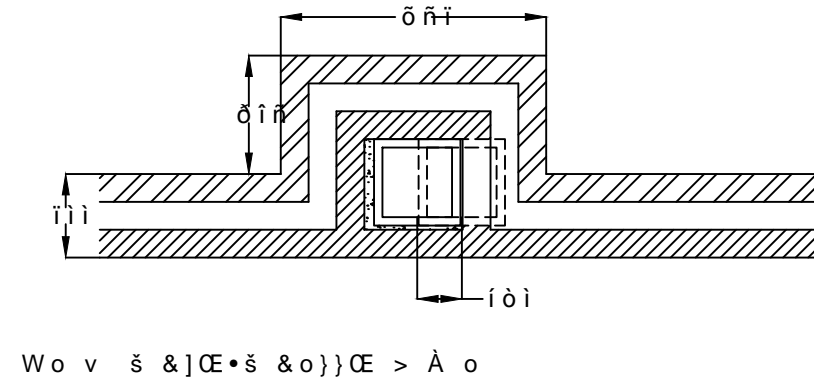
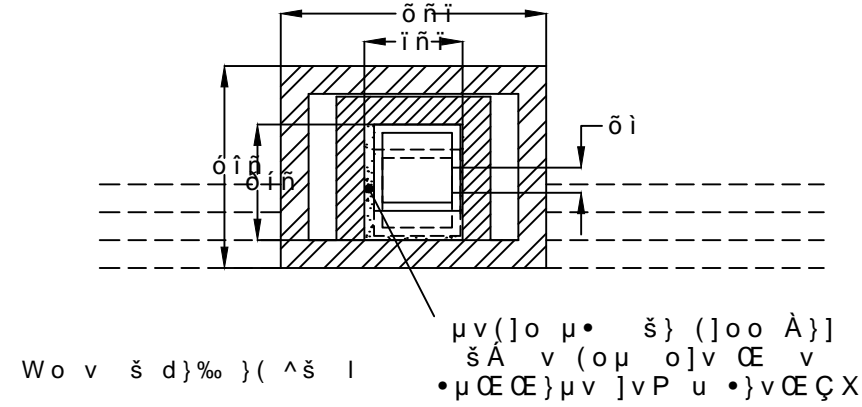
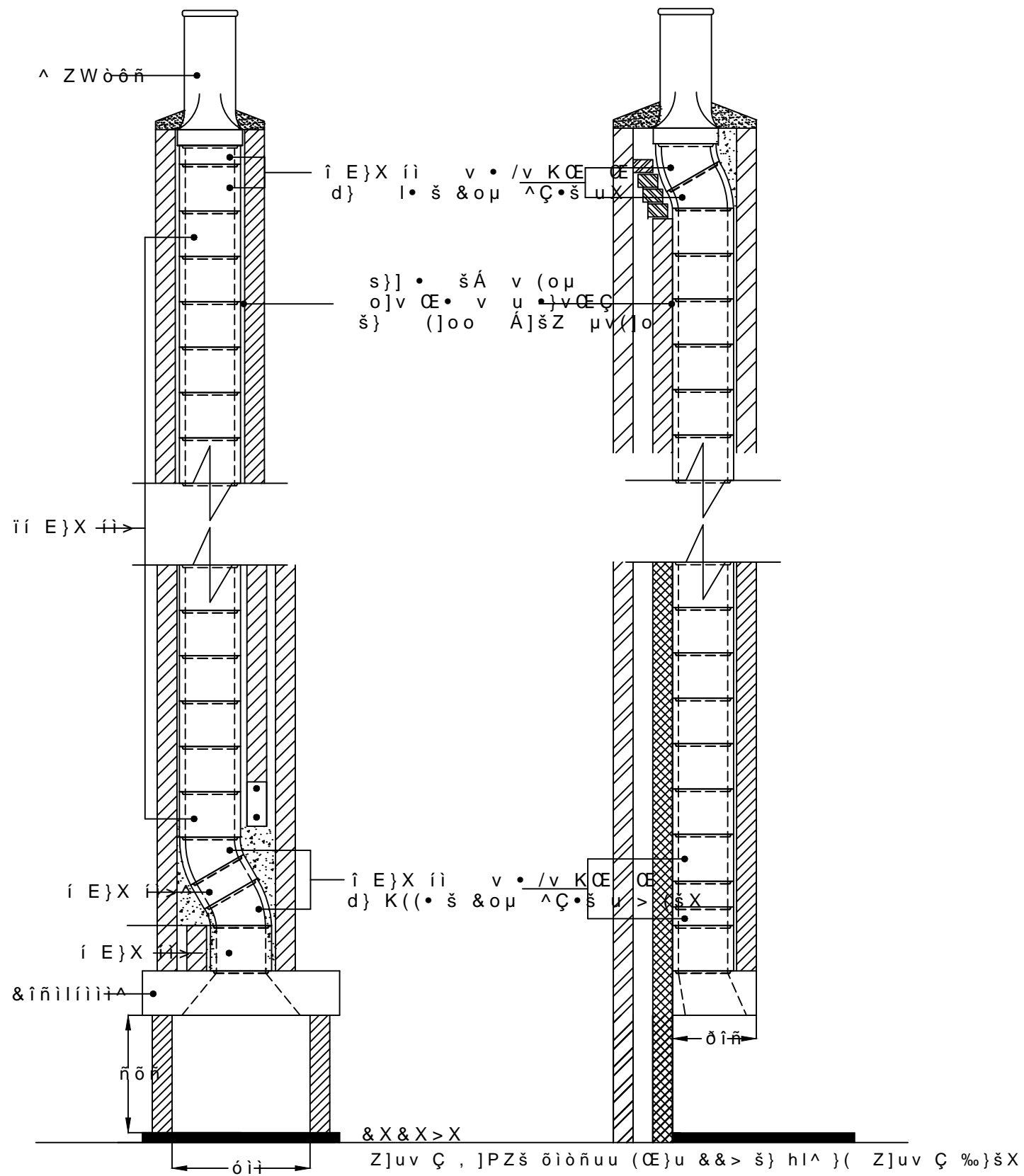
Please ensure that the flue and chimney are constructed in accordance with Building regulations part J

^ u%o iñiuu /X^X (oμ o]v Œ •Ç•š u (}Œ }% v (}Œ A]šZ }((• šX
 Z (W•<rōur}((• šrîî

d o %Z}v W iîðîð ióîðõð u]oW š Z> μv Œ]IX }Xμl t W ÁÁÁX μv Œ]IX }Xμl

E } š •

Z]uv Ç ,]PZš } (ðiðñuu (Œ}u &
 Z]uv Ç %}šX



Wo • Z À Ç}μŒ Œ Z]š š Z
 (oμ]ooμ•šŒ š}}v š} Ç}μŒ Œ
 u š• }šZ Ç}μŒ Œ <μŒ u v š•
 μ]o]vP Œ Pμo š}}v•X

μv Œ]l i }v Œ š &oμ >]v Œ ^Ç•š #u š} '05+105 #4' 5*190 +0 /+..+/'64'
 016 61 5%#.'

The checklist is based on Building Regulations ADJ Appendix A. with Dunbrik flue liner system data. The builder/installer should insert details of the actual fireplace opening sizes, actual ventilation installed and any variations to the usual data.

For	Typical Flue Detail Costing	Costing ref	250sq-9m-offset-2-23B
Site at		Plot number	
System	Dunbrik 250mm sq. A1 concrete flue liners	House type	House With 250mm I.S. Flue
Date	02 Feb 2024	Customer ref.	Chimney Height 9065mm from FFL to U/S of chimney pot

Checklist for hearths, fireplaces, flues and chimneys

This checklist can help you to ensure hearths, fireplaces, flues and chimneys are satisfactory. If you have been directly engaged, copies should also be offered to the client and to the Building Control body to show what you have done to comply with the requirements of part J. If you are a sub-contractor, a copy should be offered to the main contractor.

Items listed in ADJ Appendix A	Details for builder to complete or amend	
1 Building address, where work has been carried out		Amend
2 Identification of hearth, fireplace, chimney or flue.	Fireplace in lounge	
3 Firing capability: solid fuel/gas/oil/all	All	
4 Intended type of appliance. State type or make. If open fire give finished fireplace opening dimensions.	For gas fire or solid fuel fire 416,700 sq.mm maximum	
5 Ventilation provisions for the appliance State type and area of permanently open air vents	Through wall ventilation 31,200 sq mm minimum	
6 Chimney or flue construction a) State the type or make and whether new or existing. b) Internal flue size (and equivalent flue height, where calculated natural draught gas appliances only). c) If liners are used confirm they are correctly jointed in accordance with manufacturers instructions and state jointing materials used. d) If an existing chimney has been refurbished with a new liner, type or make of liner fitted. e) Details of flue outlet terminal Outlet detail Complies with: f) Number and angle of bends. g) Provision for cleaning and recommended frequency.	New masonry chimney with: Dunbrik A1 concrete flue liners to BSEN1857 250mm internal square Tongue downwards into rebate and joined with Dunseal fireproof mortar Square based round pot BSEN13502:2002 2 bends ref 10B at 30 degrees Annually via fireplace opening	
7 Hearth. Form of construction. New or existing	New As diagram 25 in ADJ	
8 Inspection and testing after completion Test (Appendix E in AD J 2002) and results Flue inspection results Visual Sweeping Coring ball Smoke Spillage Appliance (where included)	Tests carried out by:	

I/We the undersigned confirm that the above details are correct. In my opinion, these works comply with the relevant requirements in Part J of Schedule 1 to the Building Regulations.

Print name & title	_____	Profession	_____
Capacity	_____	Tel no	_____
Address	_____	Postcode	_____
Signed	_____	Date	_____
Registered membership of (e.g. Gas Safety, OFTEC, HETAS, NACE, NACS)			