

Costing for: Typical Flue Detail Costing	Costing ref: SJ 250sq-9m-offset-2-23A
House type: House with 250mm I.S. Flue	Date: 18 October 2023
Customer ref. Chimney Height 9065	By: SJ
Site	Price list: October 2023
Plot number	

Components	Product code	Qty	Prices each	Disc %	Cost £
Dunbrik A1 concrete flue liner system					
Throat lintel/gather unit 1000mm wide	AF250/1000S	1	108.29		108.29
250mm flue bend 30 degrees	10B	4	28.57		114.28
250mm flue liner 230mm tall	10L	32	15.09		482.88
250mm flue liner 140mm tall	10LS	1	9.10		9.10
Square based round pot red	SBRP685R	1	133.25		133.25
Flue liner sealant 310ml	Dunseal	19	6.68		126.92
Infill aggregate 22kg mix for void	Dunfil	9	6.98		62.82
Flue notice plate	Plate	1	7.73		7.73
Topguard birdguard cowl 260 tall red	TG260R	1	101.36		101.36

Total for system components

Cost ex-works	1146.63
Delivery charge	60.00
Goods	£ 1,206.63
VAT @ 20%	241.33
Total	£ 1,447.96

Additional products (if required)

Smoke pellet tube	Smoke	1	11.34	11.34
310ml Skeleton Gun	Sealgun	1	6.40	6.40
Red polypropylene air brick 220mm x 72mm	REDG930	5	0.92	4.60
High impact styrene black cavity sleeve 218mm x 72mm	CSG935	5	5.03	25.15

Plus VAT @ 20%

All prices are ex-works, valid for 30 days and are subject to VAT.
Charge for individually plotting multiple flue orders is £30 per plot.
Free delivery for orders over £1,000 nett invoice value (ex-Vat) to UK mainland excluding the Highlands of Scotland (POA).
All trading is subject to our standard conditions of sale (copy available).

Notes

This flue costing is based on information provided. Please have your architect check the costing to your drawings prior to ordering, to ensure that it meets with your requirements. Please also check the pot/terminal style and colour.

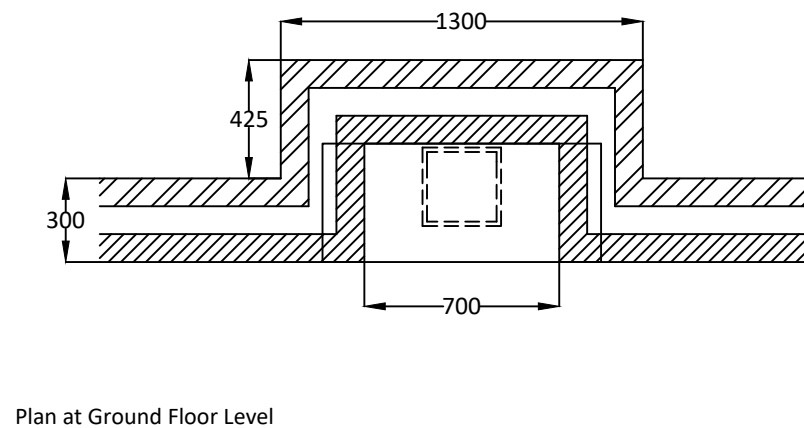
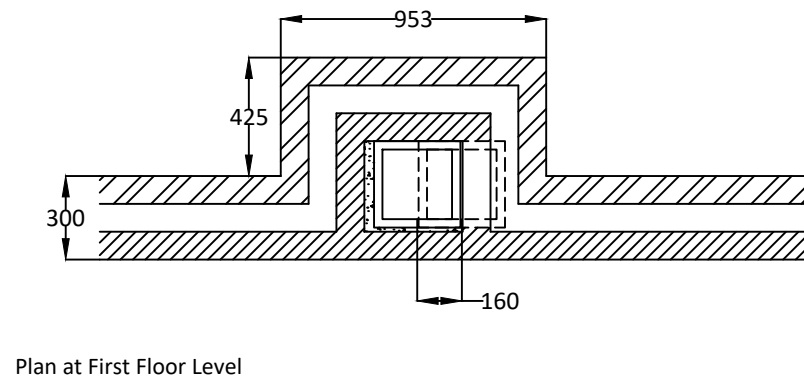
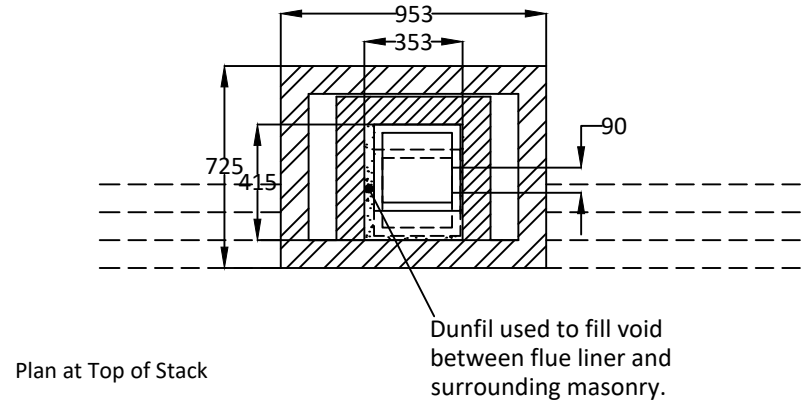
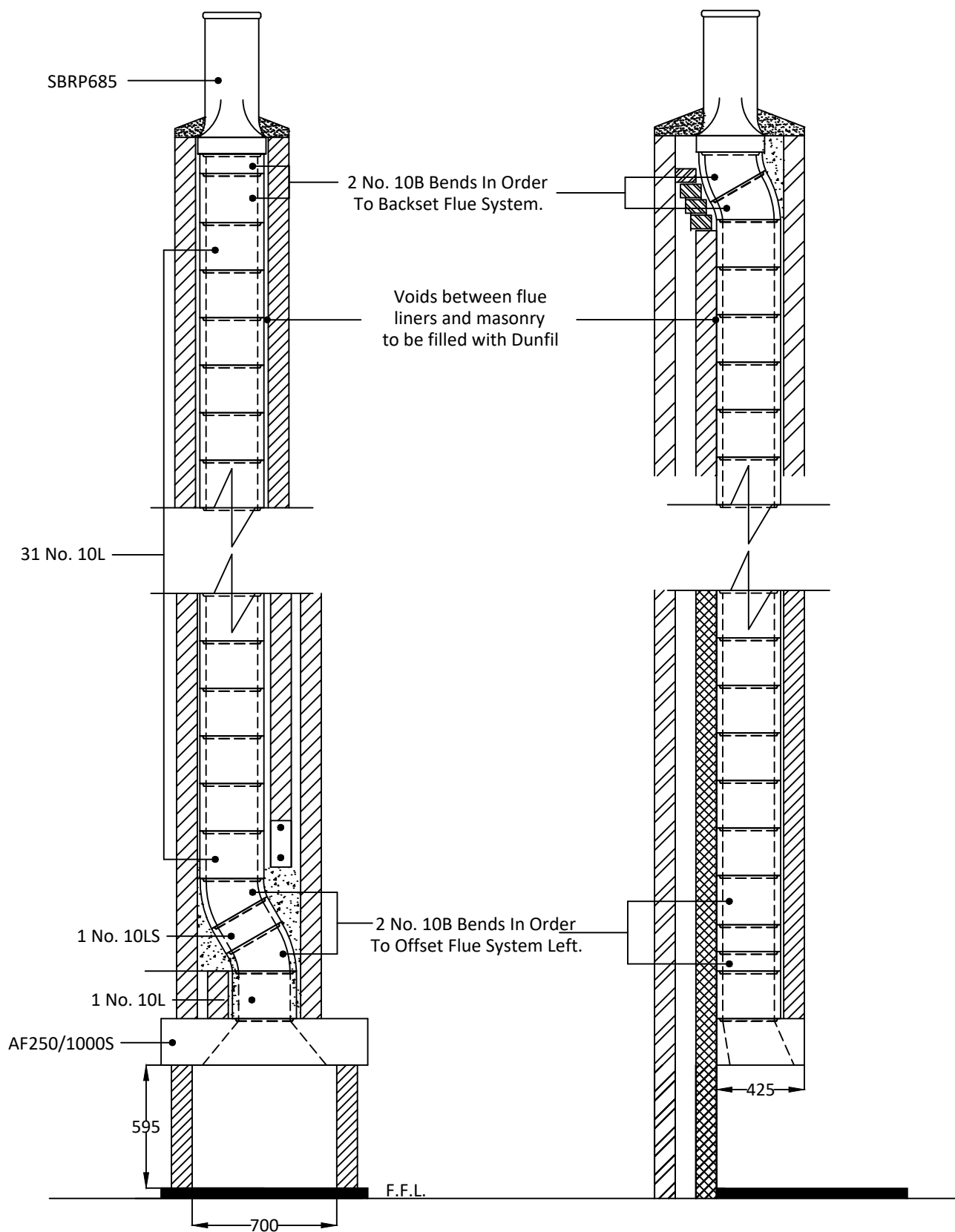
For construction guidance refer to the flue illustration and the installation guide available on our website dunbrikflues.co.uk

The infill is based on a 353mm x 325mm void between the liners and masonry

Please ensure that the flue and chimney are constructed in accordance with Building regulations part J

Notes

Chimney Height of 9065mm from FFL to underside of chimney pot.



Please have your architect check this estimate to your drawings to ensure it meets both your requirements and current building regulations, british standards and codes of practice.

ALL DIMENSIONS ARE SHOWN IN MILLIMETRES NOT TO SCALE

