

8i bVf] 5%7cbWYH: i Y@bYfg HY.'S% &(' + ' * - (

IRU GRPHVWLF FKLPHQHV
: i Y7cghb[
PP VT

(PDLO WHFK#GXQEULN FR
:HE ZZZ GXQEULN FR XN

&RVWLQJ HIRU: i Y8YH] 7cghb[
+RXVH WISH +RXVH ZLWK PP , 6)OXH
&XVWRPHU UHI &KLPQH\ +HLJKW
6LWH
3ORW QXPEHU

&RVWLQJ W!Sge!+a !cZgYH& 6
)HE'DXDU\
%\ 6 -
3UL2FWQEHW

7ca dcbYbfg

DfcXi M
WXY

Elm

DfjWg
YUW

7cgh
æ

7KURDW OLQWHO JDWKHU XQLW PP ZLGH \$) 6
PP IOXH EHQG GHJUHHV %
PP IOXH OLQHU PP WDOO /
PP IOXH OLQHU PP WDOO /6
)OXH OLQHU VHDODQW PO 'XQVHDO
,QILOO DJJUHJDWH NJ PL[IRU YRLG 'XQILO

6TXDUH EDVHG URXQG SRW UHG 6%53 5
7RSJXDUG ELUGJXDUG FRZO WDOO UHG 7* 5
)OXH QRWLFH SODWH 3ODWH
PO 6NHOHWRQ *XQ 6HDOJXQ
5HG SRO\SURS\OHQH DLU EULFN PP [PP 5(*
+LJK LPSDFW VW\UHQH EODFN FDYLV\ VOHHYH 8B*[PP
6PRNH SHOOHW WXEH 6PRNH

&RVW H[ZRUNV %SS(' - '
'HOLYHU\ FKDUJH*S'SS
RRGV æ %S(' - '
9\$7 # 8/8- -
æ %S+ ' &

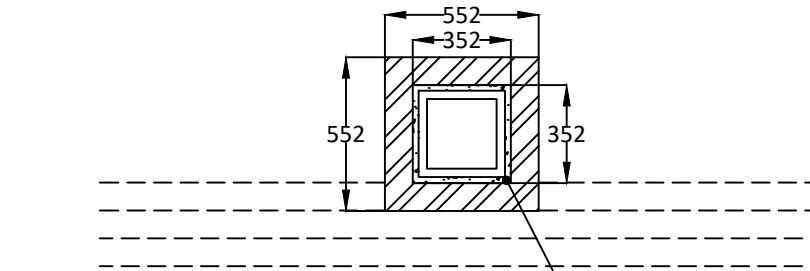
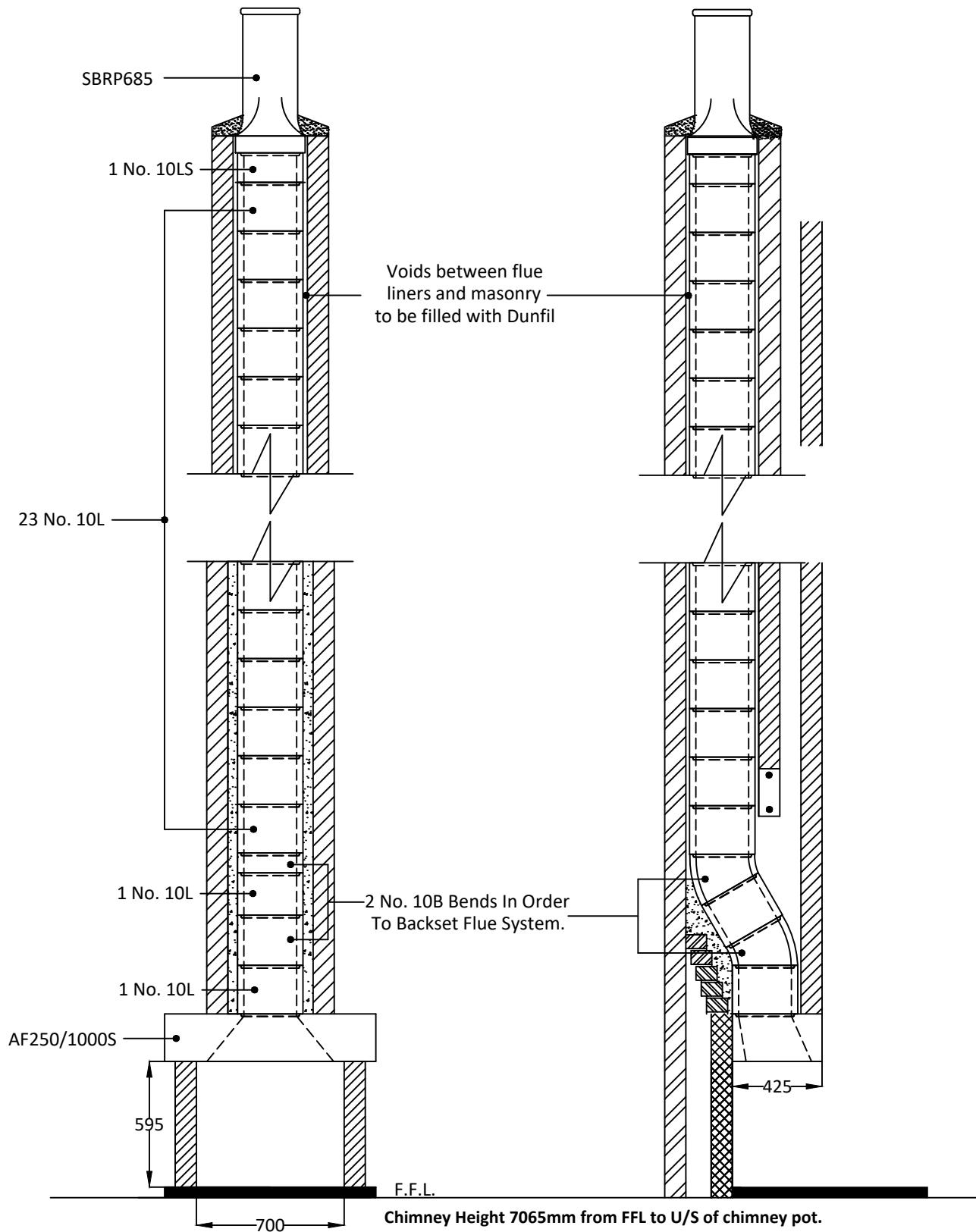
\$OO SULFHV DUH H[ZRUNV YDOLG IRU GDIV DQG DUH VXEMHFW WR 9\$7 æ %S+ ' &
&KDUJH IRU LQGLYLGXDOO\ SORWWLQJ PXOWLSOH IOXH RUGHUV LV ... SHU SORW
)UHH GHOLYHU\ IRU RUGHUV RYHU ... QHWW LQYRLFH YDOXH H[9DW WR 8. PDLQODQ
\$OO WUDGLQJ LV VXEMHFW WR RXU VWDQGDUG FRQGLWLRQV RI VDOH FRS\ DYDLODEOH

BclHg

7KLV IOXH FRVWLQJ LV EDVHG RQ LQIRUPDWLRQ SURYLGHG 3OHDVH KDYH \
WR HQVXUH WKDW LW PHHWV ZLWK IRU UHTXLUHPHQWV 3OHDVH DOVR FKHFN WKH SRV
)RU FRQVWUXFWLRQ JXLGDQFH UHIHU WR WKH IOXH LOOXVWUDWLRQ DQG WKH LQVWDOOD
HY]bZ``lgVUgYXcbU') &a a l ") &a j c]XVYk Yb h Y`bYfg`UbXa Ugcbfm
3OHDVH HQVXUH WKDW WKH IOXH DQG FKLPHQHV DUH FRQVWL
'XQEULN <RUNV /WG)HUU\ /DQH 6WDQOH\ :DNHILHOG :) /7 5HJLVWHUHG LQ (Q

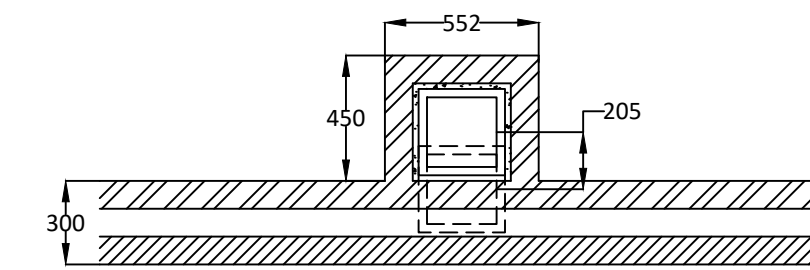
Notes

Chimney Height of 7065mm from FFL to underside of chimney pot.

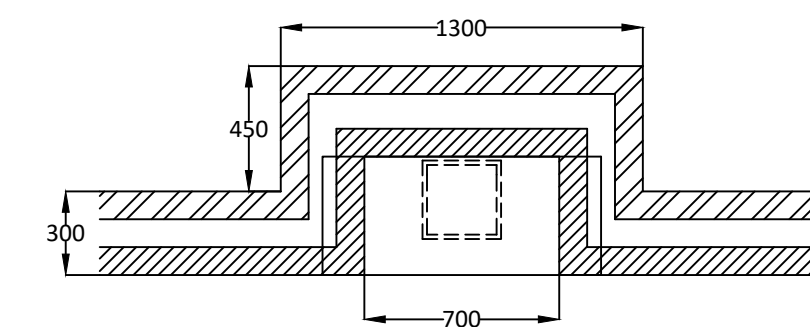


Plan at Top of Stack

Dunfil used to fill void between flue liner and surrounding masonry.



Plan at First Floor Level



Plan at Ground Floor Level

Dunbrik A1 Concrete Flue Liner System to BS EN 1857

Please have your architect check this typical flue illustration to your drawings to ensure it meets both your requirements and current building regulations.

ALL DIMENSIONS ARE SHOWN IN MILLIMETRES NOT TO SCALE

