

Costing for: **Typical Flue Detail Costing**  
House type House with 250mm I.S. Flue  
Customer ref. Chimney Height 7065  
Site  
Plot number

Costing ref **SJ 250sq-7m-offset-23A**  
Date 16 October 2023  
By SJ  
Price list October 2023

**Components**

**Dunbrik A1 concrete flue liner system**

	<b>Product code</b>	<b>Qty</b>	<b>Prices each</b>	<b>Disc %</b>	<b>Cost £</b>
Throat lintel/gather unit 1000mm wide	AF250/1000S	1	108.29		108.29
250mm flue bend 30 degrees	10B	2	28.57		57.14
250mm flue liner 230mm tall	10L	25	15.09		377.25
250mm flue liner 140mm tall	10LS	1	9.10		9.10
Square based round pot red	SBRP685R	1	133.25		133.25
Flue liner sealant 310ml	Dunseal	14	6.68		93.52
Infill aggregate 22kg mix for void	Dunfil	10	6.98		69.80
Flue notice plate	Plate	1	7.73		7.73
Topguard birdguard cowl 260 tall red	TG260R	1	101.36		101.36

**Total for system components**

Cost ex-works	<b>957.44</b>
Delivery charge	<b>60.00</b>
Goods	<b>£ 1,017.44</b>
VAT @ 20%	<b>203.49</b>
<b>Total</b>	<b>£ 1,220.93</b>

**Additional products (if required)**

Smoke pellet tube	Smoke	1	11.34		11.34
310ml Skeleton Gun	Sealgun	1	6.40		6.40
Red polypropylene air brick 220mm x 72mm	REDG930	5	0.92		4.60
High impact styrene black cavity sleeve 218mm x 72mm	CSG935	5	5.03		25.15

Plus VAT @ 20%

All prices are ex-works, valid for 30 days and are subject to VAT.  
Charge for individually plotting multiple flue orders is £30 per plot.  
Free delivery for orders over £1,000 nett invoice value (ex-Vat) to UK mainland excluding the Highlands of Scotland (POA).  
All trading is subject to our standard conditions of sale (copy available).

**Notes**

This flue costing is based on information provided. Please have your architect check the costing to your drawings prior to ordering, to ensure that it meets with your requirements. Please also check the pot/terminal style and colour.

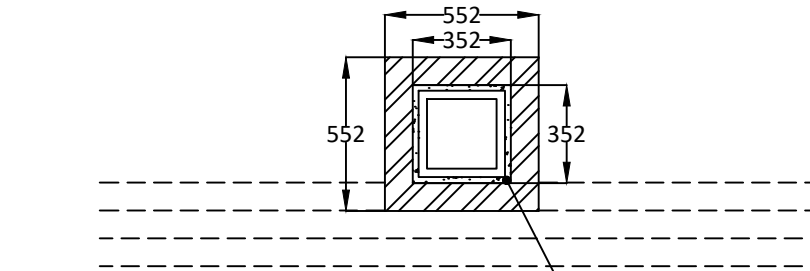
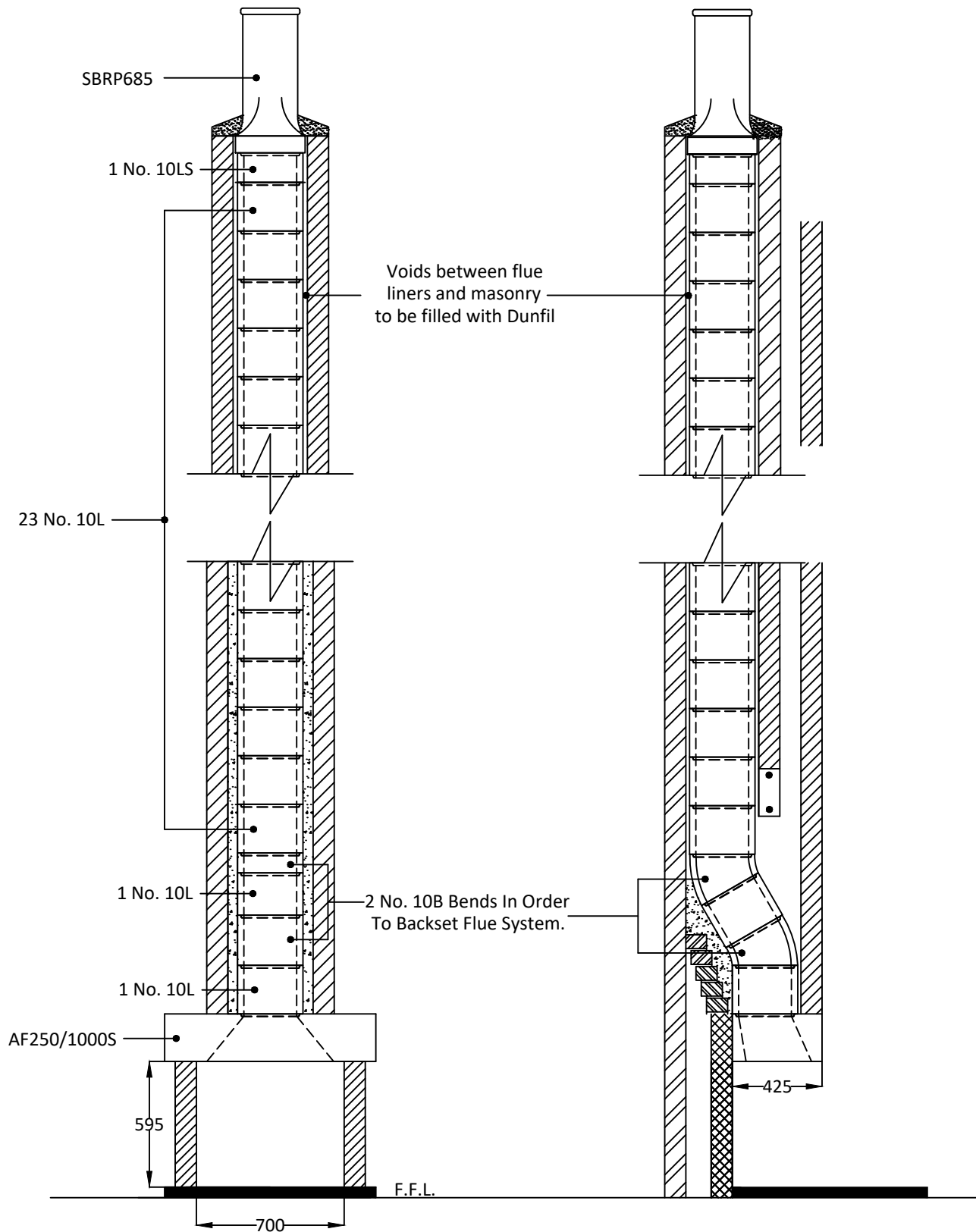
For construction guidance refer to the flue illustration and the installation guide available on our website [dunbrikflues.co.uk](http://dunbrikflues.co.uk)

**The infill is based on a 352mm x 352mm void between the liners and masonry**

Please ensure that the flue and chimney are constructed in accordance with Building regulations part J

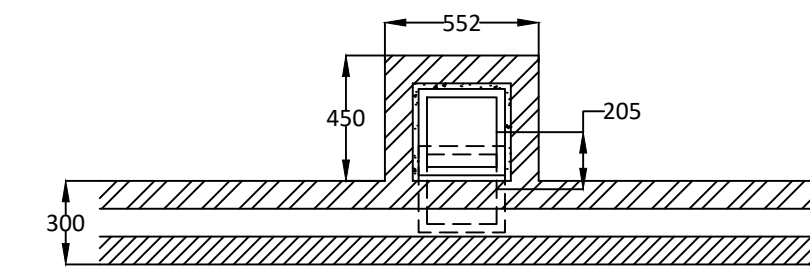
**Notes**

Chimney Height of 7065mm from FFL to underside of chimney pot.

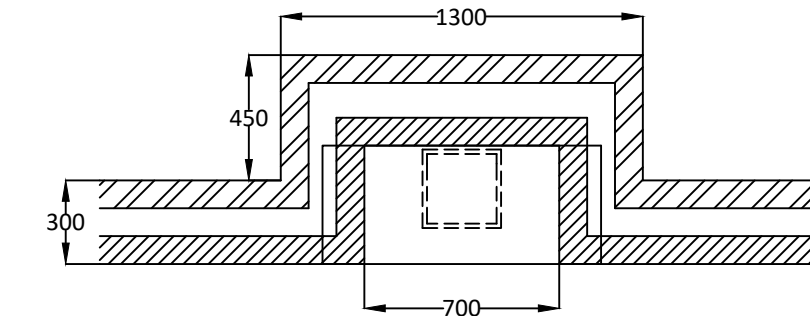


Plan at Top of Stack

Dunfil used to fill void between flue liner and surrounding masonry.



Plan at First Floor Level



Plan at Ground Floor Level

Dunbrik A1 Concrete Flue Liner System to BS EN 1857

Please have your architect check this estimate to your drawings to ensure it meets both your requirements and current building regulations, british standards and codes of practice.

**ALL DIMENSIONS ARE SHOWN IN MILLIMETRES NOT TO SCALE**

The checklist is based on Building Regulations ADJ Appendix A, with Dunbrik flue liner system data. The builder/installer should insert details of the actual fireplace opening sizes, actual ventilation installed and any variations to the usual data.

For	<b>Typical Flue Detail Costing</b>	Costing ref	<b>SJ 250sq-7m-offset-23A</b>
Site at		Plot number	
System	<b>Dunbrik 250mm sq. A1 concrete flue liners</b>	House type	<b>House with 250mm I.S. Flue</b>
Date	<b>16 Oct 2023</b>	Customer ref.	<b>Chimney Height 7065</b>
	<b>250 mm sq</b>		

### Checklist for hearths, fireplaces, flues and chimneys

This checklist can help you to ensure hearths, fireplaces, flues and chimneys are satisfactory. If you have been directly engaged, copies should also be offered to the client and to the Building Control body to show what you have done to comply with the requirements of part J. If you are a sub-contractor, a copy should be offered to the main contractor.

Items listed in ADJ Appendix A	Details for builder to complete or amend	
1 Building address, where work has been carried out		
		Amend
2 Identification of hearth, fireplace, chimney or flue.	<b>Fireplace in lounge</b>	
3 Firing capability: solid fuel/gas/oil/all	<b>All</b>	
4 Intended type of appliance. State type or make. If open fire give finished fireplace opening dimensions.	<b>For gas fire or solid fuel fire</b> <b>416,700 sq.mm maximum</b>	
5 Ventilation provisions for the appliance State type and area of permanently open air vents	<b>Through wall ventilation</b> <b>31,200 sq mm minimum</b>	
6 Chimney or flue construction	<b>New masonry chimney with:</b> <b>Dunbrik A1 concrete flue liners to BSEN1857</b> <b>250mm internal square</b>	
a) State the type or make and whether new or existing.		
b) Internal flue size (and equivalent flue height, where calculated natural draught gas appliances only).		
c) If liners are used confirm they are correctly jointed in accordance with manufacturers instructions and state jointing materials used.	<b>Tongue downwards into rebate</b> <b>and joined with Dunseal fireproof mortar</b>	
d) If an existing chimney has been refurbished with a new liner, type or make of liner fitted.		
e) Details of flue outlet terminal Outlet detail Complies with:	<b>Square based round pot</b> <b>BSEN13502:2002</b>	
f) Number and angle of bends.	<b>2 bends ref 10B at 30 degrees</b>	
g) Provision for cleaning and recommended frequency.	<b>Annually via fireplace opening</b>	
7 Hearth. Form of construction. New or existing	<b>New</b> <b>As diagram 25 in ADJ</b>	
8 Inspection and testing after completion Test (Appendix E in AD J 2002) and results	Tests carried out by:	
Flue inspection results Visual Sweeping Coring ball Smoke Appliance (where included) Spillage		
<b>I/We the undersigned confirm that the above details are correct. In my opinion, these works comply with the relevant requirements in Part J of Schedule 1 to the Building Regulations.</b>		
Print name & title	_____ Profession	_____
Capacity	_____ Tel no	_____
Address	_____ Postcode	_____
Signed	_____ Date	_____
Registered membership of (e.g. Gas Safety, OFTEC, HETAS, NACE, NACS)		