

Costing for: Typical Flue Detail Costing	Costing ref	250sq-10m-offset-2-23B
House type House With 250mm I.S. Flue	Date	06 February 2024
Customer ref. Chimney Height 9995mm from FFL to U/S of chimney pot	By	SJ
Site	Price list	October 2023
Plot number		

Components	Product code	Qty	Prices each	Cost £
Throat lintel/gather unit 1000mm wide	AF250/1000S	1	108.29	108.29
250mm flue bend 30 degrees	10B	4	28.57	114.28
250mm flue liner 230mm tall	10L	35	15.09	528.15
250mm flue liner 140mm tall	10LS	3	9.10	27.30
Flue liner sealant 310ml	Dunseal	21	6.68	140.28
Infill aggregate 22kg mix for void	Dunfil	9	6.98	62.82
Square based round pot red	SBRP685R	1	133.25	133.25
Topguard birdguard cowl 260 tall red	TG260R	1	101.36	101.36
Smoke pellet tube	Smoke	1	11.34	11.34
Flue notice plate	Plate	1	7.73	7.73
310ml Skeleton Gun	Sealgun	1	6.40	6.40
Red polypropylene air brick 220mm x 72mm	REDG930	5	0.92	4.60
High impact styrene black cavity sleeve 218mm x 72mm	CSG935	5	5.03	25.15

Cost ex-works *	1270.95
Delivery charge	60.00
Goods	£ 1,330.95
VAT @ 20%	266.19
Total	£ 1,597.14

All prices are ex-works, valid for 30 days and are subject to VAT.
Charge for individually plotting multiple flue orders is £30 per plot.
Free delivery for orders over £1,000 nett invoice value (ex-Vat) to UK mainland excluding the Highlands of Scotland (POA).
All trading is subject to our standard conditions of sale (copy available).

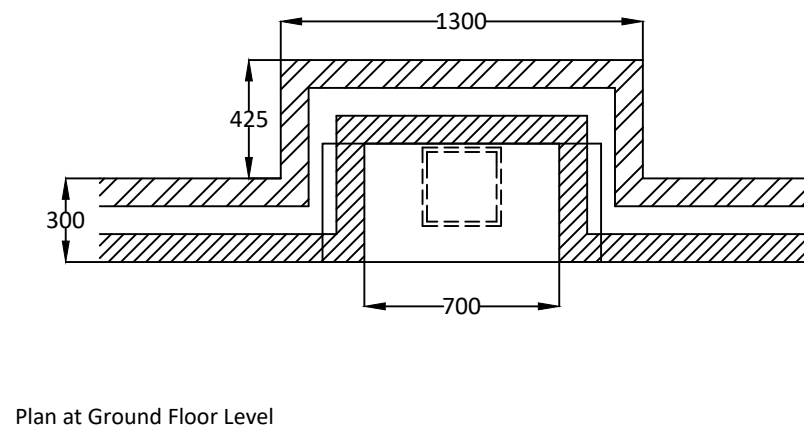
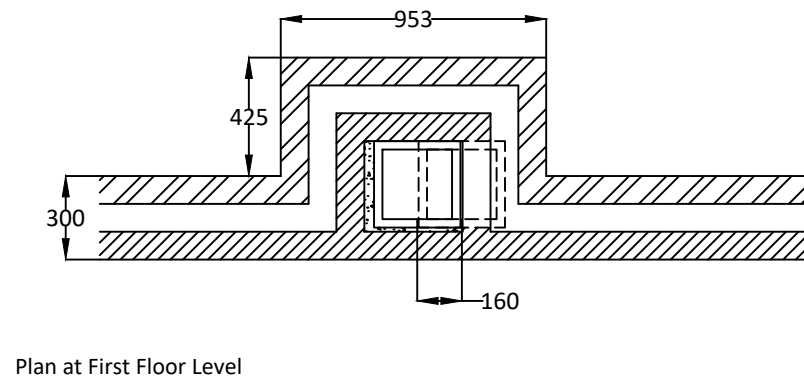
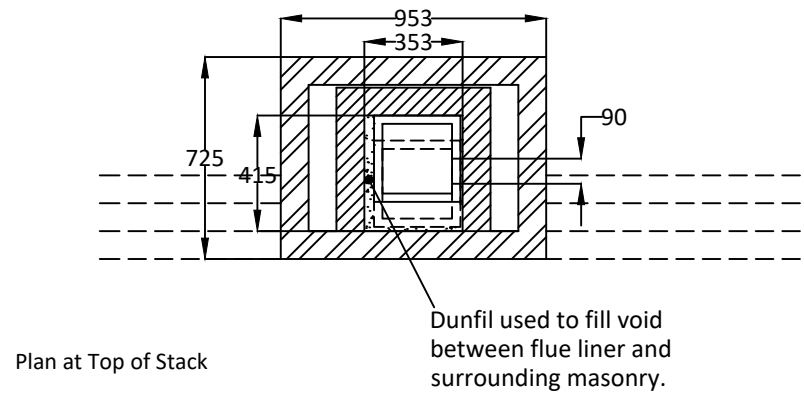
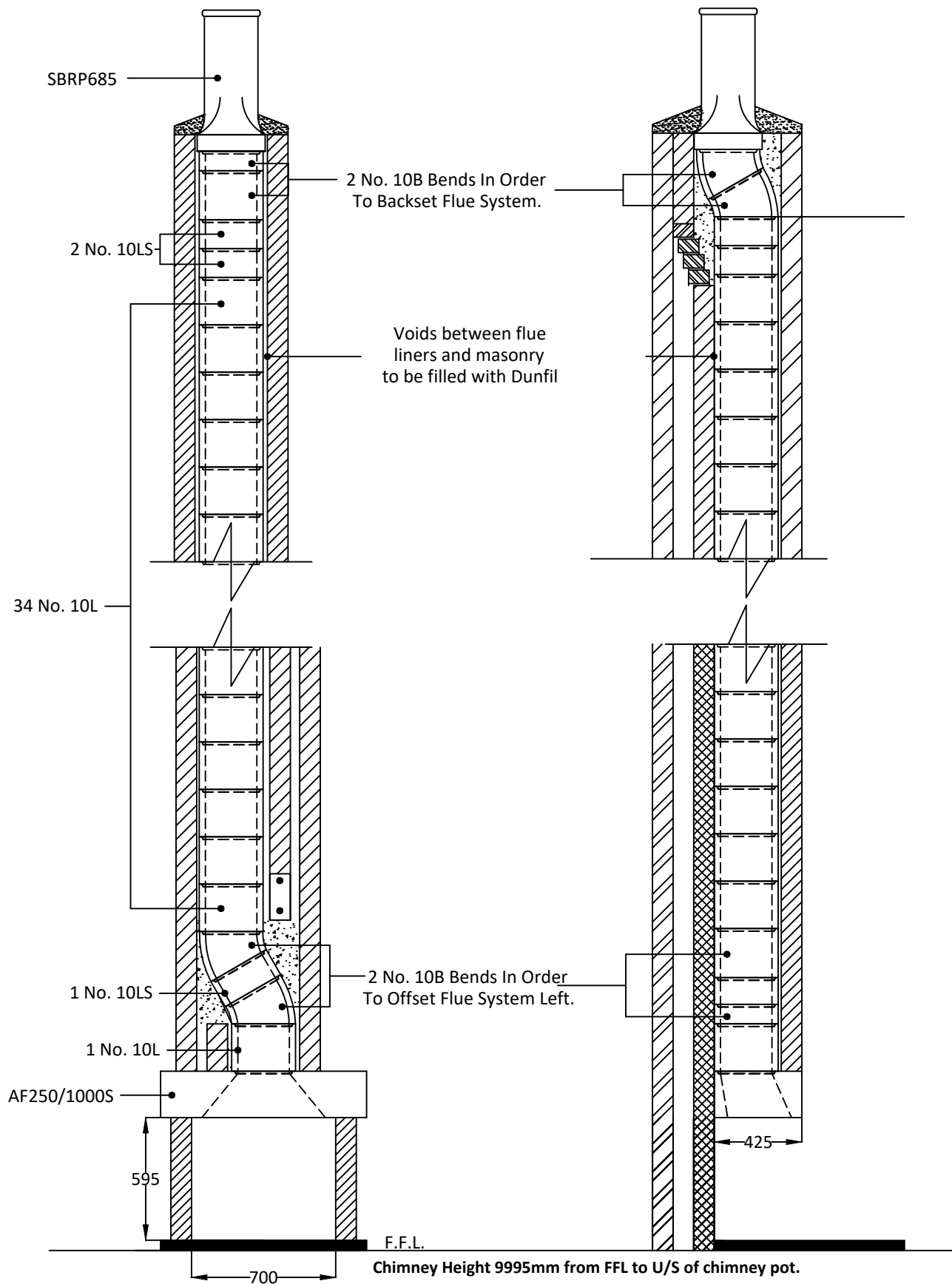
Notes

This flue costing is based on information provided. Please have your architect check the costing to your drawings prior to ordering to ensure that it meets with your requirements. Please also check the pot/terminal style and colour.

For construction guidance refer to the flue illustration and the installation guide available on our website www.dunbrikflues.co.uk

The infill is based on a 353mm x 325mm void between the liners and masonry

Please ensure that the flue and chimney are constructed in accordance with Building regulations part J



Notes

Chimney Height from FFL to underside of chimney pot.

Please have your architect check this typical flue illustration to your drawings to ensure it meets both your requirements and current building regulations.

ALL DIMENSIONS ARE SHOWN IN MILLIMETRES NOT TO SCALE

