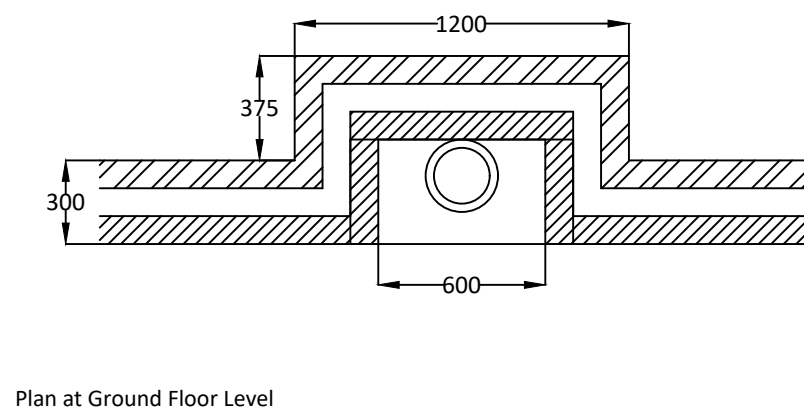
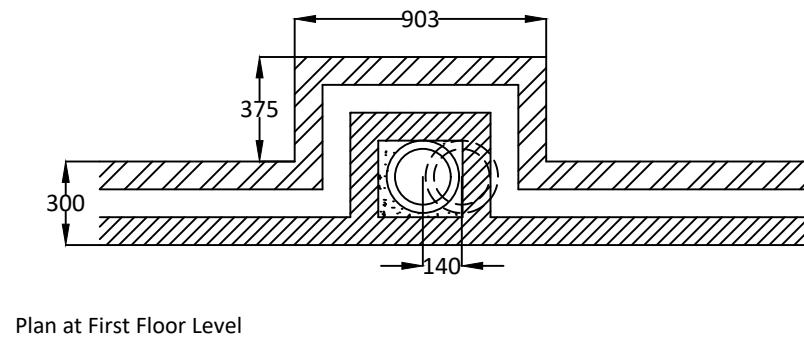
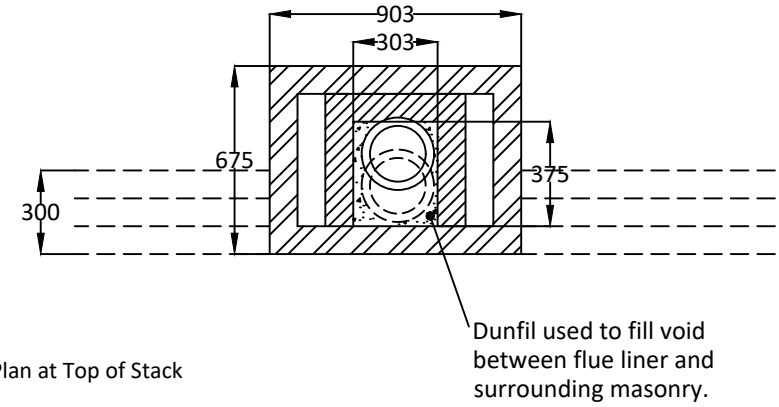
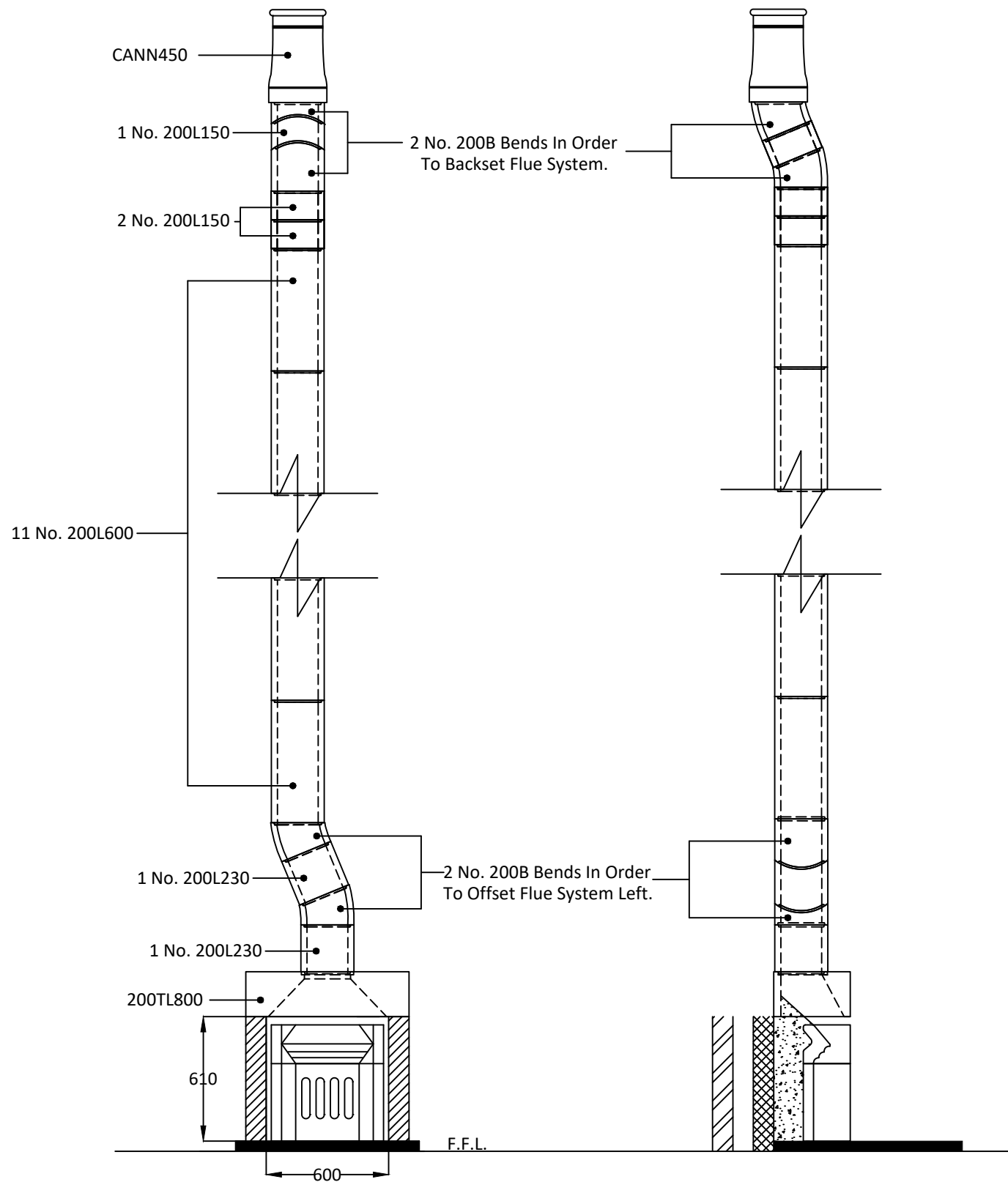


Notes

Chimney Height of 8967mm from FFL to underside of chimney pot.



Please have your architect check this estimate to your drawings to ensure it meets both your requirements and current building regulations, british standards and codes of practice.

ALL DIMENSIONS ARE SHOWN IN MILLIMETRES NOT TO SCALE

Costing for: **SAMPLE COSTING**

House type 200mm I.D. Flue for open fire with offset.

Customer ref. Chimney height 8967mm from ffl to u/s pot, Offset 140mm & 115mm.

Site

Plot number

Costing ref **200id-9m-offset-2**

Date 02 December 2021

By

Price list October 2021

Components	Product code	Qty	Prices each	Cost £
Throat lintel/gather unit 800mm wide	200TL800	1	94.75	94.75
200mm flue liner bend 22.5 degrees	200B	4	18.29	73.16
200mm flue liner 600mm tall	200L600	11	18.74	206.14
200mm flue liner 230mm tall	200L230	2	11.21	22.42
200mm flue liner 150mm tall	200L150	3	8.85	26.55
Flue liner sealant 310ml	Dunseal	7	6.68	46.76
Infill aggregate 22kg mix for void	Dunfil	35	13.92	487.20
Milner clay fireback 450mm	450FB	1	104.44	104.44
Cannon pot 450mm tall red	Cann450R	1	50.90	50.90
Topguard birdguard cowl 260 tall red	TG260R	1	101.36	101.36
Smoke pellet tube	Smoke	1	11.34	11.34
Flue notice plate	Plate	1	7.73	7.73
310ml Skeleton Gun	Sealgun	1	6.40	6.40
Red polypropylene air brick 220mm x 72mm	REDG930	3	0.92	2.76
High impact styrene black cavity sleeve 218mm x 72mm	CSG935	3	5.03	15.09

Cost ex-works *	1257.00
Delivery charge	95.00
Goods	£ 1,352.00
VAT @ 20%	270.40
Total	£ 1,622.40

For UK mainland up to 300 miles, orders over £1,700 goods value are delivered free

Charge for individually plotting multiple flue orders is £30 per flue.

* For collection orders add collection charge of £15 plus VAT

Prices shown are based on the Dunbrik ex-works trade price list of October 2021 and are valid for 30 days.

Prices are subject to VAT. All trading is subject to our standard conditions of sale (copy available).

Notes

This flue costing is based on information provided. Please have your architect check the costing to your drawings prior to ordering. to ensure that it meets with your requirements. Please also check the pot/terminal style and colour.

For construction guidance refer to the flue illustration and the installation guide available by post, fax or website.

Please ensure that the flue and chimney are constructed in accordance with Building regulations part J

dunbrik flues		Chimney Checklist	Dunbrik (Yorks) Ltd Tel 01924 373694
domestic flue & chimney systems			
The checklist is based on Building Regulations ADJ Appendix A, with Dunbrik flue liner system data. The builder/installer should insert details of the actual fireplace opening sizes, actual ventilation installed and any variations to the usual data.			
For	SAMPLE COSTING	Costing ref	200id-9m-offset-2
Site at		Plot number	
System	Dunbrik 200mm id A1 concrete flue liners	House type	200mm I.D. Flue for open fire with offset.
Date	02 Dec 2021	Customer ref.	Chimney height 8967mm from ffl to u/s pot, Offset 140mm & 115mm.
Checklist for hearths, fireplaces, flues and chimneys			
This checklist can help you to ensure hearths, fireplaces, flues and chimneys are satisfactory. If you have been directly engaged, copies should also be offered to the client and to the Building Control body to show what you have done to comply with the requirements of part J. If you are a sub-contractor, a copy should be offered to the main contractor.			
Items listed in ADJ Appendix A		Details for builder to complete or amend	
1 Building address, where work has been carried out			
			Amend
2 Identification of hearth, fireplace, chimney or flue.	Fireplace in lounge		
3 Firing capability: solid fuel/gas/oil/all	All		
4 Intended type of appliance. State type or make. If open fire give finished fireplace opening dimensions.	For gas fire or solid fuel fire 500mm by 550mm maximum or equivalent area		
5 Ventilation provisions for the appliance State type and area of permanently open air vents	Through wall ventilation 15,700 sq mm minimum		
6 Chimney or flue construction	New masonry chimney with: Dunbrik A1 concrete flue liners to BSEN1857 200mm internal diameter		
a) State the type or make and whether new or existing.			
b) Internal flue size (and equivalent flue height, where calculated natural draught gas appliances only).			
c) If liners are used confirm they are correctly jointed in accordance with manufacturers instructions and state jointing materials used.	Tongue downwards into rebate and joined with Dunseal fireproof mortar		
d) If an existing chimney has been refurbished with a new liner, type or make of liner fitted.			
e) Details of flue outlet terminal	Outlet detail	Cannon pot 450mm tall	
	Complies with:	BSEN13502:2002	
f) Number and angle of bends.	4 bends ref 200B at 22.5 degrees		
g) Provision for cleaning and recommended frequency.	Annually via fireplace opening		
7 Hearth. Form of construction. New or existing	New As diagram 25 in ADJ		
8 Inspection and testing after completion	Tests carried out by:		
Test (Appendix E in AD J 2002) and results			
Flue inspection results	Visual		
	Sweeping		
	Coring ball		
	Smoke		
Appliance (where included)	Spillage		
I/We the undersigned confirm that the above details are correct. In my opinion, these works comply with the relevant requirements in Part J of Schedule 1 to the Building Regulations.			
Print name & title	_____	Profession	_____
Capacity	_____	Tel no	_____
Address	_____	Postcode	_____
Signed	_____	Date	_____
Registered membership of (e.g. Gas Safety, OFTEC, HETAS, NACE, NACS)			