

Costing for: **Typical Flue Detail Costing**
House type: House With 200mm I.D. Flue
Customer ref. Chimney Height 7030mm
Site
Plot number

Costing ref: **200id-7m-straight-23D**
Date: 02 December 2025
By: SJ
Price list: March 2025

Components	Product code	Qty	Prices each	Cost £
Throat lintel/gather unit 800mm wide	200TL800	1	104.23	104.23
200mm flue liner 600mm tall	200L600	10	20.61	206.10
200mm flue liner 150mm tall	200L150	1	9.74	9.74
Flue liner sealant 310ml	Dunseal	4	7.35	29.40
Micafil Vermiculite 100 Litre	MV100L	2	38.39	76.78
Cannon pot 450mm tall red	Cann450R	1	55.99	55.99
Topguard birdguard cowl 260 tall red	TG260R	1	111.50	111.50
Flue notice plate	Plate	1	8.50	8.50
Milner clay fireback 450mm	450FB	1	114.88	114.88
310ml Skeleton Gun	Sealgun	1	7.04	7.04
Red polypropylene air brick 220mm x 72mm	REDG930	3	1.02	3.06
High impact styrene black cavity sleeve 218mm x 72mm	CSG935	3	5.53	16.59
Smoke pellet tube	Smoke	1	12.47	12.47

Cost ex-works *	756.28
Delivery charge	75.00
Goods	£ 831.28
VAT @ 20%	166.26
Total	£ 997.54

All prices are ex-works, valid for 30 days and are subject to VAT.

Charge for individually plotting multiple flue orders is £40 per plot.

Free delivery for orders over £1,000 nett invoice value (ex-Vat) to UK mainland excluding the Highlands of Scotland (POA).

All trading is subject to our standard conditions of sale (copy available).

Notes

This flue costing is based on information provided. Please have your architect check the costing to your drawings prior to ordering to ensure that it meets with your requirements. Please also check the pot/terminal style and colour.

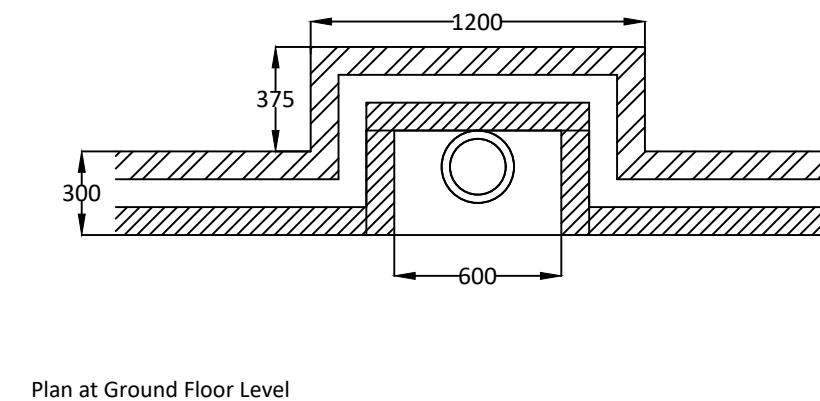
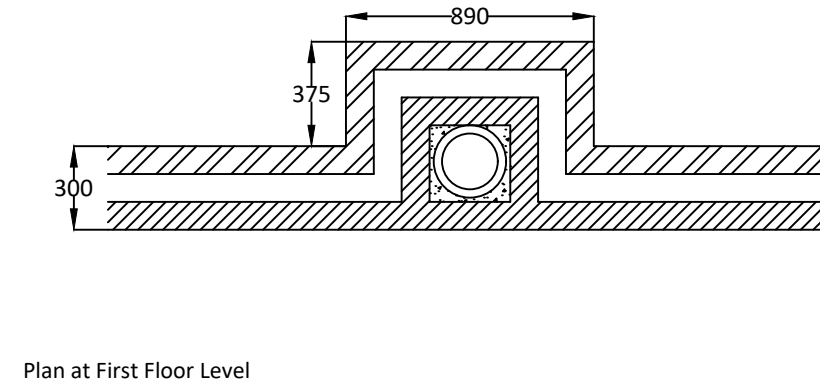
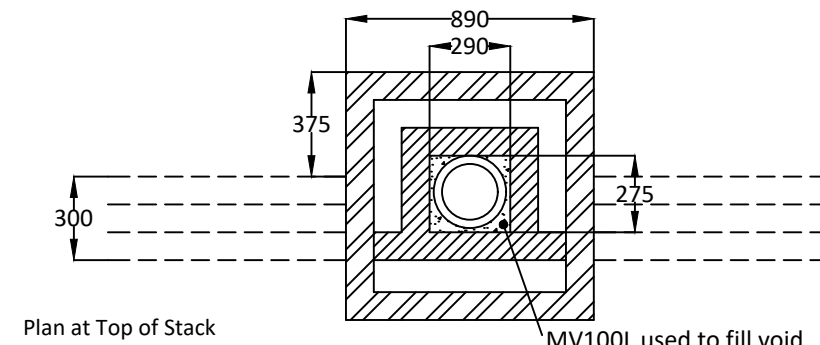
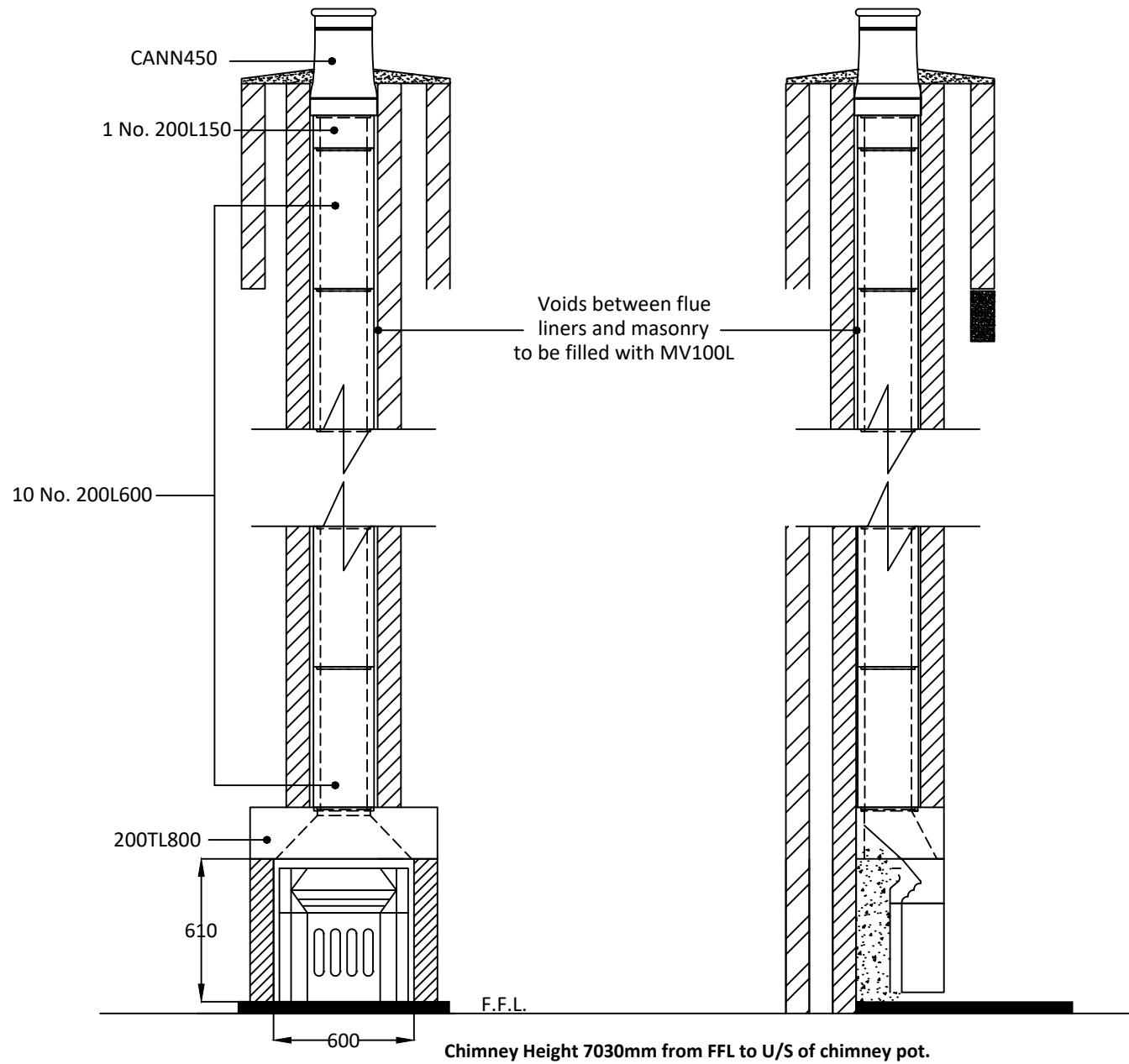
For construction guidance refer to the flue illustration and the installation guide available on our website www.dunbrikflues.co.uk

The infill is based on a 290mm x 275mm void between the liners and masonry

Please ensure that the flue and chimney are constructed in accordance with Building regulations part J

Notes

Chimney Height of 7030mm from FFL to underside of chimney pot.

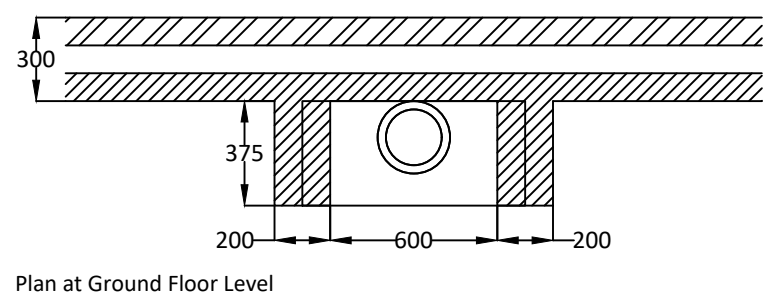
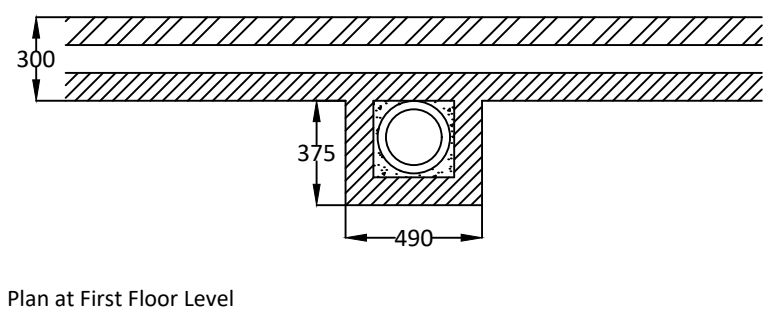
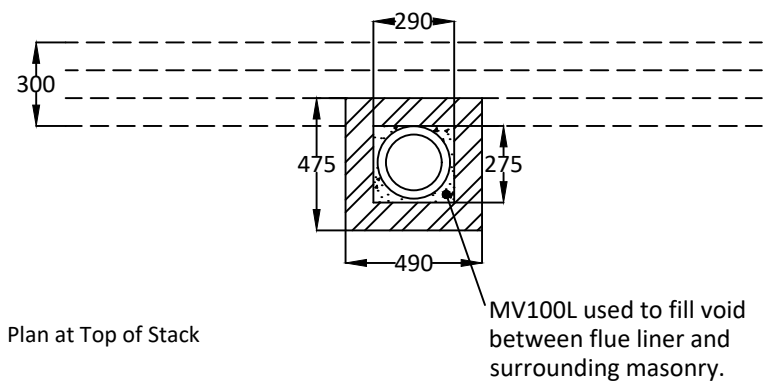
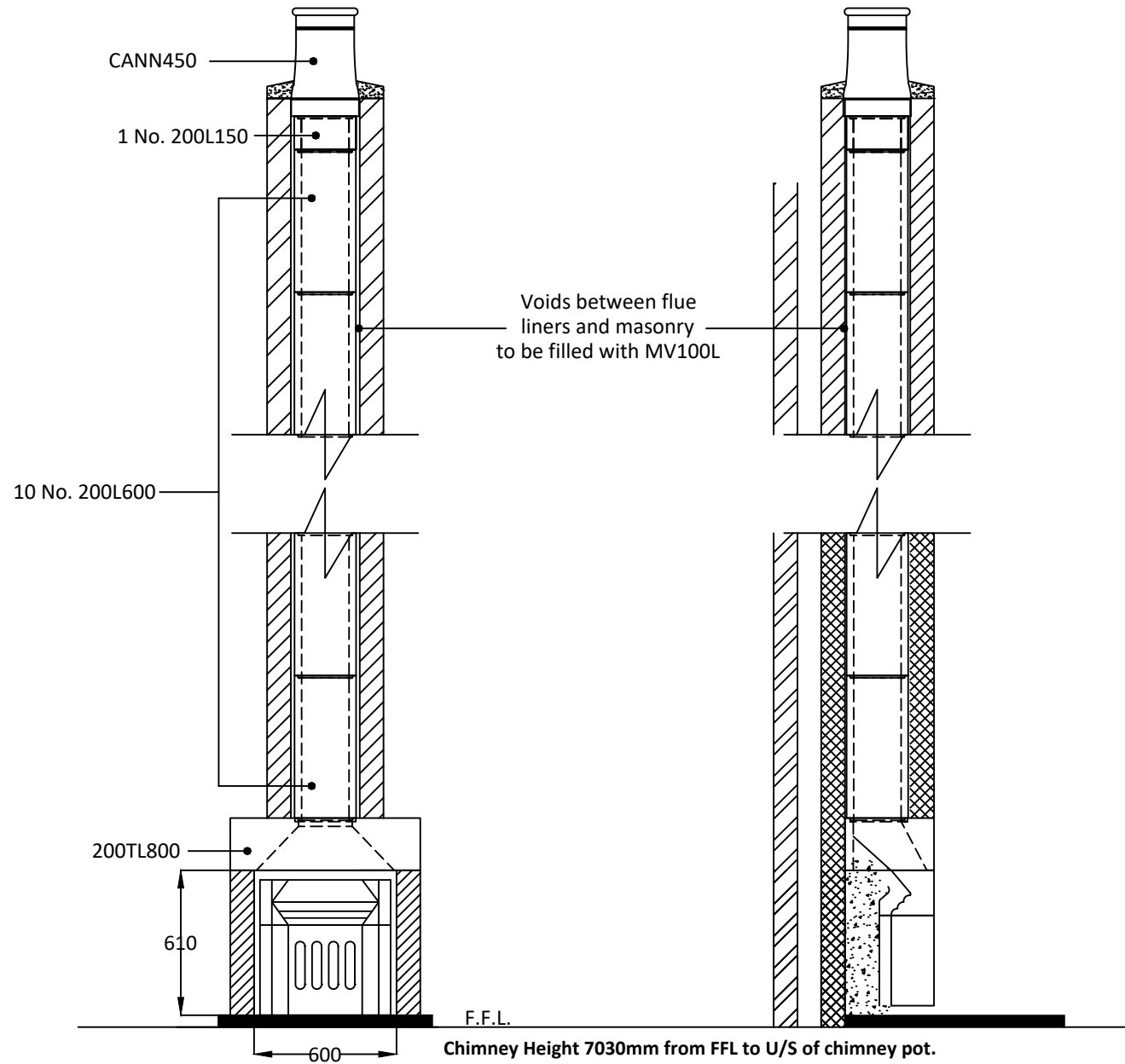


Please have your architect check this typical flue illustration to your drawings to ensure it meets both your requirements and current building regulations.

ALL DIMENSIONS ARE SHOWN IN MILLIMETRES NOT TO SCALE

Notes

Chimney Height of 7030mm from FFL to underside of chimney pot.



Please have your architect check this typical flue illustration to your drawings to ensure it meets both your requirements and current building regulations.

ALL DIMENSIONS ARE SHOWN IN MILLIMETRES NOT TO SCALE

