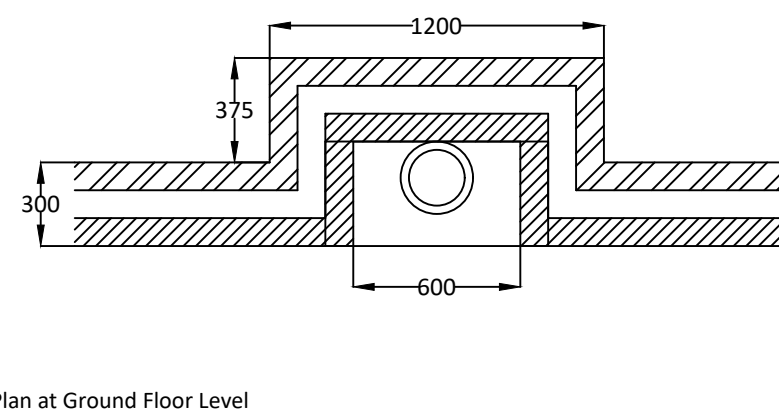
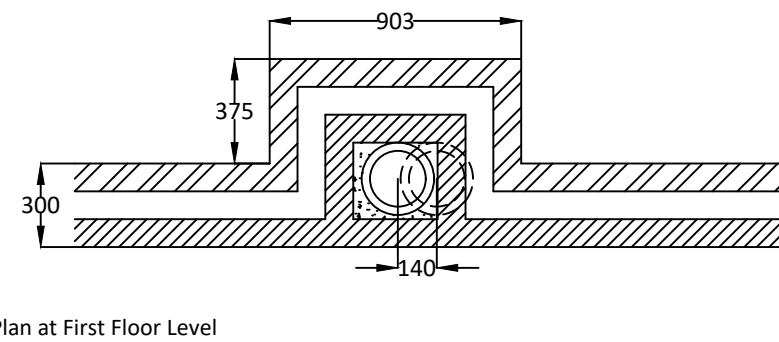
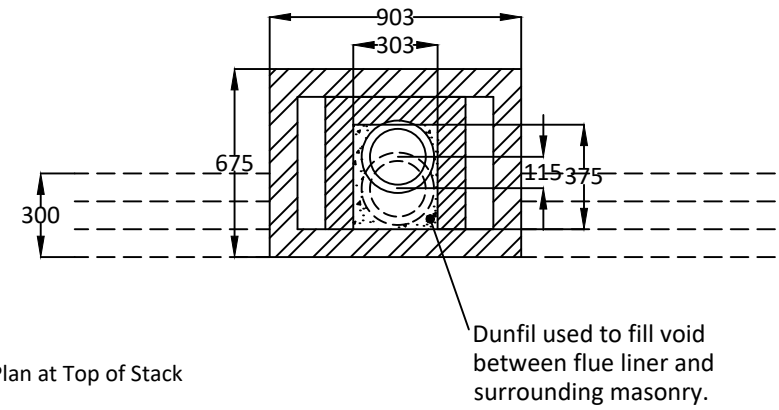
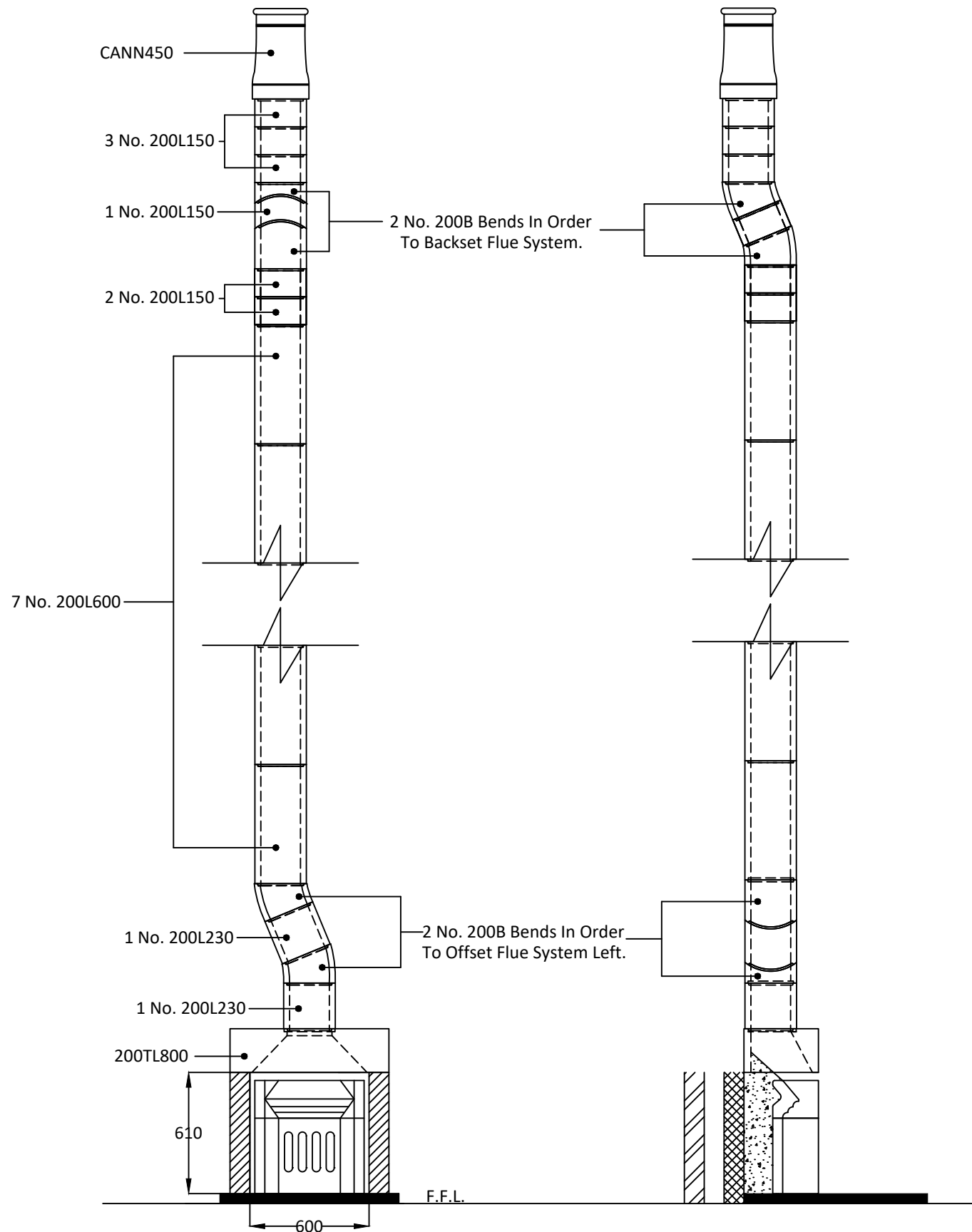


### Notes

Chimney Height of 7037mm from FFL to underside of chimney pot.



Please have your architect check this estimate to your drawings to ensure it meets both your requirements and current building regulations, british standards and codes of practice.

**ALL DIMENSIONS ARE SHOWN IN MILLIMETRES NOT TO SCALE**

Costing for: **SAMPLE COSTING**  
House type 200mm I.D. Flue for open fire with offset.  
Customer ref. Chimney height 7037mm from ffl to u/s pot, Offset 140mm & 115mm.  
Site  
Plot number

Costing ref **200id-7m-offset-2**  
Date 29 November 2021  
By  
Price list October 2021

Components	Product code	Qty	Prices each	Cost £
Throat lintel/gather unit 800mm wide	200TL800	1	94.75	94.75
200mm flue liner bend 22.5 degrees	200B	4	18.29	73.16
200mm flue liner 600mm tall	200L600	7	18.74	131.18
200mm flue liner 230mm tall	200L230	2	11.21	22.42
200mm flue liner 150mm tall	200L150	6	8.85	53.10
Flue liner sealant 310ml	Dunseal	7	6.68	46.76
Infill aggregate 22kg mix for void	Dunfil	29	13.92	403.68
Milner clay fireback 450mm	450FB	1	104.44	104.44
Cannon pot 450mm tall red	Cann450R	1	50.90	50.90
Topguard birdguard cowl 260 tall red	TG260R	1	101.36	101.36
Smoke pellet tube	Smoke	1	11.34	11.34
310ml Skeleton Gun	Sealgun	1	6.40	6.40
Flue notice plate	Plate	1	7.73	7.73
Red polypropylene air brick 220mm x 72mm	REDG930	3	0.92	2.76
High impact styrene black cavity sleeve 218mm x 72mm	CSG935	3	5.03	15.09

For UK mainland up to 300 miles, orders over £1,700 goods value are delivered free  
Charge for individually plotting multiple flue orders is £30 per flue.  
\* For collection orders add collection charge of £15 plus VAT

Cost ex-works *	<b>1125.07</b>
Delivery charge	<b>95.00</b>
Goods	<b>£ 1,220.07</b>
VAT @ 20%	<b>244.01</b>
Total	<b>£ 1,464.08</b>

Prices shown are based on the Dunbrik ex-works trade price list of October 2021 and are valid for 30 days.  
Prices are subject to VAT. All trading is subject to our standard conditions of sale (copy available).

**Notes**

This flue costing is based on information provided. Please have your architect check the costing to your drawings prior to ordering to ensure that it meets with your requirements. Please also check the pot/terminal style and colour.  
For construction guidance refer to the flue illustration and the installation guide available by post, fax or website.

Please ensure that the flue and chimney are constructed in accordance with Building regulations part J

