

Costing for: Typical Flue Detail Costing	Costing ref: SJ 200ID-7m-offset-2-23A
House type: House with 200mm I.D. Flue	Date: 16 October 2023
Customer ref. Chimney Height 7017	By: SJ
Site:	Price list: October 2023
Plot number:	

Components	Product code	Qty	Prices each	Disc %	Cost £
Dunbrik A1 concrete flue liner system					
Throat lintel/gather unit 800mm wide	200TL800	1	94.75		94.75
200mm flue liner bend 22.5 degrees	200B	4	18.29		73.16
200mm flue liner 600mm tall	200L600	8	18.74		149.92
200mm flue liner 230mm tall	200L230	2	11.21		22.42
200mm flue liner 150mm tall	200L150	2	8.85		17.70
Cannon pot 450mm tall red	Cann450R	1	50.90		50.90
Flue liner sealant 310ml	Dunseal	6	6.68		40.08
Infill aggregate 22kg mix for void	Dunfil	20	6.98		139.60
Flue notice plate	Plate	1	7.73		7.73
Topguard birdguard cowl 260 tall red	TG260R	1	101.36		101.36

Total for system components

Cost ex-works	697.62
Delivery charge	60.00
Goods	£ 757.62
VAT @ 20%	151.52
Total	£ 909.14

Additional products (if required)

Smoke pellet tube	Smoke	1	11.34		11.34
310ml Skeleton Gun	Sealgun	1	6.40		6.40
Red polypropylene air brick 220mm x 72mm	REDG930	3	0.92		2.76
High impact styrene black cavity sleeve 218mm x 72mm	CSG935	3	5.03		15.09

Plus VAT @ 20%

All prices are ex-works, valid for 30 days and are subject to VAT.
Charge for individually plotting multiple flue orders is £30 per plot.
Free delivery for orders over £1,000 nett invoice value (ex-Vat) to UK mainland excluding the Highlands of Scotland (POA).
All trading is subject to our standard conditions of sale (copy available).

Notes

This flue costing is based on information provided. Please have your architect check the costing to your drawings prior to ordering, to ensure that it meets with your requirements. Please also check the pot/terminal style and colour.

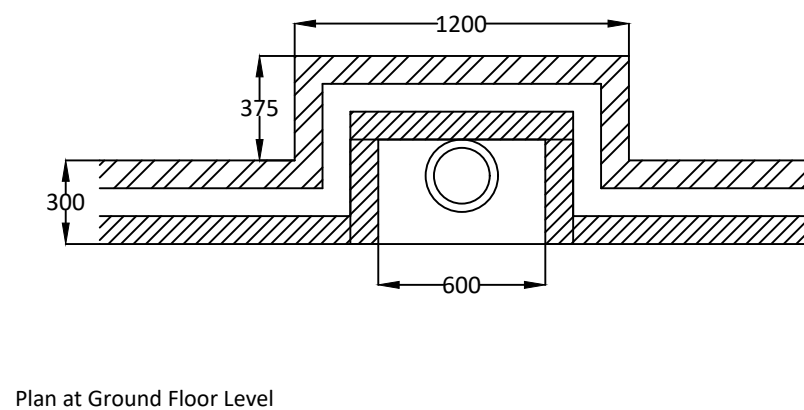
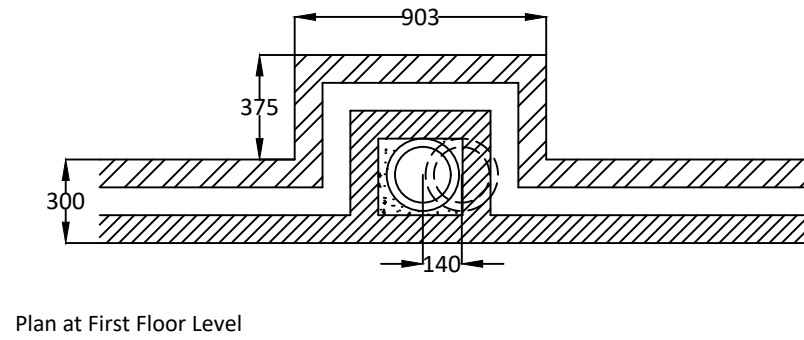
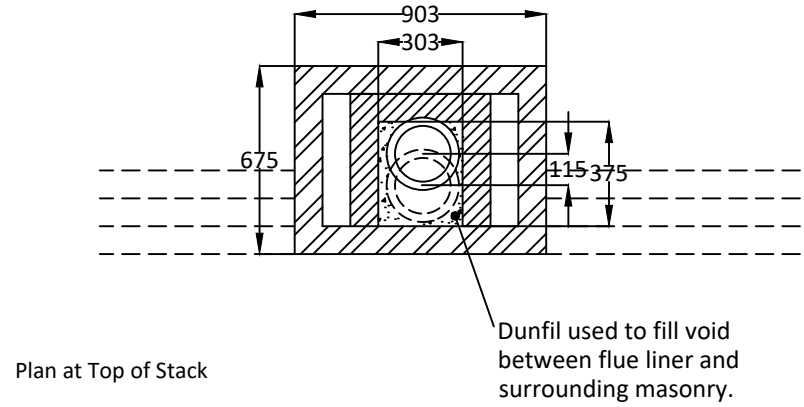
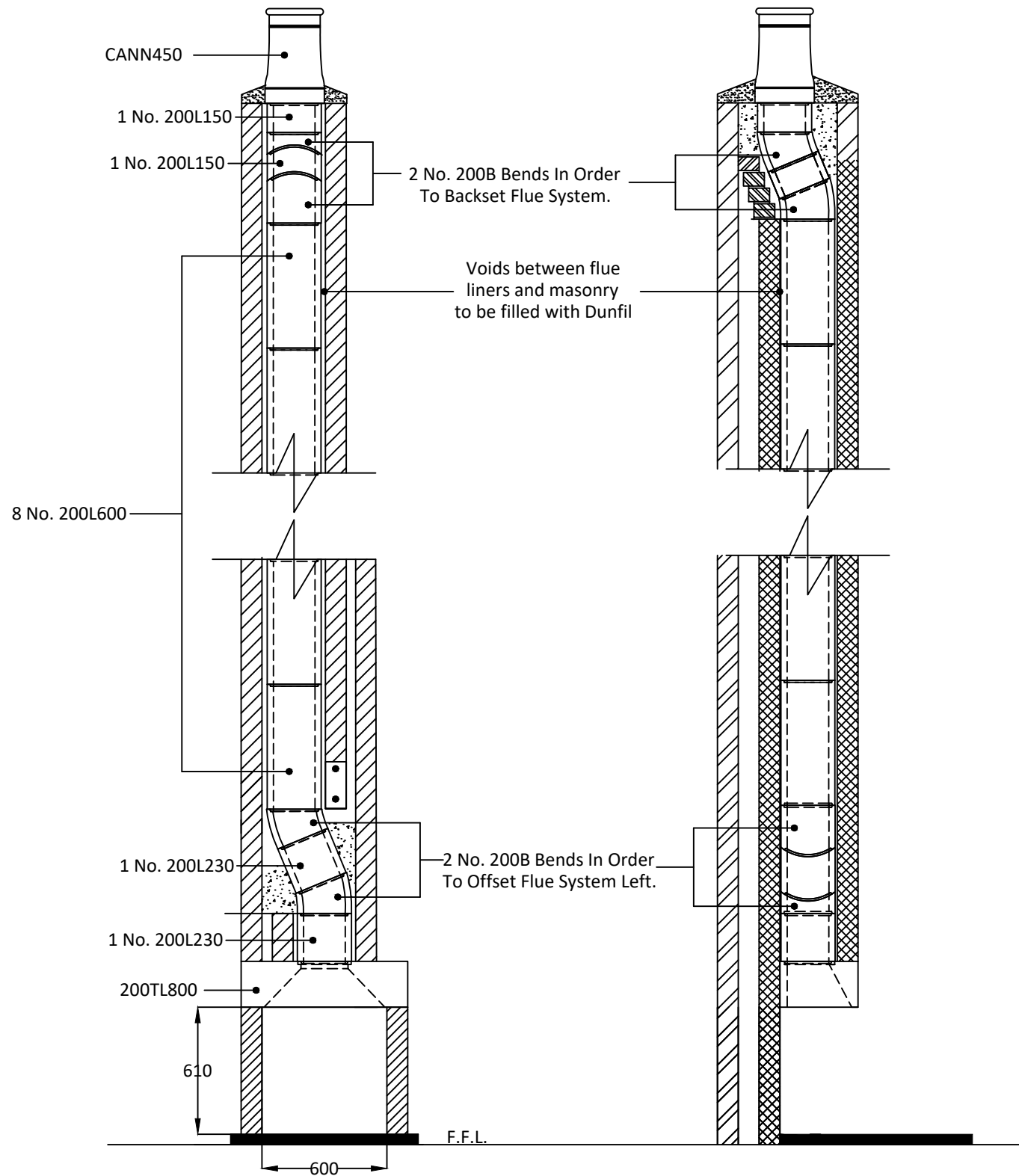
For construction guidance refer to the flue illustration and the installation guide available on our website dunbrikflues.co.uk

The infill is based on a 303mm x 375mm void between the liners and masonry

Please ensure that the flue and chimney are constructed in accordance with Building regulations part J

Notes

Chimney Height of 7037mm from FFL to underside of chimney pot.



Please have your architect check this typical flue detail to your drawings to ensure it meets both your requirements and current building regulations.

ALL DIMENSIONS ARE SHOWN IN MILLIMETRES NOT TO SCALE

