



Topguard TG260R

The Topguard is designed to be fitted onto domestic chimney pots and flue pipe. The unique design keeps birds, leaves, vermin etc. from entering chimney flues without affecting sweeping and reduces direct rain ingress.

**Main Features**

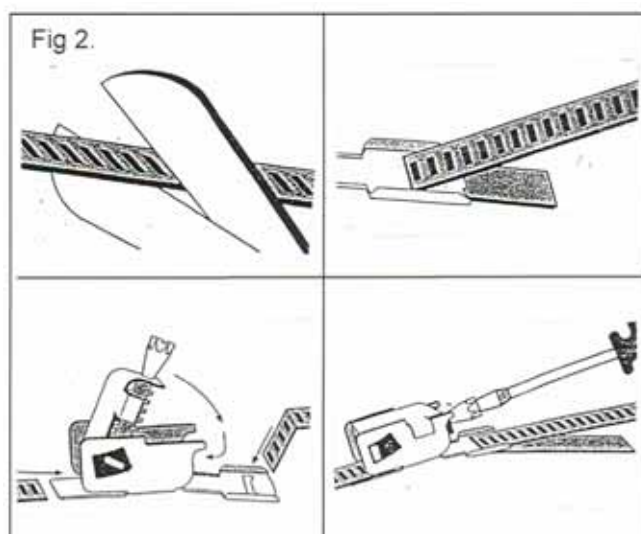
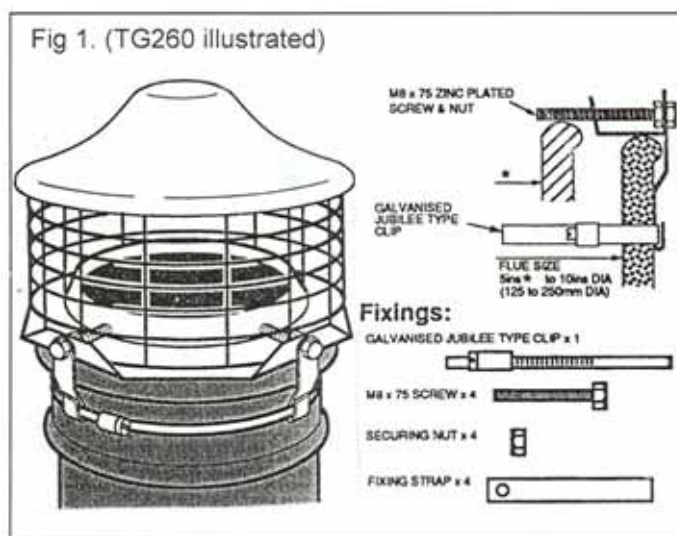
- Not adversely affected by rain, frost, snow or ice
- Withstands acid and fume attack from all normal fuels and is not effected by electrolytic action
- Suitable for fuels that do not produce excessive soot deposits
- Top cover and base plate (no base plate on TG350 and TG500) manufactured from 1mm high-grade mild steel, side mesh is in 16-gauge sheet steel wire.
- Zinc plated and powder coated to resist corrosion.
- Available in terracotta red or buff colour
- 12 month manufacture guarantee from purchase

Product code	Internal dia. mm	Height mm	Weight kg	Compatible Dunbrik Chimney Pots
TG260	220	260	1.6	Cannon Head, Roll Top and Square Based Round Pots
TG350	360	245	2.0	300RST750 Round Straight Pot
TG500	505	395	3.6	450RST900 Round Straight Pot

**Availability** Through builders merchants, for collection or delivery by carrier.  
When ordering please state the Topguard size and either terracotta red or buff colour.

**Installation Guidance**

- Ensure you have 4 fixing straps, 4 nuts & bolts, a steel band with a jubilee clip (2 bands for TG500). See Fig 1.
- Attach the 4 fixing straps to the TG260 base plate using the bolts and nuts supplied.
- For the TG350 & TG500, attach the straps to the plates fixed on the mesh using the bolts and nuts supplied.
- Assemble the jubilee clip. Bend the band through the slot in the jubilee clip at one end. (See Fig 2.)
- Wind the steel band around the chimney pot and thread it through the jubilee clip.
- Place the Topguard on the pot.
- Wrap the steel band around the pot over the 4 fixing straps and tighten the jubilee clip with a screwdriver.
- Check that the band and straps are securely clamped.
- Cut off the surplus band.
- Bend the fixing straps up, over the steel band to secure (as shown in Fig 1.).
- Two bands are supplied with the TG500. Both should be used to secure the fixing straps.



To ensure the integrity of the fixing, we recommend that mechanical fastenings are inspected periodically and tightened as necessary, particularly in areas subject to high winds