

Example of A1 round flue liners with an offset



Dunbrik concrete flue liners are CE marked to certified performance standards in EN 1857. Manufacturing is to a Quality Assurance Scheme certificate ref. FM 24104. Products are type tested by BSRIA and the Factory Production Control certified by BSI Assurance UK Ltd ref 0086-CPD-597465.

Dunbrik A1 Concrete Flue Liners

The Dunbrik A1 Concrete Flue Liners are used in the construction of domestic chimneys suitable for all types of domestic fires. They comply with Building Regulations Approved Document J: 2010 (ADJ) and have passed European Standard BS EN 1857 for Type A1 in classes T600 N1 D 3 G as detailed in ADJ section G. This is the highest standard of temperature, gas tightness and soot fire resistance. This exceeds Building Regulation requirements of T450 N2. The concrete liners are CE marked from 1st July 2013.

A domestic chimney is a structure made with a minimum of 100mm thick masonry lined with purpose made flue liners. Householders can burn any domestic fuel including coal and properly seasoned wood or install any domestic gas fire including flame effect fires.

Flue Liner System Sizes

Dunbrik Flues offer a range of sizes to suit most domestic flue requirements. Round liner systems enable offsets to be constructed with the minimum number of bends.

The 200mm and 225mm systems are suitable for use with firebacks, standard recess opening sizes of 500mm by 550mm and for stove connection up to 200mm external diameter pipe.

The larger flue liners enable householders to have larger fireplace openings as set out in the following table.

| Internal flue mm | Maximum lintel span Mm | Maximum recess area sq mm | Typical recess face width & height mm |
|------------------|------------------------|---------------------------|---------------------------------------|
| 200 round | 600 | 275,000 | 500 by 550 |
| 225 round | 600 | 275,000 | 500 by 550 |
| 300 round | 800 | 471,000 | 800 by 585 |
| 450 round | 1,100 | 1,060,000 | 1,100 by 960 |
| 200 square | 600 | 275,000 | 500 by 550 |
| 250 square | 800 | 417,000 | 700 by 595 |
| 300 square | 800 | 600,000 | 800 by 750 |

General Chimney Guidance and Information Sources

Regulations - A chimney should be designed and built by a competent person with knowledge of regulations and building practices. The detailed requirements are set out in Building Regulations Approved Document J 2010 (ADJ) for England and Wales; there are similar regulations, with some variation, in Scotland and Northern Ireland.

Guidance is also given in NHBC guide, chapter 6.8 and the Lead Sheet Association guide (tel 01622 872432)

Chimney Structure - A chimney height of 4.5m or over is normally sufficient for flue draught. The depth of the chimney foundations should be the same as the adjacent wall foundation. In order to provide stability, masonry chimneys should be bonded to, or be supported by, adjoining walls of the building. The masonry should be suitable brick, medium weight blocks or stone, with mortar joints. The minimum required wall thickness for a masonry chimney is 100mm or 200mm in the wall adjacent to another compartment or dwelling - see ADJ diagram 20. In Scotland, brick/blockwork should also have a density of at least 1600 kg/m³.

Clearances - Combustibles must be at least 200mm away from the inside face of the flue liner or have a 40mm air gap from the outside face of the chimney. A timber frame above the fireplace recess should be a minimum of 300mm away from the recess. Timbers and masonry should be separated by a 10mm movement gap filled with mineral wool.

Bends - A flue liner bend is used to create an offset to align flue with house walling or to reach a chimney pot position. The number of bends should be kept to a minimum for better draw efficiency and to enable chimney sweeping access. A bend may also be used to prevent vertical rain ingress, but this can also be achieved with a suitable cowl. A round liner system can achieve complex offsets diagonally using just two liner bends.

Where more than two bends at 45 degrees are used in a flue, additional sweeping access is required by ADJ 1.49 diagram 15. Bends must not exceed an angle of 45 degrees.

Technical Assistance

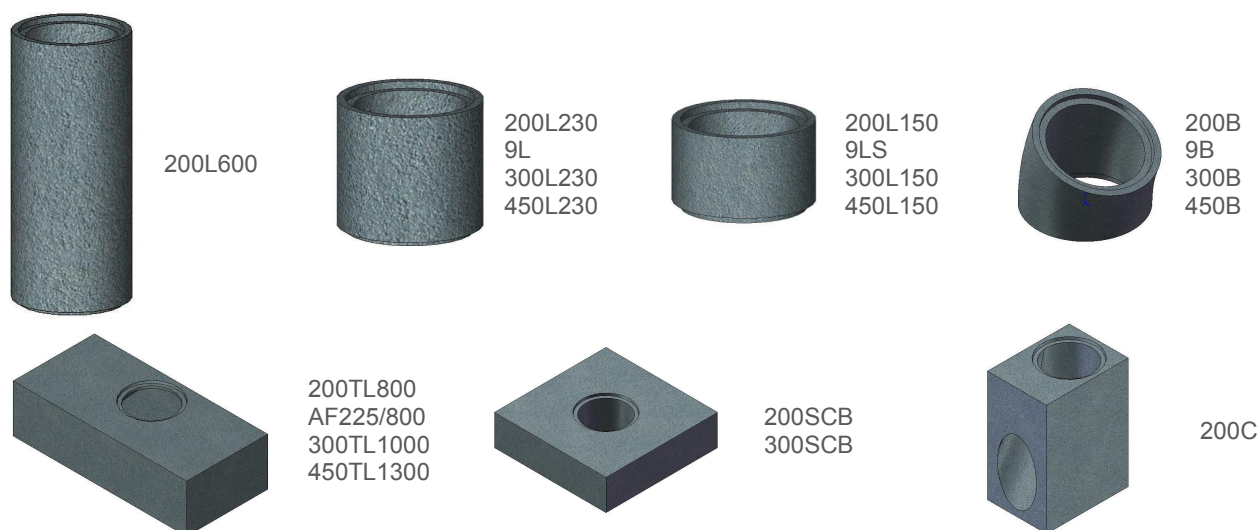
Dunbrik Flues is the specialist manufacturer in the UK of concrete flue liner systems and gas flue block systems for domestic dwellings. System details and guidance is available on our website www.dunbrik.co.uk.

We can also produce a flue costing based on your requirements, please contact our technical staff for details.

Telephone: 01924 373694 Fax: 01924 383459 email: tech@dunbrik.co.uk

| Installation Guide Contents | | | |
|-----------------------------|----------------------------------|---------|------------------------------------|
| page 3 | Round system components details | part 7 | Chimney check and smoke testing |
| page 4 | Square system components details | part 8 | Product safety information |
| part 1 | Hearth | part 9 | Fireback option |
| part 2 | Fireplace recess | part 10 | Flue completion checklist |
| part 3 | Bends in flues | part 11 | Notice plate for hearths and flues |
| part 4 | Flue liner installation | app. A | Flue checklist |
| part 5 | Chimney stack and pot | app. B | Notice plate guide |
| part 6 | Air supply for combustion | | |

Dunbrik A1 Flue Components - Round Liner Systems

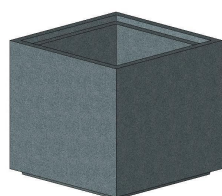


Shapes vary with the different flue sizes and bend angles

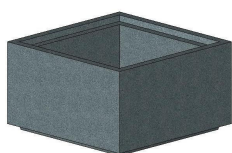
| Component Details | Product Code | Weight kg | Dimensions mm | | Width x Depth mm | Height mm |
|--------------------------------------|--------------|-----------|---------------|----------|------------------|-----------|
| | | | Internal | External | | |
| 200mm Internal diameter round | | | | | | |
| Straight flue liner - 600mm tall | 200L600 | 20.4 | 200 | 260 | - | 600 |
| Straight flue liner - 230mm tall | 200L230 | 8.0 | 200 | 260 | - | 230 |
| Straight flue liner - 150mm tall | 200L150 | 5.6 | 200 | 260 | - | 150 |
| Liner bend 22.5 degree | 200B | 4.9 | 200 | 260 | - | 200 |
| Throat lintel 800mm wide | 200TL800 | 74 | - | - | 800 x 375 | 220 |
| Stove connection block | 200SCB | 68 | - | - | 552 x 552 | 150 |
| Gather Unit 900mm wide | 200GU900 | 43 | - | - | 900 x 375 | 220 |
| Gather Unit 1,000mm wide | 200GU1000 | 51 | - | - | 1,000 x 375 | 220 |
| Gather Unit 1,100mm wide | 200GU1100 | 89 | - | - | 1,100 x 375 | 220 |
| Boiler/stove connection at 45 deg. | 200C | 52 | - | - | 260 x 360 | 490 |
| Cannon head chimney pot | CANN450 | 14 | 260 | 300 | - | 450 |
| Topguard steel cowl 260mm tall | TG260 | 1.6 | 220 | 290 | - | 260 |
| 225mm Internal diameter round | | | | | | |
| Straight flue liner - 230mm tall | 9L | 8.2 | 225 | 285 | - | 230 |
| Straight flue liner - 140mm tall | 9LS | 5.1 | 225 | 285 | - | 140 |
| Liner bend 22.5 degree | 9B | 8.7 | 225 | 285 | - | 270 |
| Throat lintel 800mm wide | AF225/800 | 89 | - | - | 800 x 385 | 220 |
| Cannon head chimney pot | CANN450 | 14 | 260 | 300 | - | 450 |
| Topguard steel cowl 260mm tall | TG260 | 1.6 | 220 | 290 | - | 260 |
| 300mm Internal diameter round | | | | | | |
| Straight flue liner - 230mm tall | 300L230 | 10.5 | 300 | 360 | - | 230 |
| Straight flue liner - 150mm tall | 300L150 | 6.4 | 300 | 360 | - | 150 |
| Liner bend 30 degree | 300B | 9.3 | 300 | 360 | - | 318 |
| Throat lintel 1000mm wide | 300TL1000 | 114 | - | - | 1000 x 475 | 220 |
| Spacer lintel 1200mm wide | 300/1200 | 75 | - | - | 1200 x 475 | 220 |
| Stove connection block | 300SCB | 59 | - | - | 552 x 552 | 150 |
| Corner fireplace lintel | 300CFL | 103 | - | - | 735 x 735 | 220 |
| 300mm round straight pot | 300RST750 | 51 | 300 | 360 | - | 750 |
| Topguard steel cowl 350 i.d. | TG350 | 2.0 | 360 | - | - | 245 |
| 450mm Internal diameter round | | | | | | |
| Straight flue liner - 230mm tall | 450L230 | 15.6 | 450 | 510 | - | 230 |
| Straight flue liner - 150mm tall | 450L150 | 11.0 | 450 | 510 | - | 150 |
| Liner bend 22.5 degree | 450B | 11.1 | 450 | 510 | - | 247 |
| Throat lintel 1300mm wide | 450TL1300 | 194 | - | - | 1300 x 625 | 220 |
| 450mm round straight pot | 450RST900 | 105 | 450 | 510 | - | 900 |
| Topguard steel cowl 500 i.d. | TG500 | 3.7 | 505 | - | - | 395 |
| Other items | | | | | | |
| Milner fireback – 450mm | 450 FB | 38 | - | - | 450 x 175 | 570 |
| Fireproof mortar paste cartridge | Dunseal | 0.6 | - | - | - | - |
| Chimney infill aggregate & cement | Dunfil | 22 | - | - | - | - |
| Smoke pellets | Smoke | - | - | - | - | - |
| Flue notice plate | Plates | - | - | - | 147 x 160 | - |

Chimney pots and cowls are available in red or buff. Other chimney pots are also available, please check for suitability.

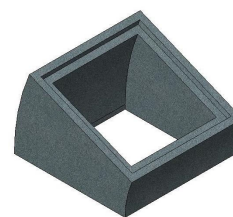
Dunbrik A1 Flue Components - Square Liner Systems



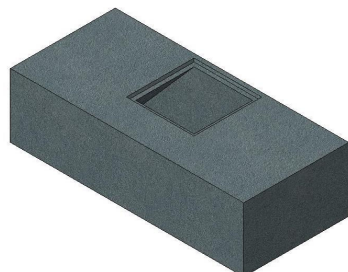
8L
10L
12L



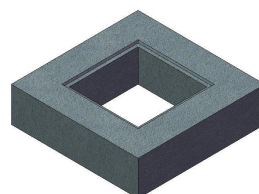
8LS
10LS
12LS



8B
10B
12B



AF200/800
AF250/1000S
AF300/1000S



10CCB
12CCB

Shapes vary with the different flue sizes and bend angles

| Component Details | Product Code | Weight kg | Dimensions mm | | Width x Depth mm | Height mm |
|-----------------------------------|--------------|-----------|---------------|----------|------------------|-----------|
| | | | Internal | External | | |
| 200mm Internal square | | | | | | |
| Straight flue liner - 230 mm tall | 8L | 10.0 | 200 | 260 | - | 230 |
| Straight flue liner - 140 mm tall | 8LS | 5.9 | 200 | 260 | - | 140 |
| Liner bend 22.5 degree | 8B | 5.6 | 200 | 260 | - | 175 |
| Throat lintel 800mm wide | AF200/800 | 81 | - | - | 800 x 360 | 220 |
| Cannon head chimney pot | CANN450 | 14 | 260 | 300 | - | 450 |
| Topguard steel cowl 260mm tall | TG260 | 1.6 | 220 | 290 | - | 260 |
| 250mm Internal square | | | | | | |
| Straight flue liner - 230 mm tall | 10L | 10.5 | 250 | 310 | - | 230 |
| Straight flue liner - 140 mm tall | 10LS | 6.8 | 250 | 310 | - | 140 |
| Liner bend 30 degree | 10B | 9.3 | 250 | 310 | - | 245 |
| Throat lintel 1000mm wide | AF250/1000S | 91 | - | - | 1000 x 425 | 225 |
| Spacer lintel 1200mm wide | 250/1200 | 75 | - | - | 1200 x 425 | 150 |
| Canopy connection block | 10CCB | 61 | - | - | 552 x 552 | 150 |
| Square based round pot | SBRP685 | 29 | 280 | 330 | - | 685 |
| Topguard steel cowl 260mm tall | TG260 | 1.6 | 220 | 290 | - | 260 |
| 300mm Internal square | | | | | | |
| Straight flue liner - 230 mm tall | 12L | 14.3 | 300 | 360 | - | 230 |
| Straight flue liner - 140 mm tall | 12LS | 9.2 | 300 | 360 | - | 140 |
| Liner bend 30 degree | 12B | 15.1 | 300 | 360 | - | 275 |
| Throat lintel 1000mm wide | AF300/1000S | 83 | - | - | 1000 x 475 | 220 |
| Spacer lintel 1200mm wide | 300/1200 | 75 | - | - | 1200 x 475 | 220 |
| Canopy connection block | 12CCB | 54 | - | - | 552 x 552 | 150 |
| 300mm Round straight pot | 300RST750 | 51 | 300 | 360 | - | 750 |
| Topguard steel cowl 350 i.d. | TG350 | 2 | 360 | - | - | 245 |
| Other items | | | | | | |
| Milner fireback – 450mm | 450 FB | 38 | - | - | 450 x 175 | 570 |
| Liner sealant 310ml cartridge | Dunseal | 0.6 | - | - | - | - |
| Chimney infill aggregate & cement | Dunfil | 22 | - | - | - | - |
| Smoke pellets | Smoke | - | - | - | - | - |
| Flue notice plate | Plates | - | - | - | 147 x 160 | - |

Chimney pots and cowls are available in red or buff. Other chimney pots are also available, please check for suitability.

Dunbrik products are available in the UK through builders' merchants. Ask for details of your nearest supplier.

Dunbrik A1 Concrete Flue Liners - Installation Guide

1. Hearth

Detailed guidance and diagrams on the size, shape and location of hearths is given in ADJ section 2. Adopt the appropriate design for your requirements.

A constructional hearth should be made of solid, non-combustible material such as concrete or masonry at least 125mm thick up to floor level. No combustible material should be placed underneath a constructional hearth unless there is an air space of 50mm or more or the combustible material is at least 250mm below the top of the hearth. A finished/decorative hearth should be at least 12mm thick and made of non-combustible sheet material or tiles.

2. Fireplace Recess

The throat lintel/gather unit is a structural lintel to form the fireplace recess, a gather into the flue and a support for the flue liners above. The size of the fireplace opening (finished recess width x height) required, determines the flue liner size needed. The following table sets out the recess dimensions for the Dunbrik systems. For stoves or canopy hoods, please ask our technical staff for a calculation of the flue size required for your proposed appliance.

| Internal flue mm | Flue cross section 1,000 sq mm | Throat lintel/gather unit | Maximum lintel span Mm | Recess depth mm | Maximum recess area 1,000 sq mm | Typical recess face width & height mm |
|------------------|--------------------------------|---------------------------|------------------------|-----------------|---------------------------------|---------------------------------------|
| 200 round | 31 | 200TL800 | 600 | 375 | 275 | 500 by 550 |
| 225 round | 40 | AF225/800 | 600 | 385 | 275 | 500 by 550 |
| 300 round | 71 | 300TL1000 | 800 | 475 | 471 | 800 by 585 |
| 450 round | 159 | 450TL1300 | 1,100 | 625 | 1,060 | 1,100 by 960 |
| 200 square | 40 | AF200/800 | 600 | 360 | 267 | 500 by 550 |
| 250 square | 62 | AF250/1000S | 800 | 425 | 417 | 700 by 595 |
| 300 square | 90 | AF300/1000S | 800 | 475 | 600 | 800 by 750 |

Installation guidance

- The depth of the fireplace recess (same as lintel depth) is set out in the table
- Build 100mm blockwork to form the fireplace recess to the desired height
- For an internal recess, increase the side cheeks (jambes) to 200mm
- For a cavity wall use 100mm blockwork and a minimum 50mm cavity
- Support the throat lintel on a minimum 100mm on both sides on a 5mm mortar bed flush with the jambes at the front face of the recess – as diagram
- Any material in the cavity behind the fireplace should be non-combustible.



Plan of throat lintel over external recess on 100mm masonry jambes

For wide openings, use the 200SCB stove connection block. This needs lintel support, such as by two Naylor Hi-Spec R9 lintels, at the front and rear, spanning the recess opening.

3. Bends in Flues

In order to allow for chimney sweeping access, only one offset should be used in a flue. If the flue needs to be offset both across and back or across and forwards, a round liner system can achieve this diagonally in one offset. Use the following table to calculate the components required or ask Dunbrik technical staff for a flue costing.

| Offset calculation table | | | System | Angle of bend | Components | Horizontal flue offset mm | Vertical flue height mm | | | | | | | | | | | | |
|--|-------|-------------------------------------|--------------------------|---------------------------|-------------------------------------|---------------------------|---------------------------|-----|-------------|-----|-----|-------|-----|-----|-------------|-------|--|-----------------------------------|--------------------------------------|
| <p>Example of an offset calculation for the 300mm system</p> <table border="1"> <thead> <tr> <th>Liners</th> <th>Offset mm</th> <th>Height mm</th> </tr> </thead> <tbody> <tr> <td>pair of 300B</td> <td>125</td> <td>425</td> </tr> <tr> <td>one 300L230</td> <td>120</td> <td>200</td> </tr> <tr> <td>total</td> <td>245</td> <td>625</td> </tr> </tbody> </table> | | | Liners | Offset mm | Height mm | pair of 300B | 125 | 425 | one 300L230 | 120 | 200 | total | 245 | 625 | 200mm round | 22.5° | 200B pair with 200L600 with 200L230 with 200L150 | 55 add 240 add 85 add 60 | 304 add 554 add 210 add 139 |
| | | | Liners | Offset mm | Height mm | | | | | | | | | | | | | | |
| | | | pair of 300B | 125 | 425 | | | | | | | | | | | | | | |
| | | | one 300L230 | 120 | 200 | | | | | | | | | | | | | | |
| | | | total | 245 | 625 | | | | | | | | | | | | | | |
| | | | 225mm round | 22.5° | 9B pair with 9L with 9LS | 75 add 95 add 55 | 430 add 220 add 130 | | | | | | | | | | | | |
| | | | 300mm round | 30° | 300B pair with 300L230 with 300L150 | 125 add 120 add 70 | 425 add 200 add 120 | | | | | | | | | | | | |
| 450mm round | 22.5° | 450B pair with 450L230 with 450L150 | 65 add 85 add 55 | 330 add 215 add 145 | | | | | | | | | | | | | | | |
| 200mm square | 22.5° | 8B pair with 8L with 8LS | 45 add 85 add 55 | 255 add 210 add 130 | | | | | | | | | | | | | | | |
| 250mm square | 30° | 10B pair with 10L with 10LS | 90 add 115 add 70 | 330 add 200 add 120 | | | | | | | | | | | | | | | |
| 300mm square | 30° | 12B pair with 12L with 12LS | 110 add 115 add 70 | 350 add 200 add 120 | | | | | | | | | | | | | | | |

Dunbrik A1 Concrete Flue Liners - Installation Guide

3. Bends in Flues *continued*

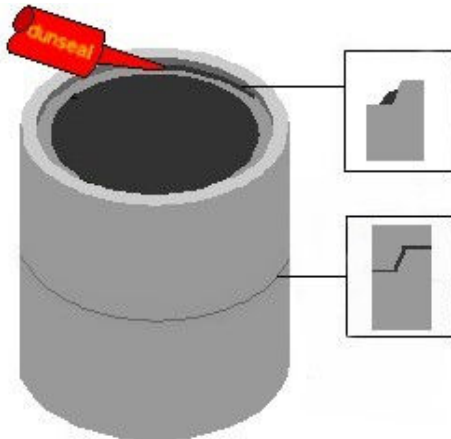
Installation guidance

- Preferably install at least one straight flue liner on the throat lintel before any bends are used
- Rotate the first liner bend in the direction required for the flue offset
- Use straight liners at an angle between the liner bends to increase the offset distance
- Support the liner bends and angled liners with masonry, minimising voids
- Use a liner bend to return the flue to the vertical
- Infill voids with dunfil and allow to set
- Where the flue liners pass through a wall, a suitable designed pre-cast concrete lintel must be used to support the wall and a cavity tray should be installed at least 200mm above the flue liner passing through the wall
- Follow the flue liner jointing and walling guidance on the next page
- Follow the flue liner installation steps below

4. Flue Liner Installation

Install flue liners and bends with the tongue pointing downwards into the socket, joined with Dunseal fireproof mortar. Allow approx. 3 joints per cartridge for 200mm and 225mm liners, 2 joints for 250mm and 300mm liners and 1 joint for 450mm liners. Encase liners in a minimum of 100mm masonry. Keep voids between the liners and masonry to a minimum and fill the voids with Dunfil as construction proceeds. Protect the flue liners, liner joints and masonry from rain and moisture until the chimney is weather-tight.

Dunseal mortar



Fireproof mortar jointing

Liner jointing

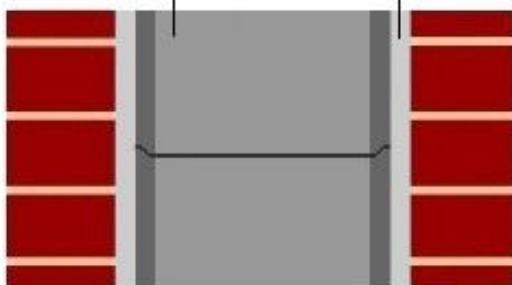
- Avoid starting the flue run with a bend (see section 3 - bends in flues)
- Check the liner tongue and socket detail for any damage and discard any with defects
- Cut the nozzle of the Dunseal cartridge 40mm from the end, to provide a 10mm wide bead
- Apply Dunseal all around the rebate of the throat lintel exit hole
- Press the first flue liner, tongue downwards, to create a seal
- Apply Dunseal to the rebate of the first liner and press down the next liner to create a seal
- Smooth the Dunseal across the joints in the flueway
- Remove any surplus material from the flueway
- Repeat the jointing process with further flue liners / liner bends

Liners and masonry

- Build the masonry from the throat lintel around the liners to form the chimney breast
- Support any shoulders in the chimney breast with precast lintels as required
- Build 100mm masonry (for suitable materials see page 2) around the flue liners, minimising voids
- Mix Dunfil insulating material with the enclosed bag of cement (10:1 mix) and water to make a semi-dry mortar
- Fill voids between the flue liners and masonry with Dunfil mix
- Do not compact the Dunfil within the voids
- Install further flue liners, walling and infill
- At roof breakout, install a saddle tray damp proof course
- Use stepped lead flashings at the junction with brickwork and roof tiles. (*Consult the Lead Sheet Association manual for design and installation details, tel: 01622 872432*)
- Continue to the top of the chimney stack

Flue liners jointed with Dunseal

Dunfil infill aggregate



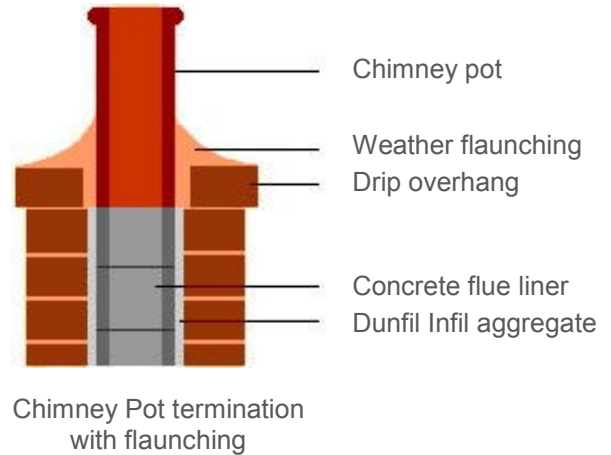
Joined liners encased in masonry

5. Chimney Stack and Pot

The height of an unrestrained chimney stack should not exceed 4.5 times the smallest width of the chimney stack. Please refer to ADJ section 2.10 to 2.12 and diagrams 17 and 18 for recommended positions of the flue outlet above the roof. Details of clearances above easily ignitable roof coverings are set out in ADJ 2.12 diagram 18. For heights of chimney stacks in Scotland consult the Scottish Regulations section 3 20.17 (formerly F4.10). Fit the pot and flue terminal or cowl in accordance with the manufacturers' instructions and check the suitability for the flue and type of appliance to be used.

Installation steps

- Use mortar capable of resisting rain and frost for stack brickwork and weather flaunching
- Install capping brickwork with a drip overhang, bed the chimney pot at least 125mm into the chimney excluding any flaunching or one quarter of its length whichever is greater
- Use mortar flaunching to finish off the stack and to hold the pot in place
- A purpose made capping can be used in place of mortar flaunching and capping brickwork
- Install a birdcowl or terminal, if required, following manufacturer's instructions



6. Air Supply for Combustion

An appliance needs a permanently open air supply for the flue to operate properly. Detailed regulations are set out in ADJ section 1, solid fuel in section 2, gas appliances in section 3 and oil burning appliances in section 4. Variations occur in the regulations for Scotland, Ireland and Northern Ireland.

7. Chimney Check and Smoke Testing

Check the flue during construction for obstructions or blockages and that jointing compound has been removed from the flueway. Provided that all jointing material has been removed from the flueway during construction and a visual check carried out, the core ball test may not be required. This can be found in ADJ Appendix E9 and E10. On completion of the flue system carry out a smoke test.

The methods of checking compliance with UK building regulations are set out in ADJ appendix E available on the government website > www.planningportal.gov.uk/buildingregulations/approveddocuments/partj/approved

A COSHH safety data sheet for smoke pellets is available from Dunbrik or from the website.

8. Product safety information

Product safety data sheets under COSHH regulations are available by post, fax or website for the following:

Smoke pellets, Dunseal, Dunfil, A1 concrete flue liners.

Manual handling should be avoided as far as is reasonably practical. An assessment should be made, taking into account the load, environment, task and the individual's capacity and training. Employ good lifting techniques. Individual product weights are listed on pages 3 & 4.

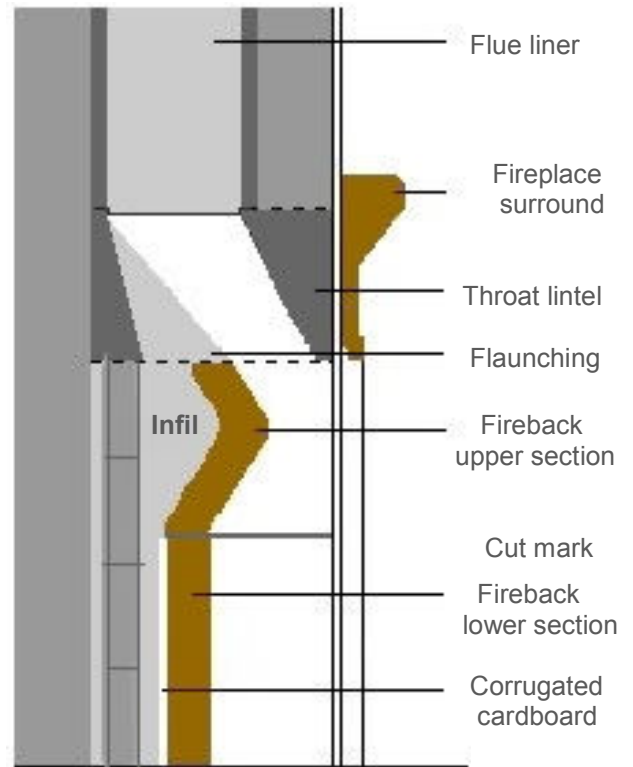
Storage should be on level ground. When stacked, the components should be restrained from falling over. Remove products from the top of the pallet and avoid cutting the wrapping at the side.

9. Fireback Installation

Follow the installation procedure for a clay fireback within the fireplace recess to keep heat from other components and to create expansion joints to avoid cracking.

Installation steps for Milner clay firebacks

- Build 100mm blockwork to leave a 50mm gap behind the fireback to reduce the space to be infilled later with Dunfil
- Cut or break the fireback across the heavy horizontal score line
- Insert the bottom piece into the fireplace recess with the front level with the front of the recess jambs
- Line the rear and sides of the fireback with combustible isolator such as corrugated cardboard or thin strawboard (This is intended to char, leaving an expansion gap to avoid cracking in use)
- Infill the gap behind the isolator with Dunfil
- Join the top section (preferably set back some 1.5mm to 2mm) to the bottom section using Dunseal fireproof mortar
- Infill behind the top section (without an isolator) and flaunch up inside the throat lintel with Dunfil to provide a smooth lead into the flue with a throat opening depth of 100mm to 120mm
- Use a non-combustible sealing rope or other heat resisting material to seal the front edge of the fireback to the fire surround.
- All installations must be allowed to dry out slowly
- Only small fires should be burnt for the first 4 or 5 days of use, no matter how long this may be after installation
- Petroleum coke must not be used with these firebacks



Fireback installed in recess

10. Flue Completion Checklist – appendix A

Building Regulations for England and Wales ADJ 2010 Appendix A sets out a suggested checklist report and certificate to enable a flue installer/chimney builder to show building control how an installation complies with Building Regulations. Dunbrik Flues can provide a checklist with standard data. Some information, such as the actual fireplace opening sizes, actual ventilation installed and variations to usual configurations are added later by the installer/builder when the installation is completed.

11. Notice Plate for Hearths and Flues – appendix B

Building Regulations (England and Wales J4 and Scotland F3.12) require each flue and chimney to be identified with a notice plate in the dwelling.

To assist you in meeting the requirements, Dunbrik can supply metal notice plates and guidance.

Details are given in appendix B, including a facsimile of a completed plate with sample data for an A1 flue.

Dunbrik (Yorks) Ltd, 172 Ferry Lane, Stanley, Wakefield, WF3 4LT

Tel: 01924 373694 Fax: 01924 383459

Email: tech@dunbrik.co.uk Web: www.dunbrik.co.uk

This checklist is based on Building Regulations ADJ Appendix A, using *standard* Dunbrik A1 Concrete Flue Liner data. The builder/installer should insert details of the actual fireplace opening sizes, actual ventilation installed and any variations to the usual data.

| Checklist for Hearths, fireplaces, flues and chimneys | |
|--|--|
| This checklist can help you to ensure hearths, fireplace, flues and chimneys are satisfactory. If you have been directly engaged, copies should also be offered to the client and to the Building control body to show what you have done to comply with the requirements of part J. If you are a sub-contractor, a copy should be offered to the main contractor. | |
| 1 Building address, where work has been carried out: _____ | |
| ADJ appendix A | Details to amend or complete |
| 2 Identification of hearth, fireplace, chimney or flue | <i>Fireplace in Lounge</i> |
| 3 Firing capability | <i>All Gas Oil Solid fuel</i> |
| 4 Intended type of appliance. State type or make. If open fire give finished fireplace opening dimensions. | <i>For gas fire or solid fuel Width _____mm by Height _____mm</i> |
| 5 Ventilation provisions for the appliance. State type and area of permanently open air vents | _____ sq mm through wall ventilation |
| 6 Chimney or flue construction | |
| a) State the type or make and whether new or existing | <i>New masonry chimney with Dunbrik A1 concrete flue liners to BSEN1857</i> |
| b) Internal flue size (and equivalent height, where calculated - natural draught gas appliances only) | _____mm internal round/square |
| c) If liners used confirm they are correctly jointed in accordance with manufacturers instructions and state jointing materials used. | <i>Tongue downwards into rebate and joined with Dunseal fireproof mortar</i> |
| d) If an existing chimney has been refurbished with a new liner, type or make of liner fitted | <i>Not applicable</i> |
| e) Details of flue outlet terminal Outlet detail: Complies with: | _____ Chimney Pot / Terminal <i>BS1181</i> |
| f) Number and angle of bends | _____ bends at _____ degrees |
| g) Provision for cleaning and recommended frequency | <i>Annually via fireplace opening</i> |
| 7 Hearth. Form of construction. New or existing | <i>New as diagram 25 in ADJ</i> |
| 8 Inspection and testing after completion Tests in Appendix E of ADJ 2010 Flue Inspection results: | Tests carried out by: |
| Visual | _____ |
| Sweeping | _____ |
| Coring ball | _____ |
| Smoke | _____ |
| Spillage | _____ |
| Appliance (where included) | |
| I/We the undersigned confirm that the above details are correct. In my opinion, these works comply with the relevant requirements in Part J of Schedule 1 to the Building Regulations. | |
| Print name and title _____ | Profession _____ |
| Capacity _____ | Tel No. _____ |
| Address _____ | Postcode _____ |
| Signed _____ | Date _____ |
| Registered membership of (e.g. Gas Safe, OFTEC, HETAS, NACE, NACS) _____ | Reg. _____ |

Dunbrik (Yorks) Ltd, 172 Ferry Lane, Stanley, Wakefield, WF3 4LT. Tel 01924 373694

Building Regulations (England and Wales J4 and Scotland F3.12) require each flue and chimney to be identified with a notice plate in the dwelling. To assist you in meeting the requirements Dunbrik can supply metal notice plates as example below.

Peel off the protective film. Enter the data with an indelible pen such as a CD marker. Fix the plate securely with strong adhesive to a clean wall in an unobtrusive but obvious position within the building such as next to; the electricity consumer unit; the water supply stop-cock; or the chimney or hearth described.

To assist you with the details, Dunbrik A1 concrete flue liners have the following designations, dimensions and appliance suitability:

| Flue type | Flue sizes | Fire/Appliance suitability |
|--|---|----------------------------|
| Dunbrik A1 concrete flue liners BSEN1857 Type A1 T600 N1 D 3 G | Round liners 200mm, 225mm, 300mm and 450mm internal round Square liners 200mm, 250mm and 300mm internal square | All domestic appliances |

Where a flue has a terminal fitted for air ventilation purposes only, the notice must state that "the flue is not to be used for fires".

Example of Notice Plate with *sample A1 chimney data* (actual metal plate is 147mm by 160mm)

| Dunbrik Flues Notice Plate for Hearths and Flues IMPORTANT SAFETY INFORMATION This plate must be permanently affixed and must not be removed or covered | | |
|--|--|---|
| Address of property | <i>Sample house 20 Main Street Newtown N1 ANY</i> | |
| Room where hearth, fireplace or start of flue located | <i>Lounge</i> | |
| The flue is suitable for these types of appliances | <i>All domestic appliances</i> | |
| For gas flues the equivalent flue height is | <i>Not applicable</i> | |
| Manufacturer, flue type and internal dimension | <i>Dunbrik A1 concrete flue liners BSEN1857 Type A1 - T600 N1 D 3 G 200mm internal round</i> | |
| Installer | <i>Smith Building Co</i> | Date installed <i>01/11/2012</i> |
| Other information | | |
| Condensing appliances: Maintenance: Installation guidance: | The flue is not suitable for condensing appliances The flue and/or chimney should be regularly inspected and maintained as advised by a qualified person. website : www.dunbrik.co.uk Tel: 01924 373694 | |

Dunbrik (Yorks) Ltd, 172 Ferry Lane, Stanley, Wakefield, WF3 4LT
 Tel: 01924 373694 Fax: 01924 383459
 Email: tech@dunbrik.co.uk Web: www.dunbrik.co.uk