

Dunbrik flues

Sample 200mm I.D. straight flue liner system for stove appliance.

Date: August 2020

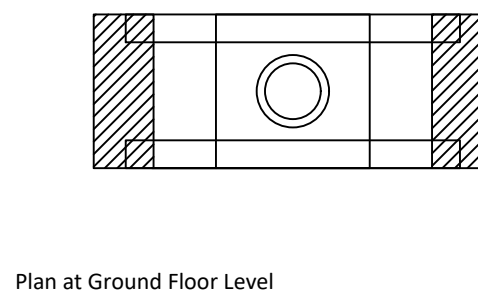
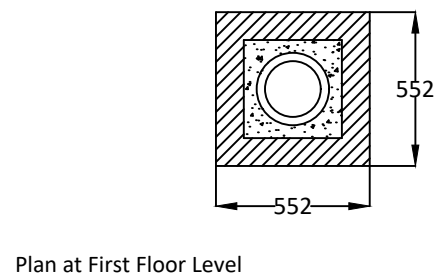
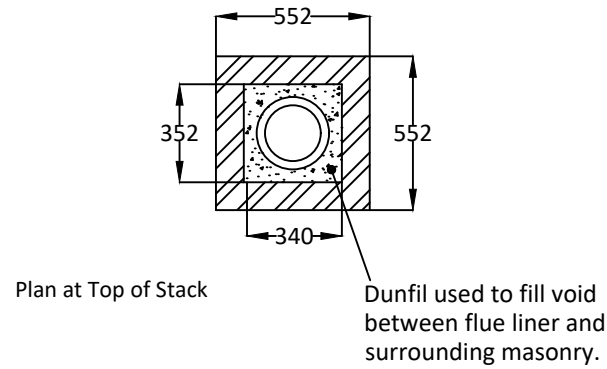
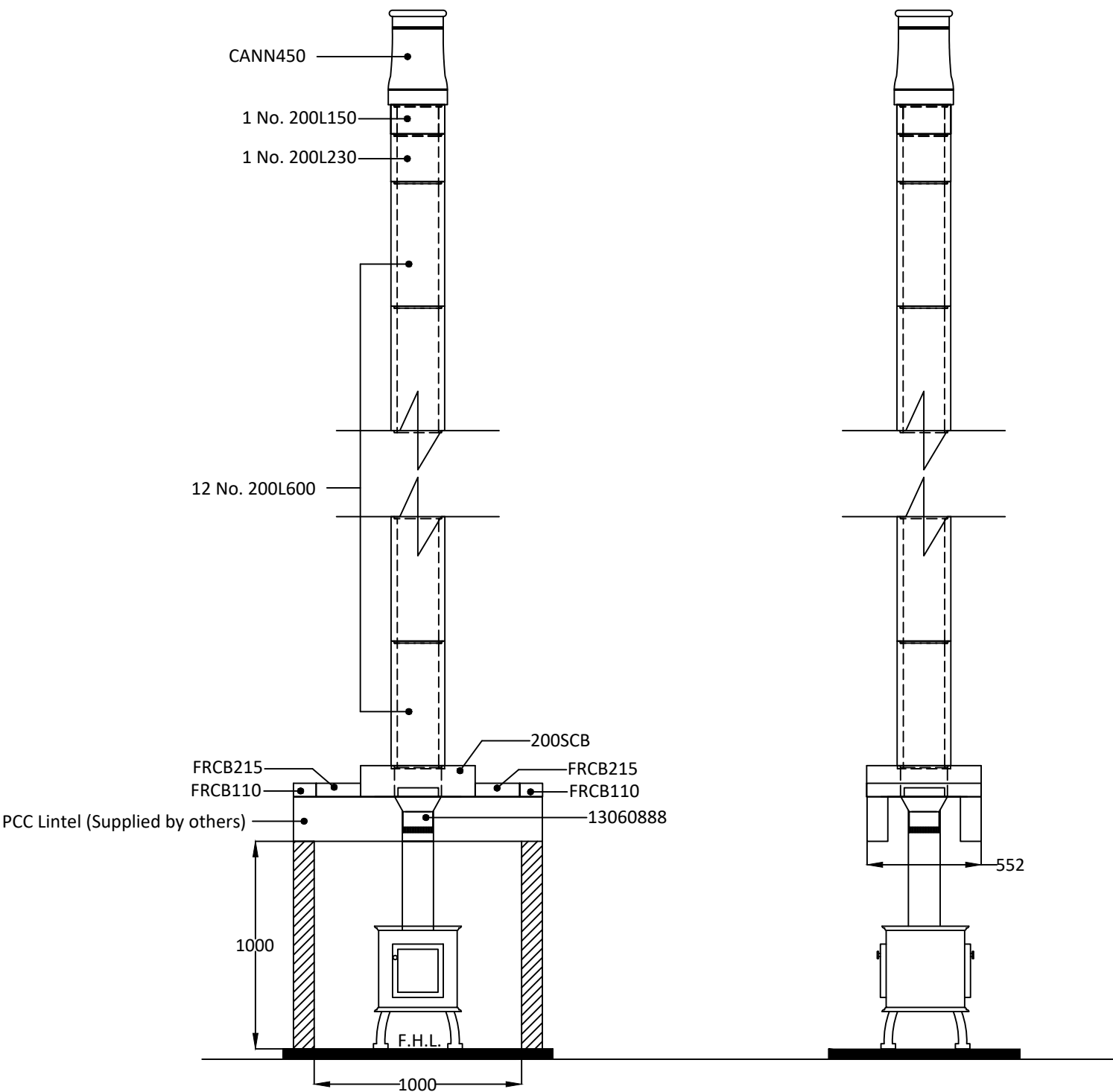
Telephone: 01924 373694 Email: tech@dunbrik.co.uk Web: www.dunbrik.co.uk

Ref: **DUN-21-9M**

Notes

Please note the fireplace recess closure blocks are a non-load bearing unit.

Chimney Height of 9005mm from FFL to underside of chimney pot.



Dunbrik A1 Concrete Flue Liner System to BS EN 1857

Please have your architect check this estimate to your drawings to ensure it meets both your requirements and current building regulations, british standards and codes of practice.

**ALL DIMENSIONS ARE SHOWN IN MILLIMETRES
NOT TO SCALE**

Costing for: **SAMPLE COSTING**
House type 200mm I.D. straight flue for stove appliance.
Customer ref. Chimney height 9005mm from ffl to u/s chimney pot.
Site
Plot number

Costing ref **SJ DUN-21-9M**
Date 20 August 2021
By SJ
Price list October 2021

| Components | Product code | Qty | Prices each | Cost £ |
|--|--------------|-----|-------------|--------|
| Support lintels supplied by others | n/a | | | |
| Fireplace recess closure block 215mm x 552mm x 65mm | FRCB215 | 2 | 11.36 | 22.72 |
| Fireplace recess closure block 110mm x 552mm x 65mm | FRCB110 | 2 | 8.77 | 17.54 |
| Stove connection block 552mm x 552mm x 150mm | 200SCB | 1 | 145.80 | 145.80 |
| 200mm flue liner 600mm tall | 200L600 | 12 | 18.74 | 224.88 |
| 200mm flue liner 230mm tall | 200L230 | 1 | 11.21 | 11.21 |
| 200mm flue liner 150mm tall | 200L150 | 1 | 8.85 | 8.85 |
| Flue liner sealant 310ml | Dunseal | 5 | 6.68 | 33.40 |
| Infill aggregate 22kg mix for void | Dunfil | 29 | 13.92 | 403.68 |
| Cannon pot 450mm tall red | Cann450R | 1 | 50.90 | 50.90 |
| Topguard birdguard cowl 260 tall red | TG260 | 1 | 101.36 | 101.36 |
| Smoke pellet tube | Smoke | 1 | 11.34 | 11.34 |
| Flue notice plate | Plate | 1 | 7.73 | 7.73 |
| Stove pipe adaptor for 200SCB (155mm to 200mm) | 13060888 | 1 | 147.40 | 147.40 |
| 310ml Skeleton Gun | Sealgun | 1 | 6.40 | 6.40 |
| Red polypropylene air brick 220mm x 72mm | REDG930 | 2 | 0.92 | 1.84 |
| High impact styrene black cavity sleeve 218mm x 72mm | CSG935 | 2 | 5.03 | 10.06 |

For UK mainland up to 300 miles, orders over £1,700 goods value are delivered free
Charge for individually plotting multiple flue orders is £30 per flue.
* For collection orders add collection charge of £15 plus VAT

| | |
|-----------------|-------------------|
| Cost ex-works * | 1205.11 |
| Delivery charge | 95.00 |
| Goods | £ 1,300.11 |
| VAT @ 20% | 260.02 |
| Total | £ 1,560.13 |

Prices shown are based on the Dunbrik ex-works trade price list of October 2021 and are valid for 30 days.
Prices are subject to VAT. All trading is subject to our standard conditions of sale (copy available).

Notes

This flue costing is based on information provided. Please have your architect check the costing to your drawings prior to ordering to ensure that it meets with your requirements. Please also check the pot/terminal style and colour.
For construction guidance refer to the flue illustration and the installation guide available by post, fax or website.

Please ensure that the flue and chimney are constructed in accordance with Building regulations part J

