

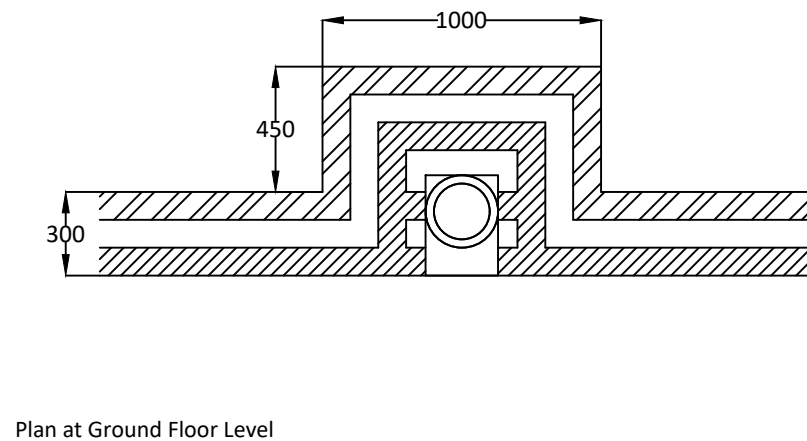
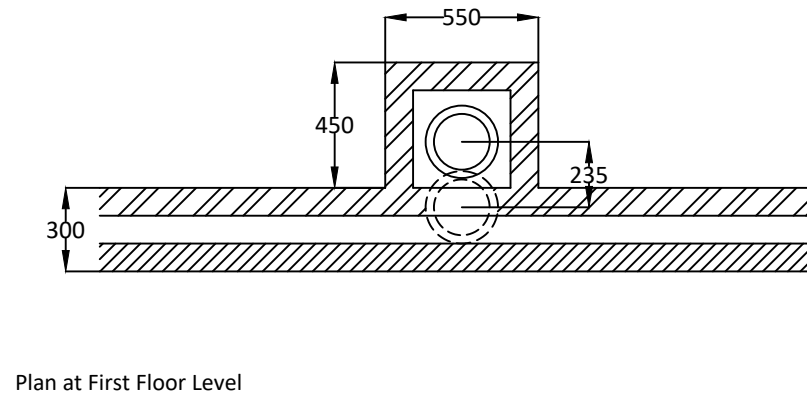
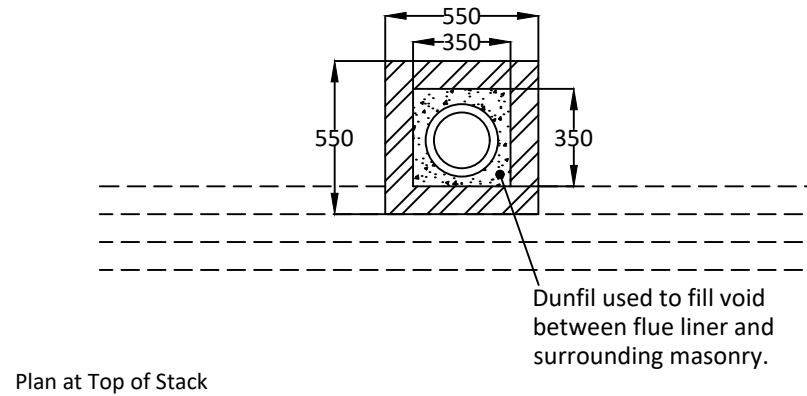
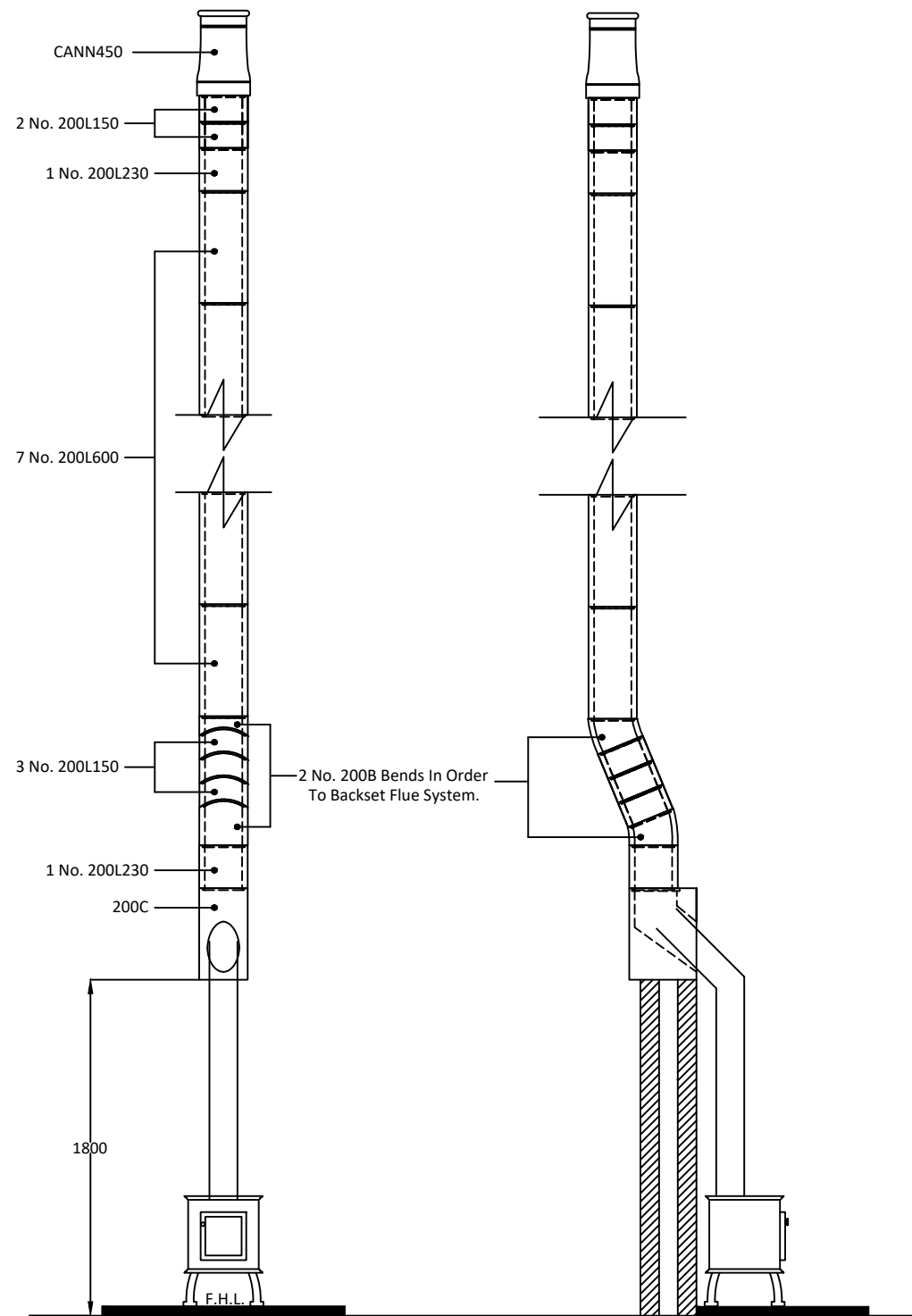
# Dunbrik flues

Sample 200mm I.D. flue liner system for free standng stove appliance with offset.

Date: August 2020

Telephone: 01924 373694 Email: tech@dunbrik.co.uk Web: www.dunbrik.co.uk

Ref: **DUN-20-8M**



## Notes

Chimney Height from FFL to underside of chimney pot.

Please have your architect check this estimate to your drawings to ensure it meets both your requirements and current building regulations, british standards and codes of practice.

Costing for: **SAMPLE COSTING**  
House with 200mm I.D. Flue.  
Chimney height 7971mm, Offset 235mm.

Costing ref **DUN-20-8M**  
Date 07 August 2020  
By SJ  
Price list July 2019

Components	Product code	Qty	Prices each	Cost £
Boiler/stove connection block at 45deg	200C	1	141.70	141.70
200mm flue liner bend 22.5 degrees	200B	2	17.42	34.84
200mm flue liner 600mm tall	200L600	7	17.85	124.95
200mm flue liner 230mm tall	200L230	2	10.68	21.36
200mm flue liner 150mm tall	200L150	5	8.43	42.15
Flue liner sealant 310ml	Dunseal	6	6.36	38.16
Infill aggregate 22kg mix for void	Dunfil	25	13.26	331.50
Cannon pot 450mm tall red	Cann450R	1	48.48	48.48
Topguard birdguard cowl 260 tall red	TG260R	1	96.53	96.53
Smoke pellet tube	Smoke	1	10.80	10.80
Flue notice plate	Plate	1	7.36	7.36
Red polypropylene air brick 220mm x 72mm	REDG930	2	0.88	1.76
High impact styrene black cavity sleeve 218mm x 72mm	CSG935	2	4.79	9.58

Cost ex-works *	<b>909.17</b>
Delivery charge	<b>95.00</b>
Goods	<b>£ 1,004.17</b>
VAT @ 20%	<b>200.83</b>
Total	<b>£ 1,205.00</b>

For UK mainland up to 300 miles, orders over £1,700 goods value are delivered free  
Charge for individually plotting multiple flue orders is £30 per flue.  
\* For collection orders add collection charge of £15 plus VAT

Prices shown are based on the Dunbrik ex-works trade price list of July 2019 and are valid for 30 days.  
Prices are subject to VAT. All trading is subject to our standard conditions of sale (copy available).

**Notes**

This flue costing is based on information provided. Please have your architect check the costing to your drawings prior to ordering to ensure that it meets with your requirements. Please also check the pot/terminal style and colour.  
For construction guidance refer to the flue illustration and the installation guide available by post, fax or website.

Please ensure that the flue and chimney are constructed in accordance with Building regulations part J

H\Y\W\W\lghlg\UgYXcb'6i ]X]b[ 'FY[i 'U]cbg'58>'5ddYbX]l '5" k ]h'8i bV]\_Zi Y' ]bYf'gng]Ya 'XLU' H\Y\W\ ]XYf#]bgU'Yf 'g'ci X]bgYfhXYU]g'cZ]hYU]U'Z]fYd'UW'cdYb]b[ 'ghYgZUMi U'j Yb]U]cb ]bgU'YX'UbX'Ubnj Uf]U]cbg'le'hY'i gi U'XLU'

: cf G]Y'Uh Gng]Ya 8UY	<b>SAMPLE COSTING</b>  <b>Dunbrik 200mm id A1 concrete flue liners</b> <b>13 Aug 2020</b>	7c]h]b[ 'fY D'chibi a VYf <ci gY'hdY 7i g]ca Yf'fYz	<b>DUN-20-8M</b>  <b>House with 200mm I.D. Flue.</b> <b>Chimney height 7971mm, Offset 235mm.</b>
---------------------------------	--	--	---

**Checklist for hearths, fireplaces, flues and chimneys**

H\g\W\W\lghWb\Y'd'nai 'le Ybgi fY\YUfh'gZ]fYd'UW'gZ]Zi Yg'UbX'W]a bYng'U'Y'gU]gZUMi'firi'Znri '\Uj Y'VYb X]fY'WiniYb[ U] YZ  
 'Wd]Yg'g'ci 'XU'g'c'Z]fYX'le'hY'W]b]h'UbX'le'hY'6i ]X]b[ '7cb]f'c'V'X'ri'le'g'ck'k'\U'ini '\Uj Y'X'cbY'le'W'a d'rik ]h'  
 'hY'fYei ]fYa Yb]g'cZ'dU]f'i>'Znri 'U'Y'U'gi V'W'b]f'U'f'f'Z'U'W'd'ng'ci 'X'V'c'Z]fYX'le'hY'a U]b'W'b]h'U'f'f'

<b>Items listed in ADJ Appendix A</b>	<b>Details for builder to complete or amend</b>
---------------------------------------	---

1	6i ]X]b[ 'UX'fYgZk \YfY'k'c'f_\Ug'VYb'W'ff]YX'ci h	
---	--	--

		5a YbX
--	--	--------

2	AYb]Z]W]cb cZ\YUfh'z]fYd'UW'z]W]a bYn'cf'Zi Y'	Fireplace in lounge
---	--	---------------------

3	]f]b[ 'WdU]l]m'g'c'XZ Y# U'g'c']#U'	All
---	-------------------------------------	-----

4	b]Yb'X'X'hdY'cZ'd'd']b'W''G]U'Y'hdY'c'f'a U_Y' Z'cdYb'Z]fY' ]j Y'Z]b]g'Y'X'Z]fYd'UW'cdYb]b[ 'X]a Yb]g]cbg'	For domestic fuel stove up to a 200mm external diameter flue outlet pipe
---	---	--

5	J Yb]U]cb' d'fc] ]g]cbg'Z'f'hY'U'd'd']b'W' G]U'Y'hdY'UbX'U'fY'c'Z'd'Y'fa U'Yb]h'ic'd'Yb'U]f'j Yb]g'	Through wall ventilation As per stove manufacturers requirements
---	--	---

6	7\ja bYn'cf'Zi Y'W'bg]fi W]cb U. G]U'Y'hY'hdY'c'f'a U_Y'UbX'k \Y'h'Y'f'bY'k 'c'f'Y] ]g]b[ " V. b]Y'f'b'U'Zi Y'g]n'Y'f]b'X'Yei ]j U'Yb]h'Zi Y'\Y] \L'z'k \Y'fY' W'W'U'X'c'U'h'f'U'X'fU ] \h] U'g'U'd'd']b'W'g'c'b'n'i' W. z]b]Y'f'g'U'fY'i g'Y'X'W'b]Z'fa 'h'Y'm'U'Y'W'ff]Y'W'ini'c' ]b]Y'X' ]b'U'W'f'X'U'b'W'k ]h' 'a Ubi ZUMi fY'g' ]bg]fi W]cbg'UbX' g]U'Y'c' ]b]b[ 'a U'Y'f]U'g'i g'Y'X' X. z'Ub'Y] ]g]b[ 'W]a bYm'U'g'VYb'fYz'f]g'Y'X'k ]h' U bY'k ' ]b'Y'f'z'hdY'c'f'a U_Y'c'Z]b]Y'f'Z]h'X' Y. 8YU]g'c'Z]Zi Y'ci hY'h'Y'fa ]bU' <span style="float:right">Ci hY'h'X]U]j</span> <span style="float:right">7ca d]Y'g'k ]h.</span> Z. Bi a W'f'UbX'Ub[ 'Y'c'Z'V'b'X'g'	New masonry chimney with: Dunbrik A1 concrete flue liners to BSEN1857 200mm internal diameter  Tongue downwards into rebate and joined with Dunseal fireproof mortar  Cannon pot 450mm tall BSEN13502:2002 2 bends ref 200B at 22.5 degrees
---	---	--

	[ L Dfc] ]g]cb'Z'f'W'Ub]b[ 'UbX'fY'W'a a Yb'X'X'Z'fYei Yb'W'i	Annually via stove
--	---	--------------------

7	<YU'h'": c'fa 'c'Z'W'bg]fi W]cb" B'Y'k 'c'f'Y] ]g]b[	New As diagram 25 in ADJ
---	--	-----------------------------

8	b'gdY'W]cb'UbX'Y'g]b]b[ 'U'Z]f'W'a d'Y]cb H'Y'g]f'5'd'd'Yb'X]l '9' ]b'58 > &S&S&L'UbX'f'Y'g'i ]g : i Y' ]bgdY'W]cb'f'Y'g'i ]g  5dd']b'W'f'k \Y'fY' ]b'W' X'Y'X	H'Y'g]g'W'ff]Y'X'ci h'V'n:  J ]g] U Gk'Y'd]b[ 7 c]f]b[ 'W' Ga'c_Y Gd] 'U'Y
---	--	--

**I/We the undersigned confirm that the above details are correct. In my opinion, these works comply with the relevant requirements in Part J of Schedule 1 to the Building Regulations.**

Df]b]h'Ua Y/ ]h]Y	Dfc'Z]gg]cb
7U'dU]m	HY'bc
5XX'fYgg	Dcg]W'XY
G] ]bYX	8UY

FY] ]g]fY'X'a Ya W'f'g' ]d'c'Z'f]f' ]: U'g'GU'Z]h'z'C: H97z<9H5GzB579zB57GL