

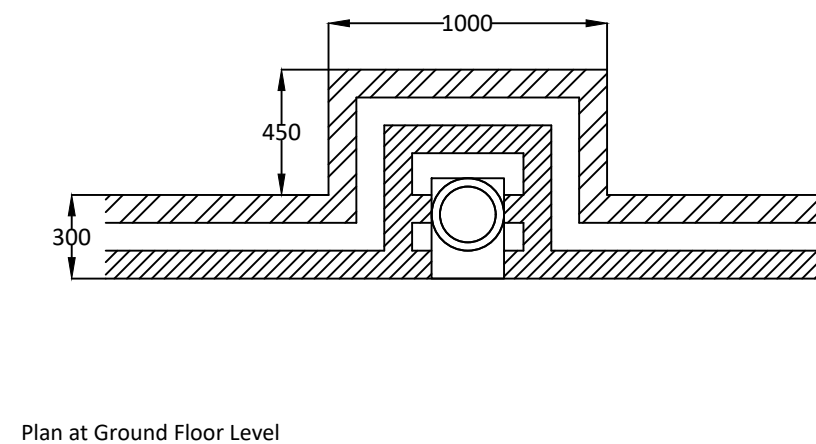
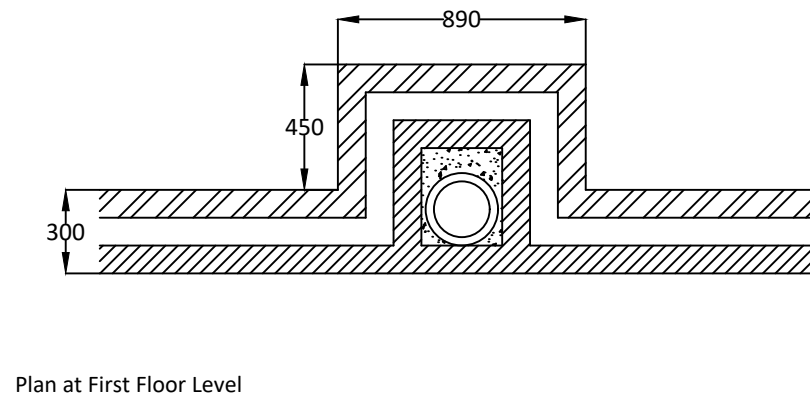
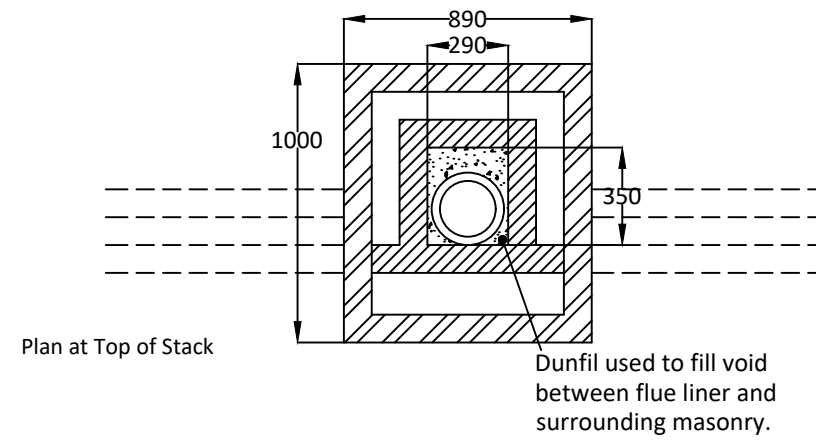
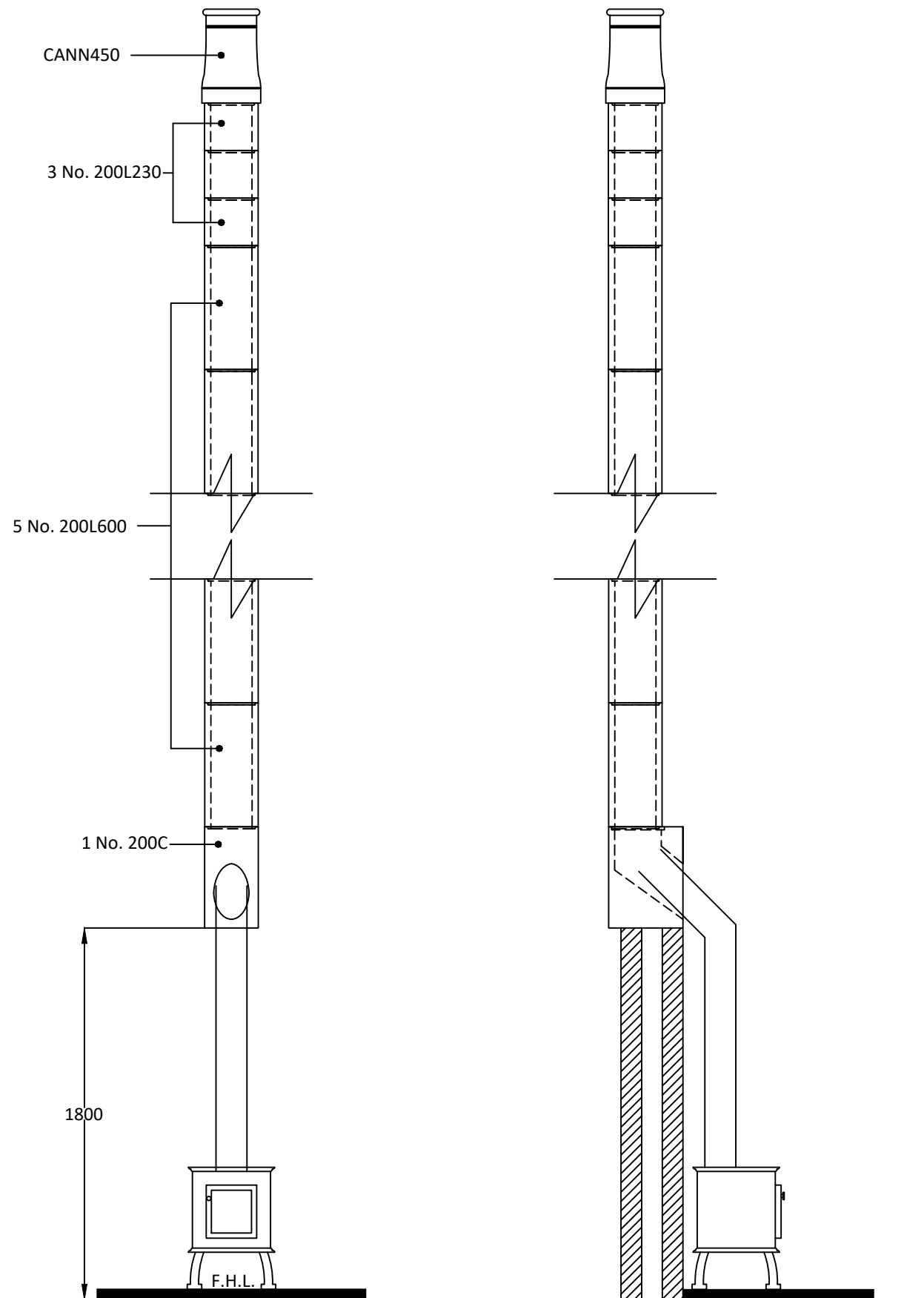
Dunbrik flues

Typical 200mm I.D. straight flue liner system for free standing stove appliance.

Date: October 2021

Telephone: 01924 373694 Email: tech@dunbrik.co.uk Web: www.dunbrik.co.uk

Ref: **DUN-19-6M**



Notes

Chimney Height from FFL to underside of chimney pot.

Please have your architect check this estimate to your drawings to ensure it meets both your requirements and current building regulations, british standards and codes of practice.

Dunbrik A1 Concrete Flue Liner System to BS EN 1857

**ALL DIMENSIONS ARE SHOWN IN MILLIMETRES
NOT TO SCALE**

Costing for: **Typical System Price**
House type House with 200mm I.D. Flue.
Customer ref. Chimney height 5980mm.
Site
Plot number

Costing ref **SJ DUN-19-6M**
Date 27 July 2021
By SJ
Price list October 2021

Components	Product code	Qty	Prices each	Cost £
Boiler/stove connection block at 45deg	200C	1	148.79	148.79
200mm flue liner 600mm tall	200L600	5	18.74	93.70
200mm flue liner 230mm tall	200L230	3	11.21	33.63
Flue liner sealant 310ml	Dunseal	3	6.68	20.04
Infill aggregate 22kg mix for void	Dunfil	9	13.92	125.28
Cannon pot 450mm tall red	Cann450R	1	50.90	50.90
Topguard birdguard cowl 260 tall red	TG260R	1	101.36	101.36
Smoke pellet tube	Smoke	1	11.34	11.34
Flue notice plate	Plate	1	7.73	7.73
310ml Skeleton Gun	Sealgun	1	6.40	6.40
Red polypropylene air brick 220mm x 72mm	REDG930	2	0.92	1.84
High impact styrene black cavity sleeve 218mm x 72mm	CSG935	2	5.03	10.06

For UK mainland up to 300 miles, orders over £1,700 goods value are delivered free
Charge for individually plotting multiple flue orders is £30 per flue.
* For collection orders add collection charge of £15 plus VAT

Cost ex-works *	611.07
Delivery charge	95.00
Goods	£ 706.07
VAT @ 20%	£ 141.21
Total	£ 847.28

Prices shown are based on the Dunbrik ex-works trade price list of October 2021 and are valid for 30 days.
Prices are subject to VAT. All trading is subject to our standard conditions of sale (copy available).

Notes

This flue costing is based on information provided. Please have your architect check the costing to your drawings prior to ordering. to ensure that it meets with your requirements. Please also check the pot/terminal style and colour.
For construction guidance refer to the flue illustration and the installation guide available by post, fax or website.

Please ensure that the flue and chimney are constructed in accordance with Building regulations part J

