

Dunbrik flues

Sample 300mm I.S. flue liner system for open fire with offset.

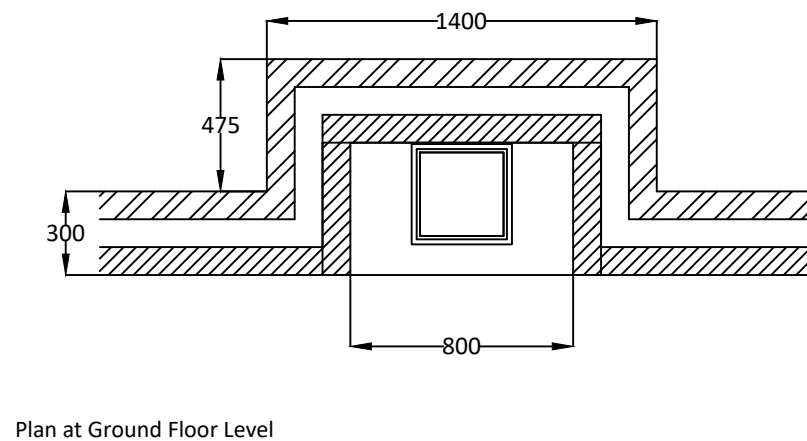
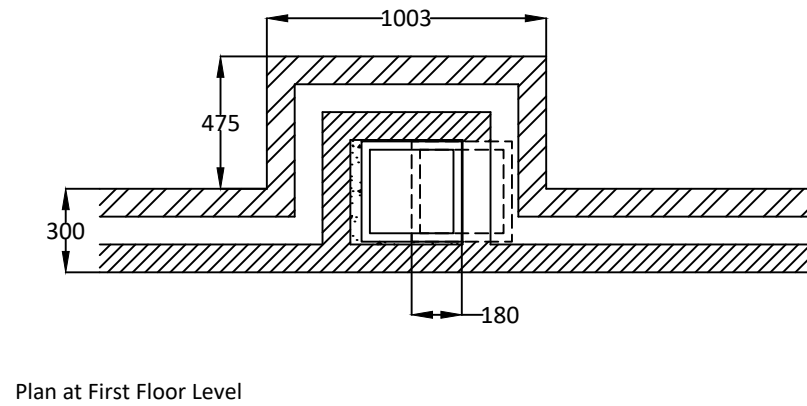
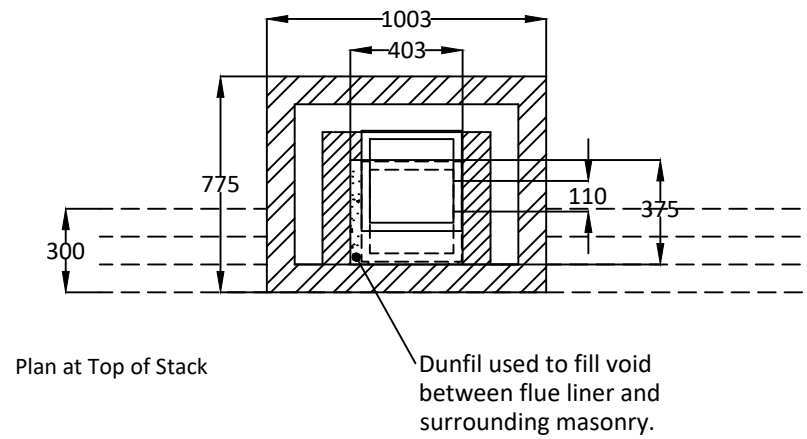
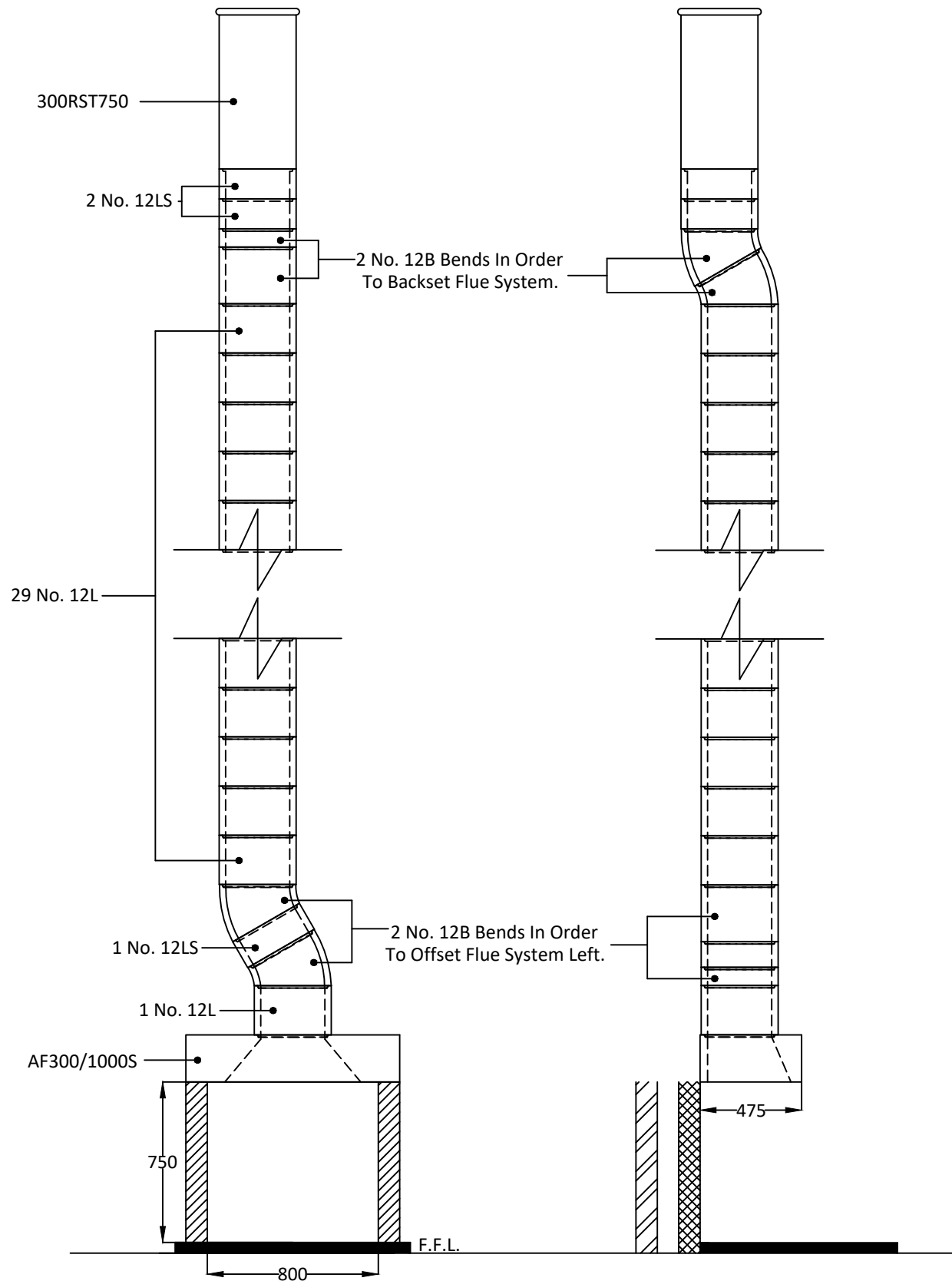
Date: August 2020

Telephone: 01924 373694 Email: tech@dunbrik.co.uk Web: www.dunbrik.co.uk

Ref: **DUN-12-9M**

Notes

Chimney Height of 9040mm from FFL to underside of chimney pot.



Dunbrik A1 Concrete Flue Liner System to BS EN 1857

Please have your architect check this estimate to your drawings to ensure it meets both your requirements and current building regulations, british standards and codes of practice.

**ALL DIMENSIONS ARE SHOWN IN MILLIMETRES
NOT TO SCALE**

Costing for: **SAMPLE COSTING**

House type 300mm I.S. flue system for open fire with offset.

Customer ref. Chimney height 9040mm from ffl to u/s pot, With offsets 180mm & 110mm

Site

Plot number

Costing ref

SJ DUN-12-9M

Date

20 August 2021

By

SJ

Price list

October 2021

Components

	Product code	Qty	Prices each	Cost £
Throat lintel/gather unit 1000mm wide	AF300/1000S	1	108.29	108.29
300mm flue bend 30 degrees	12B	4	52.48	209.92
300mm flue liner 230mm tall	12L	30	28.60	858.00
300mm flue liner 140mm tall	12LS	3	17.71	53.13
Flue liner sealant 310ml	Dunseal	19	6.68	126.92
Infill aggregate 22kg mix for void	Dunfil	19	13.92	264.48
300mm straight 750mm pot red	300RST750R	1	222.65	222.65
Topguard birdguard cowl 350 id red	TG350R	1	155.06	155.06
Smoke pellet tube	Smoke	1	11.34	11.34
Flue notice plate	Plate	1	7.73	7.73
310ml Skeleton Gun	Sealgun	1	6.40	6.40
Red polypropylene air brick 220mm x 72mm	REDG930	7	0.92	6.44
High impact styrene black cavity sleeve 218mm x 72mm	CSG935	7	5.03	35.21

For UK mainland up to 300 miles, orders over £1,700 goods value are delivered free

Charge for individually plotting multiple flue orders is £30 per flue.

* For collection orders add collection charge of £15 plus VAT

Cost ex-works *	2065.57
Delivery charge	95.00
Goods	£ 2,160.57
VAT @ 20%	432.11
Total	£ 2,592.68

Prices shown are based on the Dunbrik ex-works trade price list of October 2021 and are valid for 30 days.

Prices are subject to VAT. All trading is subject to our standard conditions of sale (copy available).

Notes

This flue costing is based on information provided. Please have your architect check the costing to your drawings prior to ordering.

to ensure that it meets with your requirements. Please also check the pot/terminal style and colour.

For construction guidance refer to the flue illustration and the installation guide available by post, fax or website.

Please ensure that the flue and chimney are constructed in accordance with Building regulations part J

The checklist is based on Building Regulations ADJ Appendix A. with Dunbrik flue liner system data. The builder/installer should insert details of the actual fireplace opening sizes, actual ventilation installed and any variations to the usual data.

For	SAMPLE COSTING	Costing ref	SJ DUN-12-9M
Site at		Plot number	
System	Dunbrik 300mm sq. A1 concrete flue liners	House type	300mm I.S. flue system for open fire with offset.
Date	20 Aug 2021	Customer ref.	Chimney height 9040mm from ffl to u/s pot, With offsets 180mm & 110mm

Checklist for hearths, fireplaces, flues and chimneys

This checklist can help you to ensure hearths, fireplaces, flues and chimneys are satisfactory. If you have been directly engaged, copies should also be offered to the client and to the Building Control body to show what you have done to comply with the requirements of part J. If you are a sub-contractor, a copy should be offered to the main contractor.

Items listed in ADJ Appendix A	Details for builder to complete or amend	
1 Building address, where work has been carried out		Amend
2 Identification of hearth, fireplace, chimney or flue.	Fireplace in lounge	
3 Firing capability: solid fuel/gas/oil/all	All	
4 Intended type of appliance. State type or make. If open fire give finished fireplace opening dimensions.	For gas fire or solid fuel fire 600,000 sq.mm maximum	
5 Ventilation provisions for the appliance State type and area of permanently open air vents	Through wall ventilation 45,000 sq mm minimum	
6 Chimney or flue construction a) State the type or make and whether new or existing. b) Internal flue size (and equivalent flue height, where calculated natural draught gas appliances only). c) If liners are used confirm they are correctly jointed in accordance with manufacturers instructions and state jointing materials used. d) If an existing chimney has been refurbished with a new liner, type or make of liner fitted. e) Details of flue outlet terminal Outlet detail Complies with: f) Number and angle of bends. g) Provision for cleaning and recommended frequency.	New masonry chimney with: Dunbrik A1 concrete flue liners to BSEN1857 300mm internal square Tongue downwards into rebate and joined with Dunseal fireproof mortar 300mm straight 750mm pot BSEN13502:2002 4 bends ref 12B at 30 degrees Annually via fireplace opening	
7 Hearth. Form of construction. New or existing	New As diagram 25 in ADJ	
8 Inspection and testing after completion Test (Appendix E in AD J 2002) and results Flue inspection results Visual Sweeping Coring ball Smoke Spillage Appliance (where included)	Tests carried out by:	

I/We the undersigned confirm that the above details are correct. In my opinion, these works comply with the relevant requirements in Part J of Schedule 1 to the Building Regulations.

Print name & title	_____	Profession	_____
Capacity	_____	Tel no	_____
Address	_____	Postcode	_____
Signed	_____	Date	_____
Registered membership of (e.g. Gas Safety, OFTEC, HETAS, NACE, NACS)			