

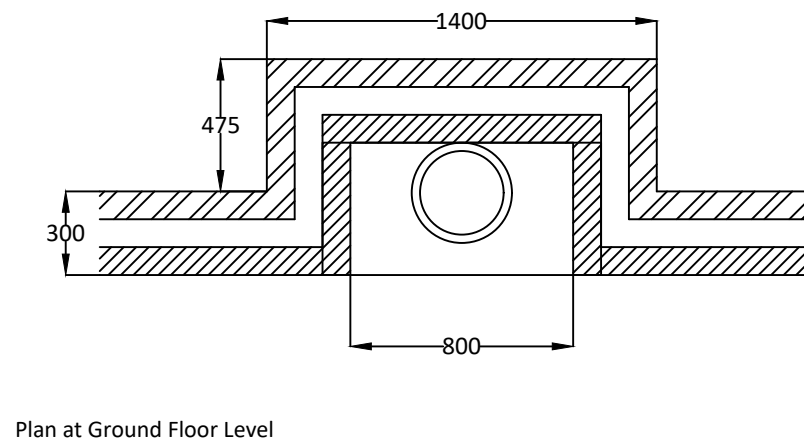
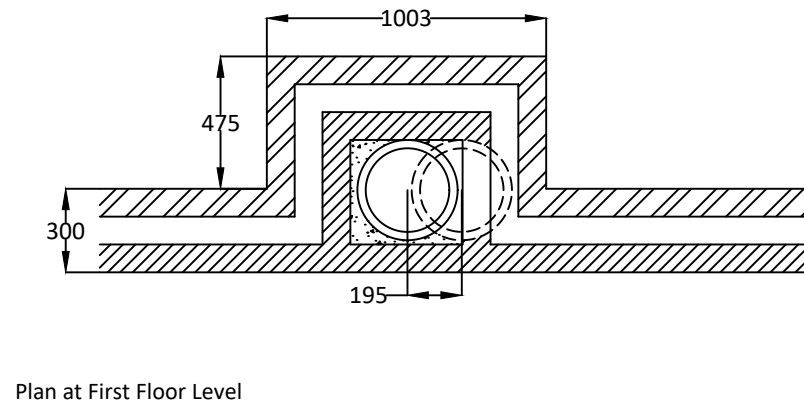
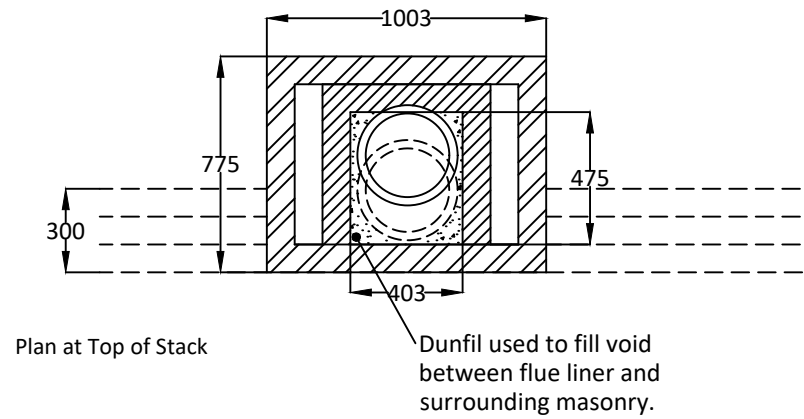
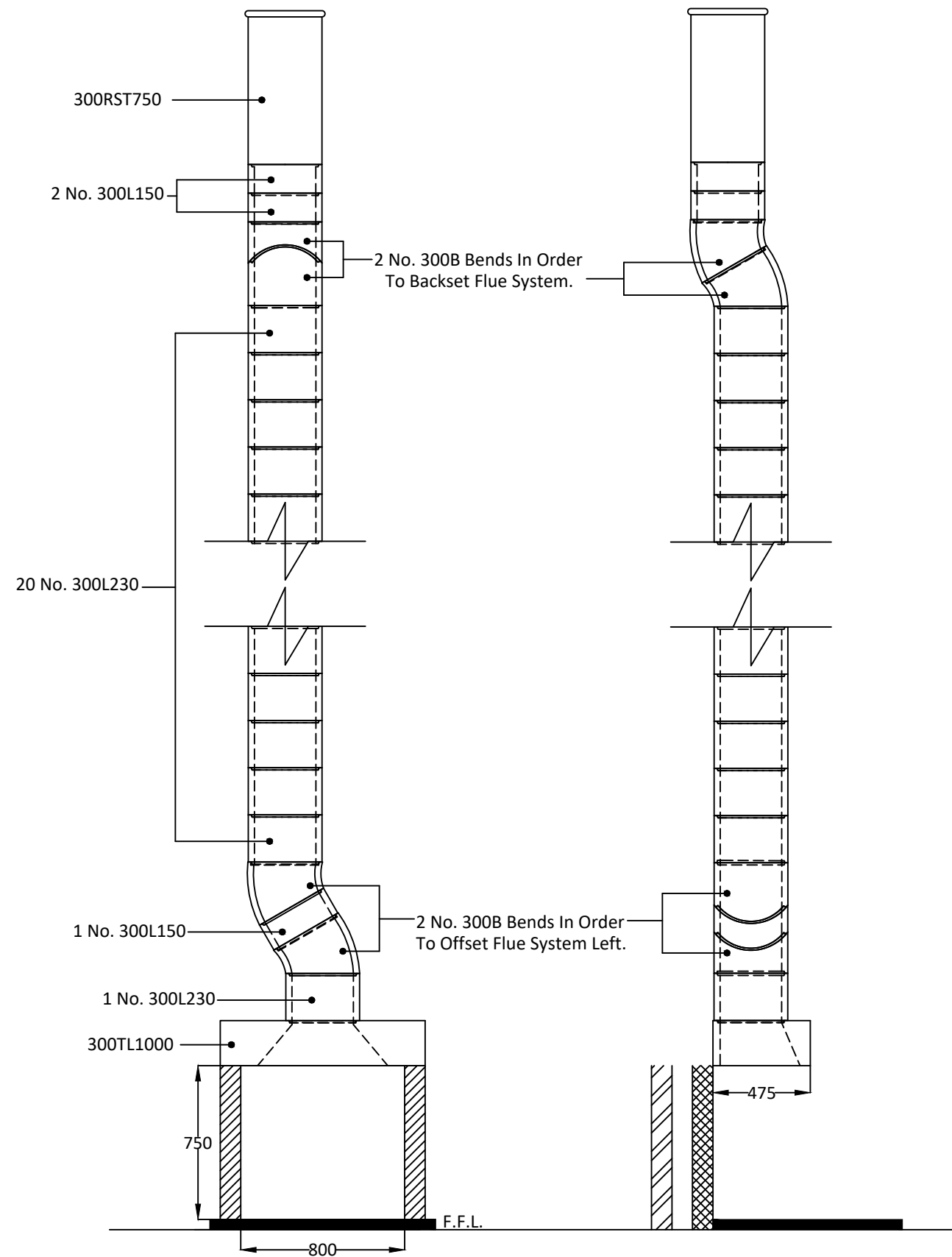
Dunbrik flues

Sample 300mm I.D. flue liner system for open with offset.

Date: August 2020

Telephone: 01924 373694 Email: tech@dunbrik.co.uk Web: www.dunbrik.co.uk

Ref: **DUN-09-7M**



Notes

Chimney Height of 7120mm from FFL to underside of chimney pot.

Please have your architect check this estimate to your drawings to ensure it meets both your requirements and current building regulations, british standards and codes of practice.

Dunbrik A1 Concrete Flue Liner System to BS EN 1857

**ALL DIMENSIONS ARE SHOWN IN MILLIMETRES
NOT TO SCALE**

Costing for: **SAMPLE COSTING**
300mm I.D. flue system for open fire with offset.
Chimney height 7120mm from ffl to u/s pot

Costing ref **DUN-09-7M**
Date 01 August 2020
By SJ
Price list July 2019

Components	Product code	Qty	Prices each	Cost £
Throat lintel/gather unit 1000mm wide	300TL1000	1	103.13	103.13
300mm flue liner bend at 30 degrees	300B	4	47.58	190.32
300mm flue liner 230mm tall	300L230	21	25.96	545.16
300mm flue liner 150mm tall	300L150	3	16.09	48.27
Flue liner sealant 310ml	Dunseal	14	6.36	89.04
Infill aggregate 22kg mix for void	Dunfil	33	13.26	437.58
300mm straight 750mm pot red	300RST750R	1	212.05	212.05
Topguard birdguard cowl 350 id red	TG350R	1	147.68	147.68
Smoke pellet tube	Smoke	1	10.80	10.80
Flue notice plate	Plate	1	7.36	7.36
Red polypropylene air brick 220mm x 72mm	REDG930	6	0.88	5.28
High impact styrene black cavity sleeve 218mm x 72mm	CSG935	6	4.79	28.74

Cost ex-works *	1825.41
Delivery charge	95.00
Goods	£ 1,920.41
VAT @ 20%	384.08
Total	£ 2,304.49

For UK mainland up to 300 miles, orders over £1,700 goods value are delivered free
Charge for individually plotting multiple flue orders is £30 per flue.
* For collection orders add collection charge of £15 plus VAT

Prices shown are based on the Dunbrik ex-works trade price list of July 2019 and are valid for 30 days.
Prices are subject to VAT. All trading is subject to our standard conditions of sale (copy available).

Notes

This flue costing is based on information provided. Please have your architect check the costing to your drawings prior to ordering to ensure that it meets with your requirements. Please also check the pot/terminal style and colour.
For construction guidance refer to the flue illustration and the installation guide available by post, fax or website.

Please ensure that the flue and chimney are constructed in accordance with Building regulations part J

