

# Dunbrik flues

Sample 250mm I.S. flue liner system for open fire with offset.

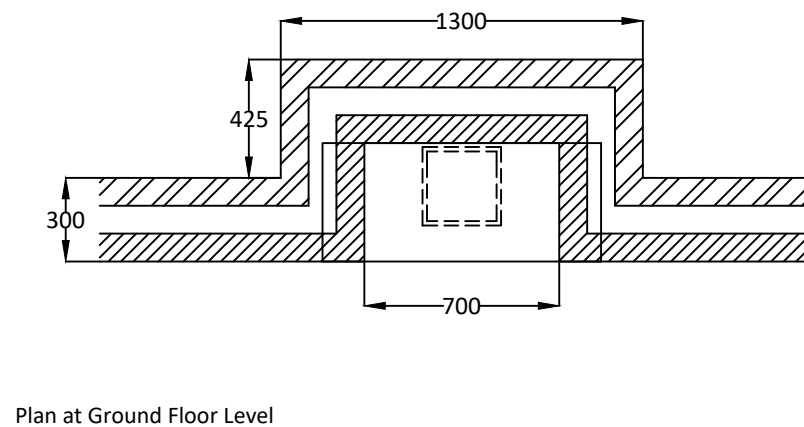
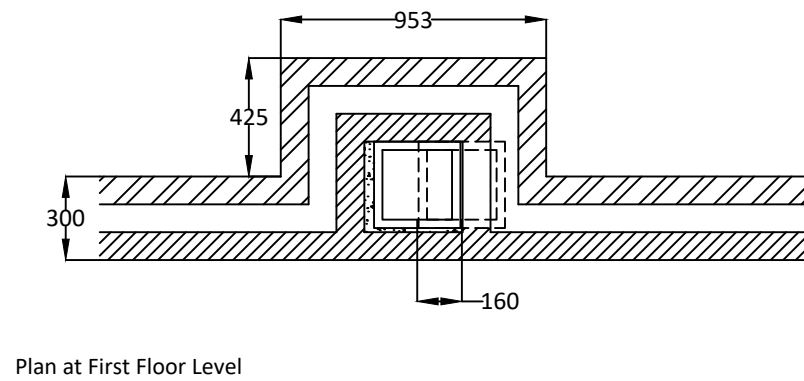
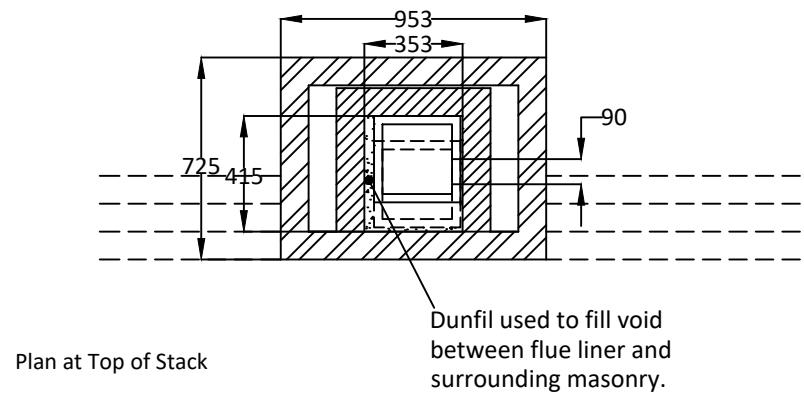
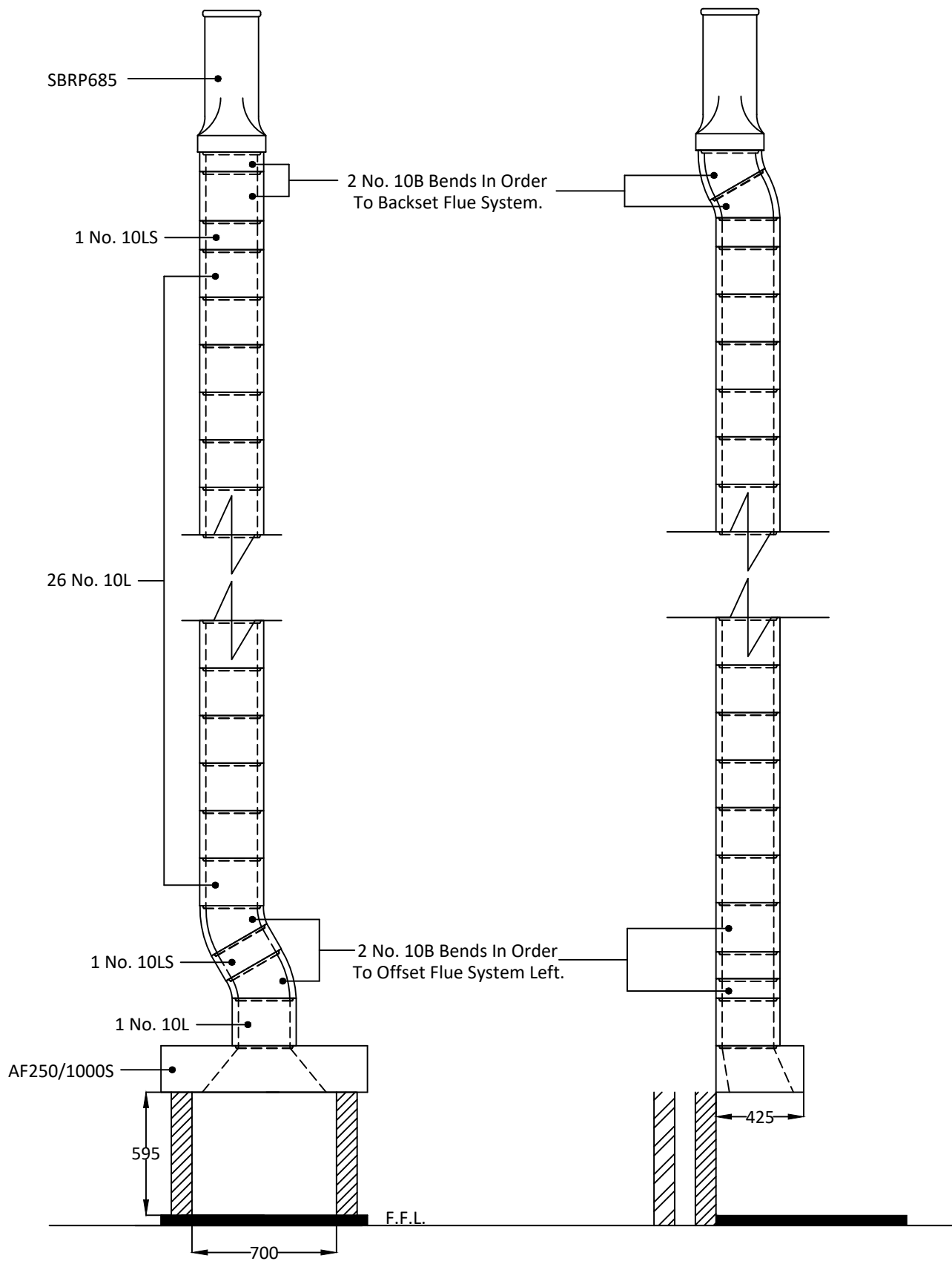
Date: August 2020

Ref: **DUN-06-8M**

Telephone: 01924 373694 Email: tech@dunbrik.co.uk Web: www.dunbrik.co.uk

## Notes

Chimney Height from FFL to underside of chimney pot.



Dunbrik A1 Concrete Flue Liner System to BS EN 1857

Please have your architect check this estimate to your drawings to ensure it meets both your requirements and current building regulations, british standards and codes of practice.

**ALL DIMENSIONS ARE SHOWN IN MILLIMETRES NOT TO SCALE**

Costing for: **SAMPLE COSTING**  
House with 250mm I.S. Flue.  
Chimney height 7995mm, Offset 160mm, 90mm.

Costing ref **DUN-06-8M**  
Date 07 August 2020  
By SJ  
Price list July 2019

Components	Product code	Qty	Prices each	Cost £
Throat lintel/gather unit 1000mm wide	AF250/1000S	1	103.13	103.13
250mm flue bend 30 degrees	10B	4	27.21	108.84
250mm flue liner 230mm tall	10L	27	14.37	387.99
250mm flue liner 140mm tall	10LS	2	8.67	17.34
Flue liner sealant 310ml	Dunseal	17	6.36	108.12
Infill aggregate 22kg mix for void	Dunfil	21	13.26	278.46
Square based round pot red	SBRP685R	1	126.90	126.90
Topguard birdguard cowl 260 tall red	TG260R	1	96.53	96.53
Smoke pellet tube	Smoke	1	10.80	10.80
Flue notice plate	Plate	1	7.36	7.36
Red polypropylene air brick 220mm x 72mm	REDG930	5	0.88	4.40
High impact styrene black cavity sleeve 218mm x 72mm	CSG935	5	4.79	23.95

Cost ex-works *	<b>1273.82</b>
Delivery charge	<b>95.00</b>
Goods	<b>£ 1,368.82</b>
VAT @ 20%	<b>273.76</b>
<b>Total</b>	<b>£ 1,642.58</b>

For UK mainland up to 300 miles, orders over £1,700 goods value are delivered free

Charge for individually plotting multiple flue orders is £30 per flue.

\* For collection orders add collection charge of £15 plus VAT

Prices shown are based on the Dunbrik ex-works trade price list of July 2019 and are valid for 30 days.

Prices are subject to VAT. All trading is subject to our standard conditions of sale (copy available).

**Notes**

This flue costing is based on information provided. Please have your architect check the costing to your drawings prior to ordering to ensure that it meets with your requirements. Please also check the pot/terminal style and colour.  
For construction guidance refer to the flue illustration and the installation guide available by post, fax or website.

Please ensure that the flue and chimney are constructed in accordance with Building regulations part J

H\Y\W\W\ghlg\UgYXcb'6i |X|b| F Y| i Uhcjg'58> 5ddYbXl 5" k|h '8i bVl 'Zi Y' |bYf gng|Ya 'XLU' H\Y\Vi |Xf#b|U'Yf 'g'ci 'X|bgYfhXYU|g'cZhY'UMi U'ZfYd'UW'cdYb|b| 'glnYgz'UMi U'j Ybl|Ujcb |bgfU'YX'UbX'Ubnj U|Uhcjg'le 'h'Y'i gi U'XLU'

cf	<b>SAMPLE COSTING</b>	7c gh  fYZ	<b>DUN-06-8M</b>
G Y'U		D'chibi a VVf	
Gng Ya	<b>Dunbrik 250mm sq. A1 concrete flue liners</b>	<ci gY'ndY	<b>House with 250mm I.S. Flue.</b>
8UY	<b>13 Aug 2020</b>	7i g ca Yf fYZ	<b>Chimney height 7995mm, Offset 160mm, 90mm.</b>

**Checklist for hearths, fireplaces, flues and chimneys**

H\lg\W\W\|gh|Wb\Y'd'nri 'le Ybgi fY\Ufh.gzZfYd'UWgzZi Yg'UbX'W|a bYng'UfY'gUhgZUMiefrn'-Znri '\Uj YVYyb X|fY'WiniYb| U| YX' Wd|Yg'g'ci 'X'Ugc 'VY'cZfYX'le 'h'Y'W|Yb|Ubx'le 'h'Y'6i |X|b| '7 cblie 'VcXnre 'g'ck k\Uinri '\Uj Y'XcbY'le 'Wa d'nk |h' 'h'Y'fYei |fYa Yblg'cZdUfh>'-'Znri 'UfY'U'g| V'Wb|U'U'fZ'U'W'dng\ci 'XVY'cZfYX'le 'h'Y'a U|b'Wb|U'U'f'

<b>Items listed in ADJ Appendix A</b>	<b>Details for builder to complete or amend</b>
---------------------------------------	-------------------------------------------------

1 6i |X|b| UXXfYggzk\YfY'kcf\_ \Ug VYyb Wff|YX'ci h

			5a YbX
--	--	--	--------

2 ÆYb|Z|W|cb'cZ\YUfh'zZfYd'UWzW|a bYn'cf'Zi Y'

**Fireplace in lounge**

3 : |f|b| 'WdU| |Imig'c |XZ Y# Ug'e|'fU'

**All**

4 -hYbXYX'ndY'cZUdd'U'W'W'GHUY'ndY'cf'a U\_Y' -ZcdYb ZfY| j YZ|g|YXZfYd'UW'cdYb|b| 'X|a Ybg|cbg'

**For gas fire or solid fuel fire  
416,700 sq.mm maximum**

5 JYb|U'hc'b'f'c|j |g|cbg'Zf'h'Y'Udd'U'W'W'GHUY'ndY'UbX'UfY'cZdYfa UbYb|n'ic'dYb U|f'j Yb|g|

**Through wall ventilation  
31,200 sq mm minimum**

6 7\ja bYn'cf'Zi Y'W'bg|fi W|cb U' GHUY'h'Y'ndY'cf'a U\_Y'UbX'k\Yh'Yf'bYk 'cf'Y| |gh|b| " V\ -b|YfbU'Zi Y'g|n'Y'f|bX'Yei |j UYb|Zi Y'\Y| |'Zk\YfY' W'W'U'YX'bU'h fU'X'U | '\h| Ug'Udd'U'W'W'g'cb'nd' W\ -Z|bYf'g'UY'i gYX'W'ebZ'fa 'h'Y'm|U'Y'W'ffY'Wini'c' |b|h'X |b'U'W'W'fX'UbW'k |h' 'a Ubi ZUMi fYf'g|bg|fi W|cbg'UbX ghUY'c' |b|b| 'a UYf|U'g'i gYX' X\ -ZUb'Y| |gh|b| 'W|a bYn'U'g'VYyb'fYZ |Vg'YX'k |h' U bYk ' |bYfZ'ndY'cf'a U\_Y'cZ' |bYf'Z'HX' Y\ 8YU|g'cZ'Zi Y'ci hYh|Yfa |bU Ci hYhXYU|' 7ca d|Yg'k |h|. Z. Bi a VVf'UbX'Ub| 'Y'cZVYbXg'

**New masonry chimney with:  
Dunbrik A1 concrete flue liners to BSEN1857  
250mm internal square**

**Tongue downwards into rebate  
and joined with Dunseal fireproof mortar**

**Square based round pot  
BSEN13502:2002  
4 bends ref 10B at 30 degrees**

[L Dfcj |g|cb'Zf'W'Ub|b| UbX'fY'Wa a YbXYX'Z'Yei YbW'h

**Annually via fireplace opening**

7 <YUfh'": cfa 'cZ'W'bg|fi W|cb'"BYk 'cf'Y| |gh|b|

**New  
As diagram 25 in ADJ**

8 -bgdYW|cb'UbX'Y'gh|b| 'U'Z'f'W'a d'Y|cb HYghf5ddYbXl '9' |b'58 '>' &SS&L'UbX'fYg| 'lg : i Y' |bgdYW|cb'fYg| 'lg J |g| U Gk Yd|b| 7cf|b| 'VU' Ga\_c\_Y Gd|'U| Y 5dd'U'W'W'fk\YfY' |bW'XYX|

H\Y'g|g' Wff|YX'ci hVr:

**I/We the undersigned confirm that the above details are correct. In my opinion, these works comply with the relevant requirements in Part J of Schedule 1 to the Building Regulations.**

D f b b Ua Y/  h Y	_____	DfcZ'gg cb	_____
7UdU Im	_____	HY'bc	_____
5XXfYgg	_____	Dcgh'WXY	_____
G   bYX	_____	8UY	_____
F Y   gh YX'a Ya VYf'g d'cZ'fk'  " : Ug'GUZ'nd'c: H97z<9H5GzB579zB57GL			