

Dunbrik flues

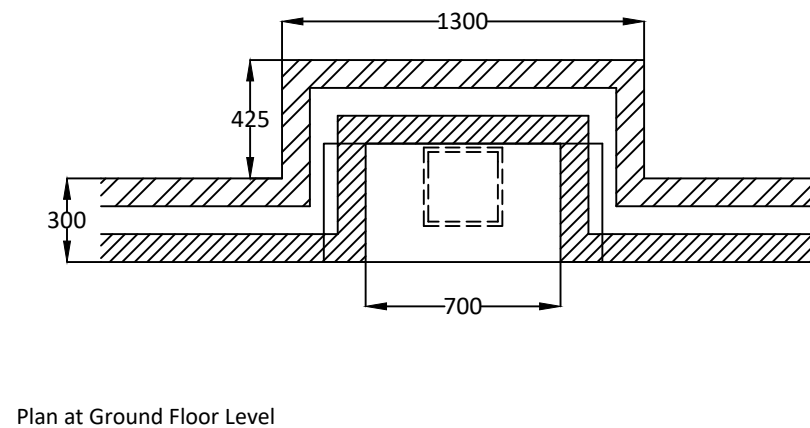
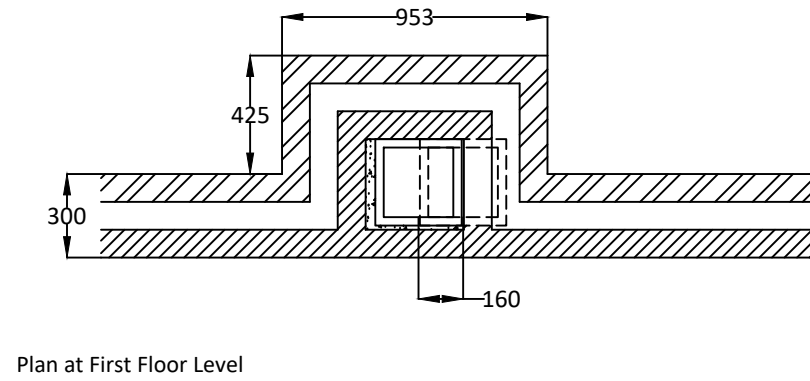
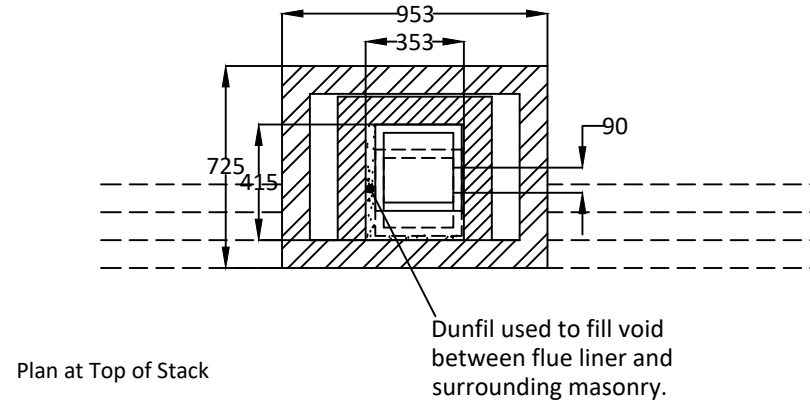
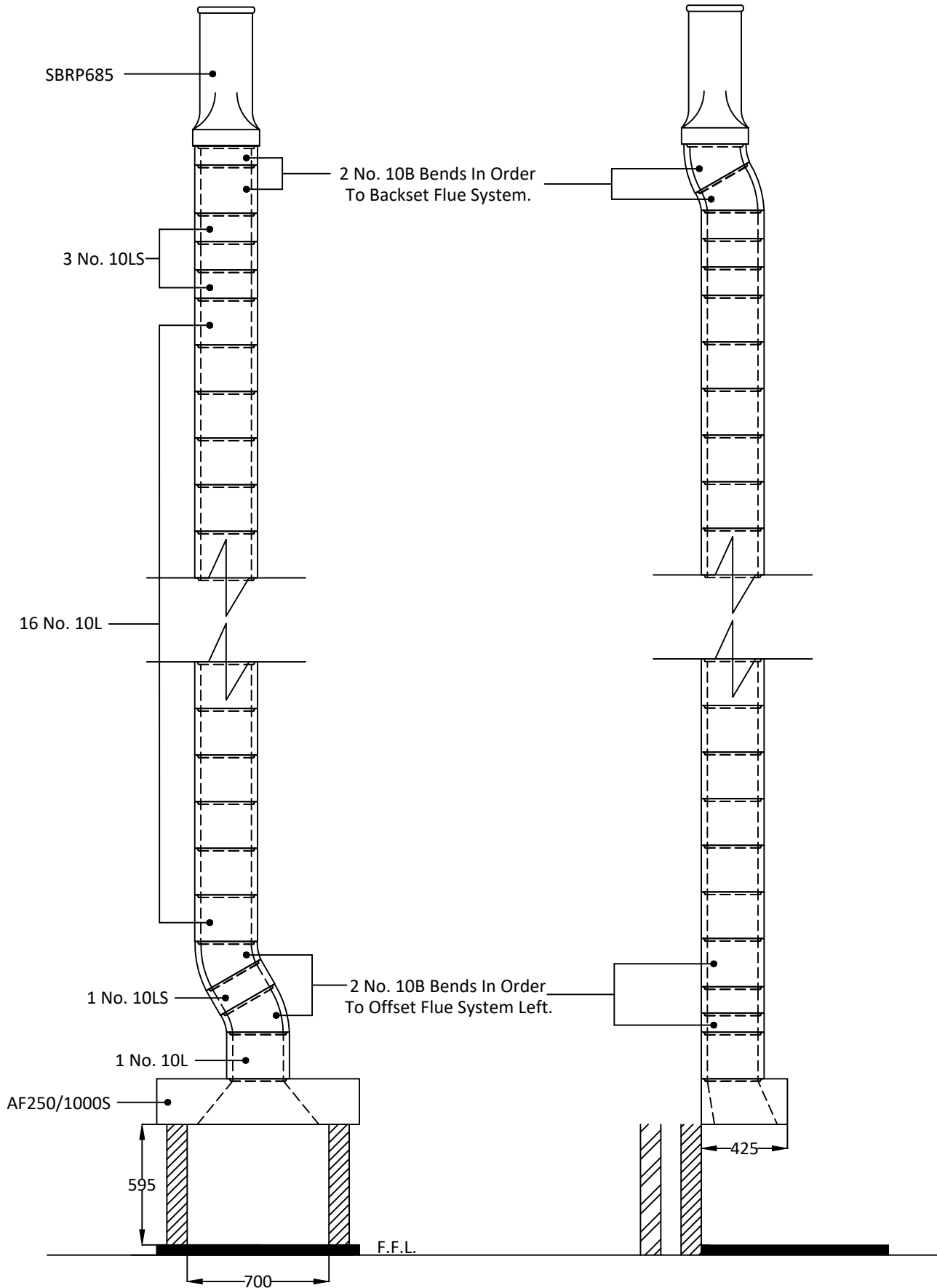
Typical 250mm I.S. flue liner system for open fire with offset.

Date: October 2021

Ref: **DUN-06-6M**

Telephone: 01924 373694 Email: tech@dunbrik.co.uk Web: www.dunbrik.co.uk

Notes



Dunbrik A1 Concrete Flue Liner System to BS EN 1857

Please have your architect check this estimate to your drawings to ensure it meets both your requirements and current building regulations, british standards and codes of practice.

ALL DIMENSIONS ARE SHOWN IN MILLIMETRES NOT TO SCALE

Costing for: **Typical System Price**
House type House with 250mm I.S. Flue.
Customer ref. Chimney height 5975mm, Offset 160mm, 90mm.
Site
Plot number

Costing ref **SJ DUN-06-6M**
Date 27 July 2021
By SJ
Price list October 2021

Components	Product code	Qty	Prices each	Cost £
Throat lintel/gather unit 1000mm wide	AF250/1000S	1	108.29	108.29
250mm flue bend 30 degrees	10B	4	28.57	114.28
250mm flue liner 230mm tall	10L	17	15.09	256.53
250mm flue liner 140mm tall	10LS	4	9.10	36.40
Flue liner sealant 310ml	Dunseal	13	6.68	86.84
Infill aggregate 22kg mix for void	Dunfil	19	13.92	264.48
Square based round pot red	SBRP685R	1	133.25	133.25
Topguard birdguard cowl 260 tall red	TG260R	1	101.36	101.36
Smoke pellet tube	Smoke	1	11.34	11.34
Flue notice plate	Plate	1	7.73	7.73
310ml Skeleton Gun	Sealgun	1	6.40	6.40
Red polypropylene air brick 220mm x 72mm	REDG930	5	0.92	4.60
High impact styrene black cavity sleeve 218mm x 72mm	CSG935	5	5.03	25.15

For UK mainland up to 300 miles, orders over £1,700 goods value are delivered free
Charge for individually plotting multiple flue orders is £30 per flue.
* For collection orders add collection charge of £15 plus VAT

Cost ex-works *	1156.65
Delivery charge	95.00
Goods	£ 1,251.65
VAT @ 20%	250.33
Total	£ 1,501.98

Prices shown are based on the Dunbrik ex-works trade price list of October 2021 and are valid for 30 days.
Prices are subject to VAT. All trading is subject to our standard conditions of sale (copy available).

Notes

This flue costing is based on information provided. Please have your architect check the costing to your drawings prior to ordering. to ensure that it meets with your requirements. Please also check the pot/terminal style and colour.
For construction guidance refer to the flue illustration and the installation guide available by post, fax or website.

Please ensure that the flue and chimney are constructed in accordance with Building regulations part J

