

# Dunbrik flues

Sample 250mm I.S. flue liner system for open fire with offset.

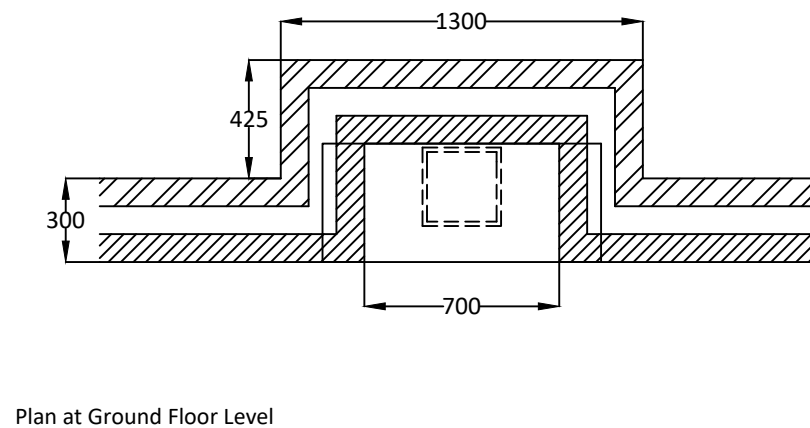
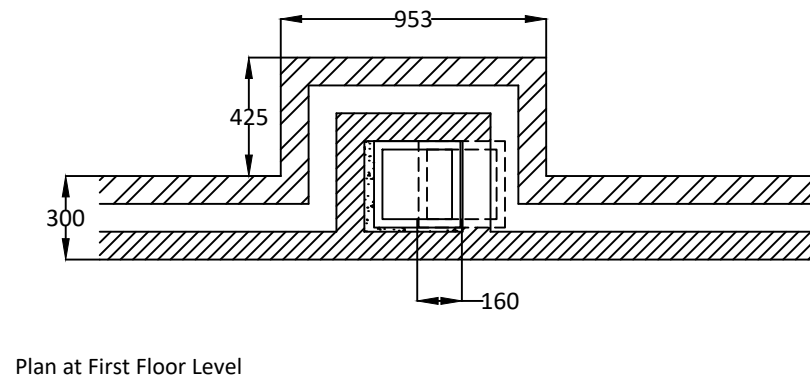
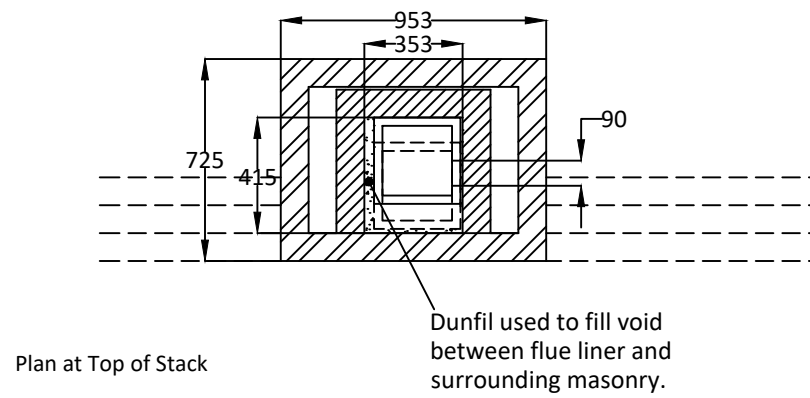
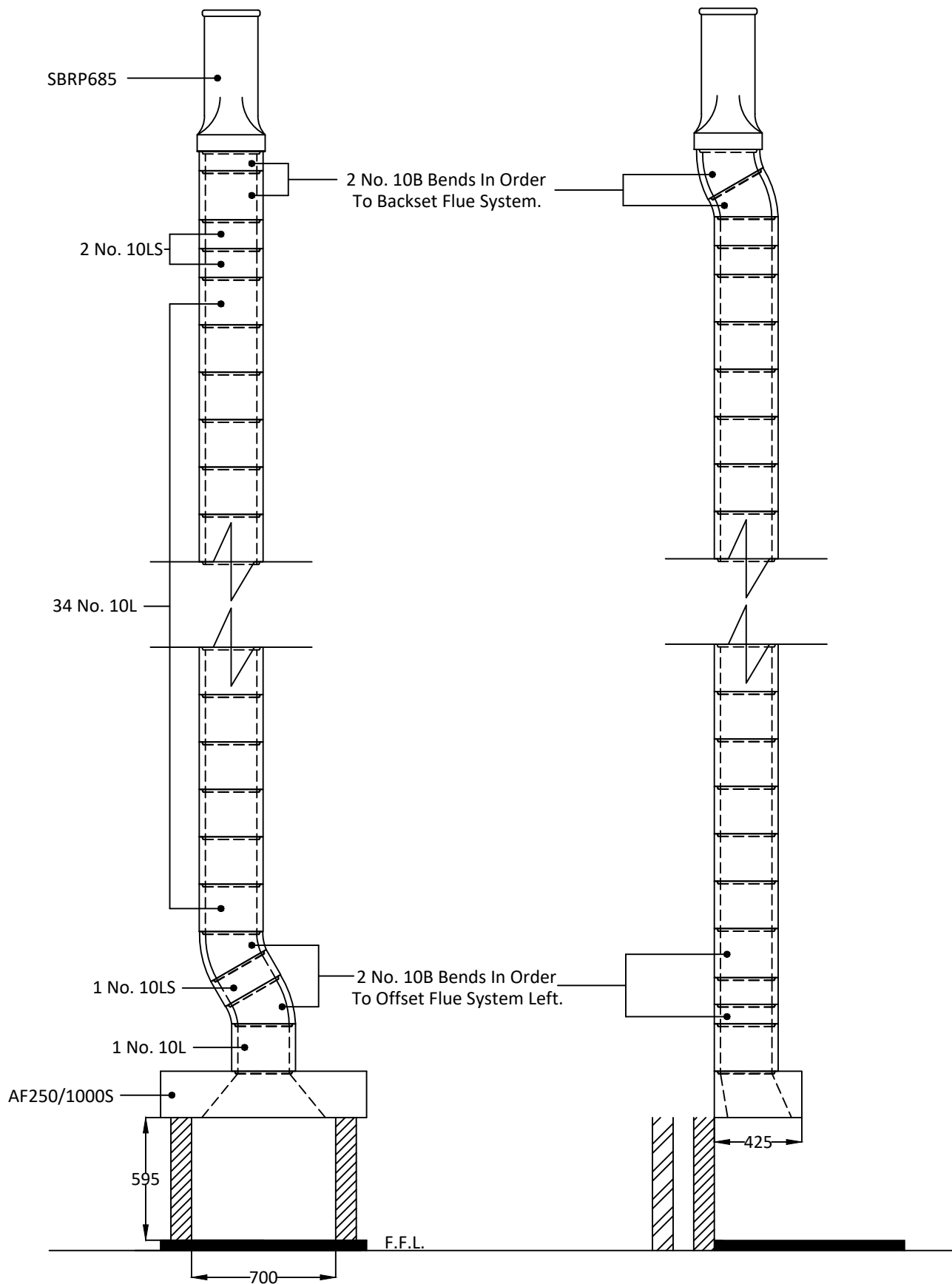
Date: August 2020

Ref: **DUN-06-10M**

Telephone: 01924 373694 Email: tech@dunbrik.co.uk Web: www.dunbrik.co.uk

## Notes

Chimney Height from FFL to underside of chimney pot.



Dunbrik A1 Concrete Flue Liner System to BS EN 1857

Please have your architect check this estimate to your drawings to ensure it meets both your requirements and current building regulations, british standards and codes of practice.

**ALL DIMENSIONS ARE SHOWN IN MILLIMETRES NOT TO SCALE**

Costing for: **SAMPLE COSTING**  
House with 250mm I.S. Flue.  
Chimney height 9975mm, Offset 160mm, 90mm.

Costing ref **DUN-06-10M**  
Date 10 August 2020  
By SJ  
Price list July 2019

| Components   | Product code | Qty | Prices each | Cost £ |
|--|--------------|-----|-------------|--------|
| Throat lintel/gather unit 1000mm wide                | AF250/1000S  | 1   | 103.13      | 103.13 |
| 250mm flue bend 30 degrees                           | 10B          | 4   | 27.21       | 108.84 |
| 250mm flue liner 230mm tall                          | 10L          | 35  | 14.37       | 502.95 |
| 250mm flue liner 140mm tall                          | 10LS         | 3   | 8.67        | 26.01  |
| Flue liner sealant 310ml                             | Dunseal      | 21  | 6.36        | 133.56 |
| Infill aggregate 22kg mix for void                   | Dunfil       | 23  | 13.26       | 304.98 |
| Square based round pot red                           | SBRP685R     | 1   | 126.90      | 126.90 |
| Topguard birdguard cowl 260 tall red                 | TG260R       | 1   | 96.53       | 96.53  |
| Smoke pellet tube                                    | Smoke        | 1   | 10.80       | 10.80  |
| Flue notice plate                                    | Plate        | 1   | 7.36        | 7.36   |
| Red polypropylene air brick 220mm x 72mm             | REDG930      | 5   | 0.88        | 4.40   |
| High impact styrene black cavity sleeve 218mm x 72mm | CSG935       | 5   | 4.79        | 23.95  |

|                 |                   |
|-----------------|-------------------|
| Cost ex-works * | <b>1449.41</b>    |
| Delivery charge | <b>95.00</b>      |
| Goods           | <b>£ 1,544.41</b> |
| VAT @ 20%       | <b>308.88</b>     |
| Total           | <b>£ 1,853.29</b> |

For UK mainland up to 300 miles, orders over £1,700 goods value are delivered free

Charge for individually plotting multiple flue orders is £30 per flue.

\* For collection orders add collection charge of £15 plus VAT

Prices shown are based on the Dunbrik ex-works trade price list of July 2019 and are valid for 30 days.

Prices are subject to VAT. All trading is subject to our standard conditions of sale (copy available).

**Notes**

This flue costing is based on information provided. Please have your architect check the costing to your drawings prior to ordering to ensure that it meets with your requirements. Please also check the pot/terminal style and colour.

For construction guidance refer to the flue illustration and the installation guide available by post, fax or website.

Please ensure that the flue and chimney are constructed in accordance with Building regulations part J

HAYWYW]ghlgVUgYXcb'6i ]X]b[ F Y] i UHcbg'58>5ddYbX]l '5" k ]h '8i bV]L Zi Y' ]bYf'gnghYa XHU' HAYVi ]XYf#bgU'Yf 'g'ci X] ]bgYfhXYHU]g'cZhYUUm U'ZFYdUW'cdYb]b[ 'g]hYgZUMi U'j Yb]Uhc b ]bgU'YXUbX'Ubnj U]U]hc b]g'ic h Y'i gi U'XHU'

|        |   |                |                                    |
|--------|---|----------------|------------------------------------|
| cf     | <b>SAMPLE COSTING</b>                           | 7cgh]b[ 'fYZ   | <b>DUN-07-10M</b>                  |
| G]HYU  |   | D'chibi a VYf  |                                    |
| Gng]Ya | <b>Dunbrik 300mm id A1 concrete flue liners</b> | < ci gY'hdY    | <b>House with 300mm I.D. Flue.</b> |
| 8UHY   | <b>13 Aug 2020</b>                              | 7i g]ta Yf'fYZ | <b>Chimney height 9975mm.</b>      |

**Checklist for hearths, fireplaces, flues and chimneys**

Hlg'WYW]ghWb\Yd'nai 'ic Ybgi fY\YUfh'gZFYdUW'gZi Yg'UbXW]a bYng'UFY'gUgZUMi'fmi-Znri \Uj Y'VYb X]fYWimYb[ U] YX' Wd]Yg'g'ci X'Ugc V'cZ'fYX'ic h Y'WYb]UbX'ic h Y'6i ]X]b[ '7cb]ic 'VcXn'ic'g'ck k \Uhinai \Uj Y'X'cbY'ic W'a d'rik ]h ' 'h Y'f'Yei ]fYa Ybg'cZdUf]h'>'Znri UFY'U'gi V]Wb]h'UMi'fZU'W'dm]g'ci X'VY'cZ'fYX'ic h Y'a U]b W'b]h'UMi'f'

|                                       |   |
|---------------------------------------|---|
| <b>Items listed in ADJ Appendix A</b> | <b>Details for builder to complete or amend</b> |
|---------------------------------------|---|

|  |  |        |
|--|--|--------|
| 1 6i ]X]b[ 'UXY'gZk\YfYkcf_\Ug'VYb W]f]YX'ci h   |  |        |
|  |  | 5a YbX |
| 2 -X]b]U]h]c b'cZ\YUfh'zZFYdUW'zW]a bYn'icf Zi Y'  | <b>Fireplace in lounge</b>   |        |
| 3 : ]f]b[ 'WdU] ]h]m]g' ]XZ Y# U]g#]#U'  | <b>All</b>   |        |
| 4 -b]YbXX'h]dY'cZUdd']UbW" GHU'Y'hdY'cf'a U_Y" -ZcdYb Z]Y' ]j Y'Z]b]g'YX'ZFYdUW'cdYb]b[ 'X]a Ybg]c b]g"  | <b>For gas fire or solid fuel fire</b><br><b>471,200 sq.mm maximum</b>   |        |
| 5 J Yb]U]h]c b'df'ej ]g]c b]g'Z'f'h Y'Udd']UbW GHU'Y'hdY'UbX'UFY'U'cZdYfa UbYb]h'ic dYb U]f]j Yb]g   | <b>Through wall ventilation</b><br><b>35,300 sq mm minimum</b>   |        |
| 6 7\ja bYn'icf Zi Y'W]b]g]fi W]c b U GHU'Y'hdY'hdY'cf'a U_Y'UbX'k \Yh Y'f'bYk 'cf'Y] ]g]b[ " V\ -b]h]f]bU' Zi Y'g]h'Y'f]UbX'Yei ]j UYb]h]Zi Y' \Y] ]\h]k \YfY W'W'U'h]X'bU]h' fU' X'fU ] \h] ]g'Udd']UbW'g'c b'n]i" W\ -Z]b]Yf]g'UFY'i gYX'Wb]Z]fa 'h Yn]UFY'W'f]fY'Wim'ic ]b]YX' ]b'U'W'f]X'UbW'k ]h 'a Ubi ZUMi' fYf]g' ]b]g]fi W]c b]g'UbX g]h]Y'c' ]b]b[ 'a U]h]f]U'g'i gYX" X\ -ZUb Y] ]g]b[ 'W]a bYn]U'g'VYb'fYZ fV]g' YX'k ]h U bYk ' ]b]Yf]z'hdY'cf'a U_Y'cZ' ]b]Yf'Z]h]X' Y\ 8YU]g'cZ Zi Y'ci hYh]Yfa ]bU Ci hYh]XYHU' 7ca d]Yg'k ]h. Z. Bi a VY'f]UbX'Ub[ 'Y'cZ'VYbXg" | <b>New masonry chimney with:</b><br><b>Dunbrik A1 concrete flue liners to BSEN1857</b><br><b>300mm internal diameter</b><br><br><b>Tongue downwards into rebate and joined with Dunseal fireproof mortar</b><br><br><b>300mm straight 750mm pot</b><br><b>BSEN13502:2002</b> |        |
| [L Dfc] ]g]c b]g'Z'f'W]Ub]b[ 'UbX'f]W'a a YbXX'Z'Yei YbW]h   | <b>Annually via fireplace opening</b>  |        |
| 7 < YU]h " : cfa 'cZ'W]b]g]fi W]c b"BYk 'cf'Y] ]g]b[   | <b>New</b><br><b>As diagram 25 in ADJ</b>  |        |
| 8 -bgdY]W]c b'UbX'Y]g]b[ 'UZ]f'W'a d'Y]c b H]g]h]f]b'ddYbX]l '9' ]b'58 > &SS&L'UbX'fYgi ]g : i Y' ]bgdY]W]c b'fYgi ]g J ]g] U Gk Y]d]b[ 7cf]b[ 'VU' Ga c_Y Gd] 'U Y  | H]g]g'W]f]YX'ci hVn:   |        |

**I/We the undersigned confirm that the above details are correct. In my opinion, these works comply with the relevant requirements in Part J of Schedule 1 to the Building Regulations.**

|   |       |             |       |
|---|-------|-------------|-------|
| Df]b]h]b]Ua Y/ ]h]Y   | _____ | Dfc'Z]g]c b | _____ |
| 7UdU]m  | _____ | HY'bc       | _____ |
| 5XX'fYg   | _____ | Dc]g]W'XY   | _____ |
| G] ]bYX   | _____ | 8UY         | _____ |
| F Y] ]g]h]YX'a Ya VYf]g'd'cZ'f]r'[" ; U]g'GUZ]m]c: H97z<9H5GzB579zB57GL |       |             |       |